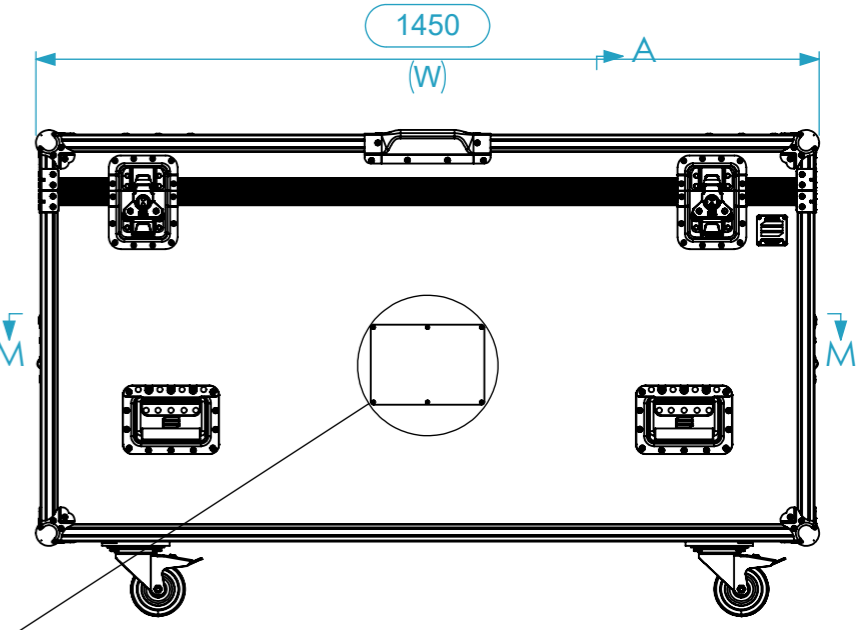
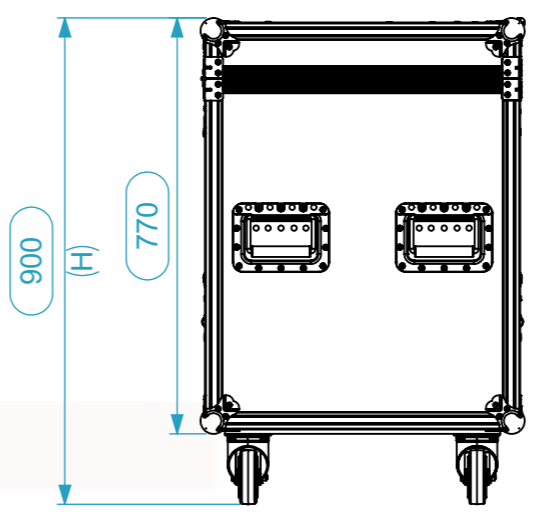
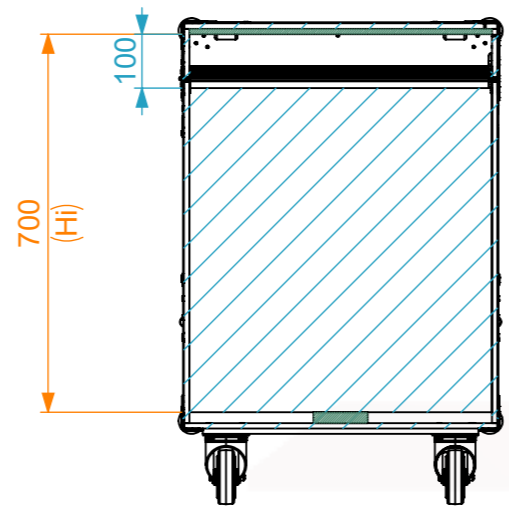
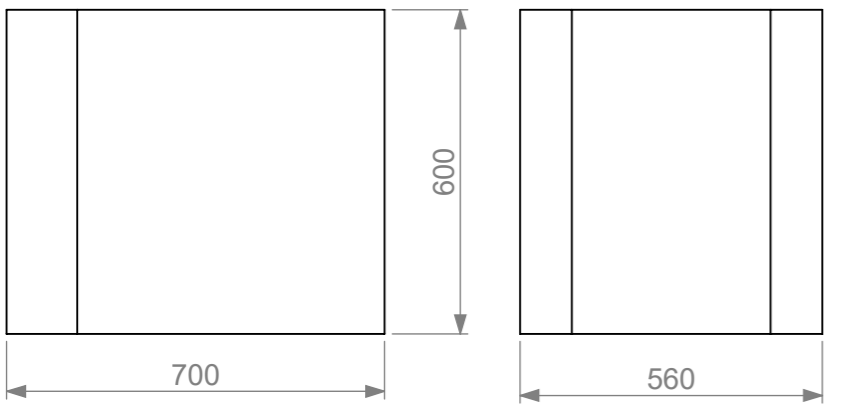
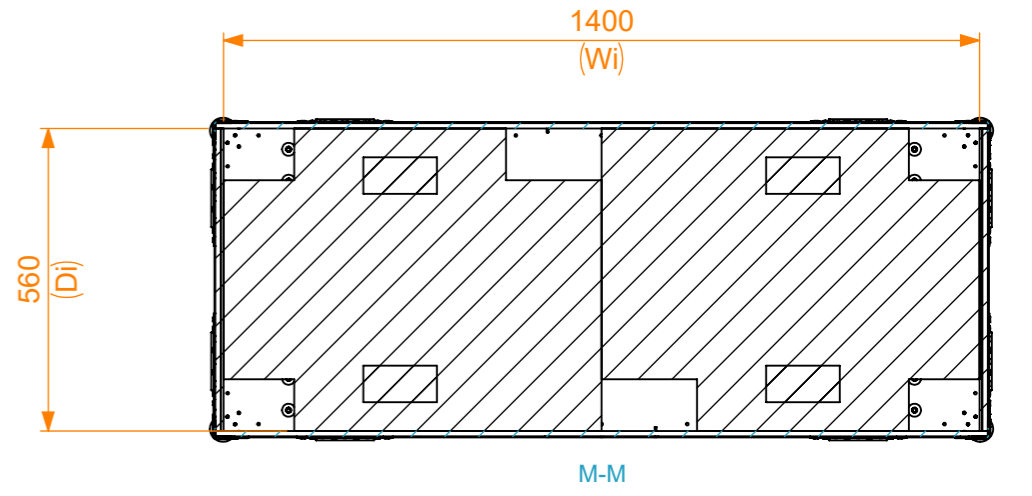
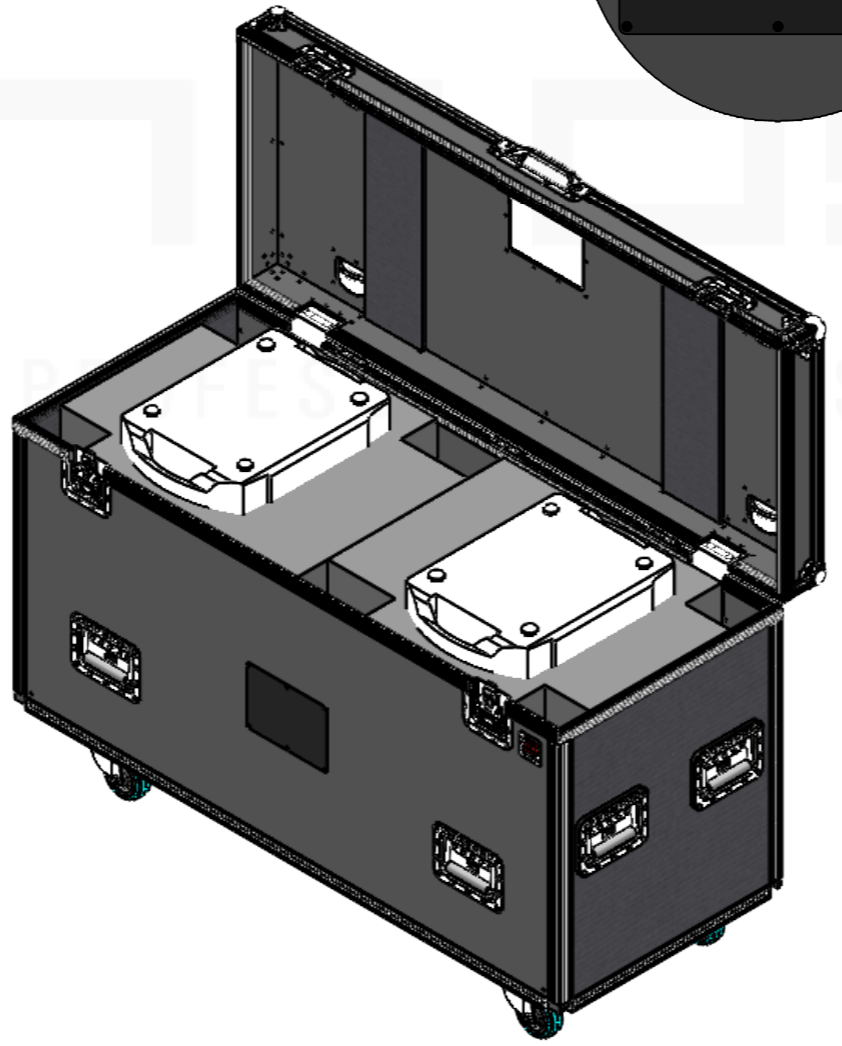
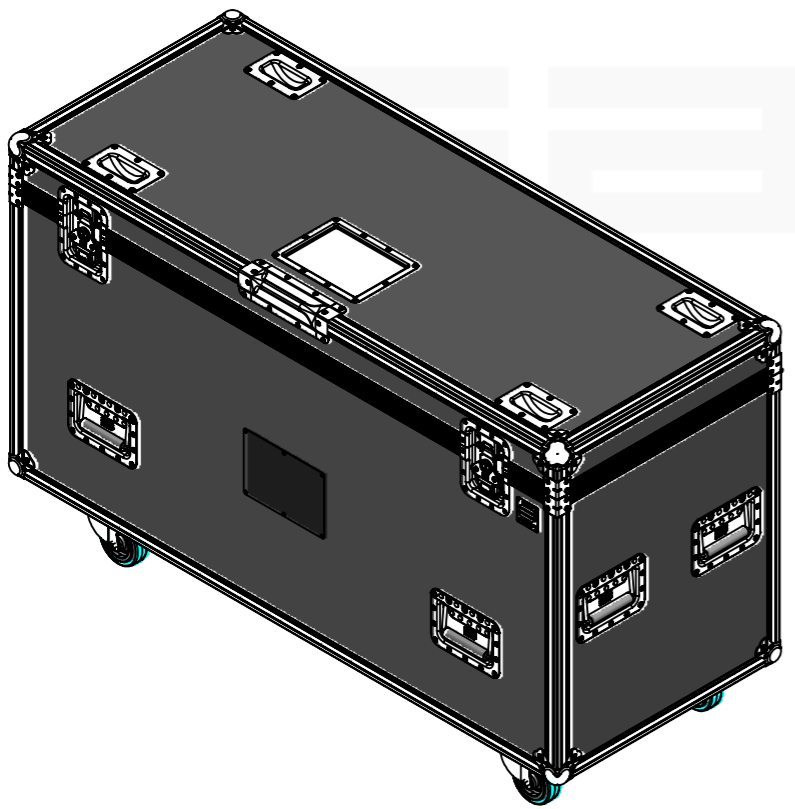
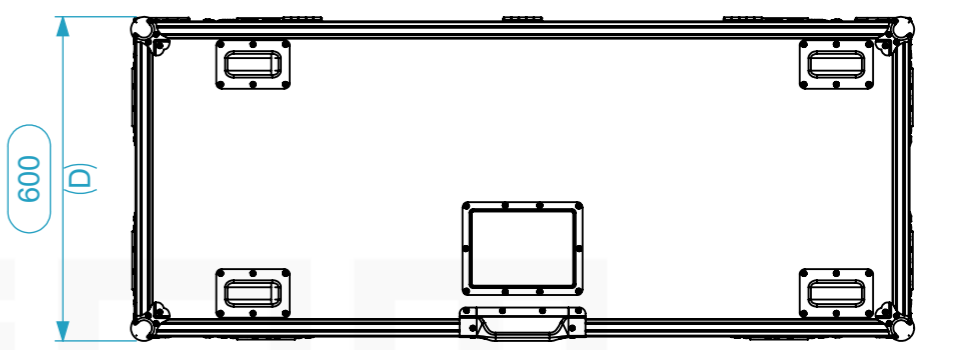
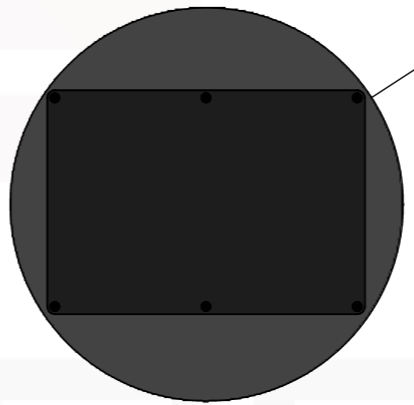


Equipment	Robe iForte Foam Shell	
Width	Depth	Height
700	560	600
Internal Dimensions		
Width	Depth	Height
700	560	670
Weight	Approx. 50 Kg	



A-A
SCALE 1 : 14



General External Dimensions		Usable Inner Dimensions	
W	Width	Wi	Inside Width
D	Depth	Di	Inside Depth
H	Height	Hi	Inside Height

Name	Date
tiago.pais	01/06/2026
Reference	MH1.ROBIF.02N
Scale	1:10
units in mm	general tolerance 0.8mm
DO NOT SCALE	
1st Angle projection	
Flight case PRO, 2x Robe iForte (w/o foam shell)	



A3 This drawing must not be copied or disclosed without consent of the owner