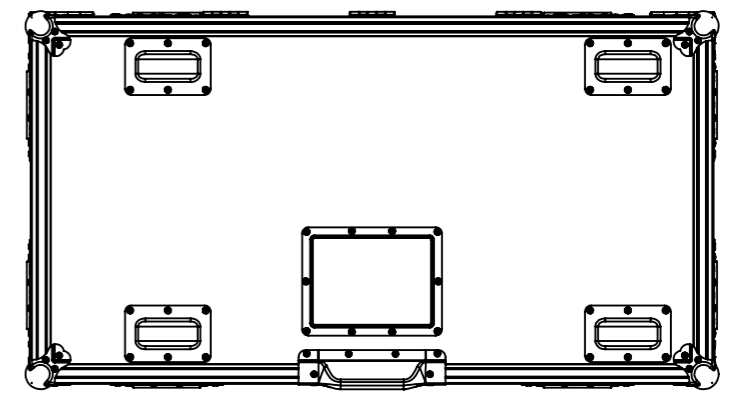
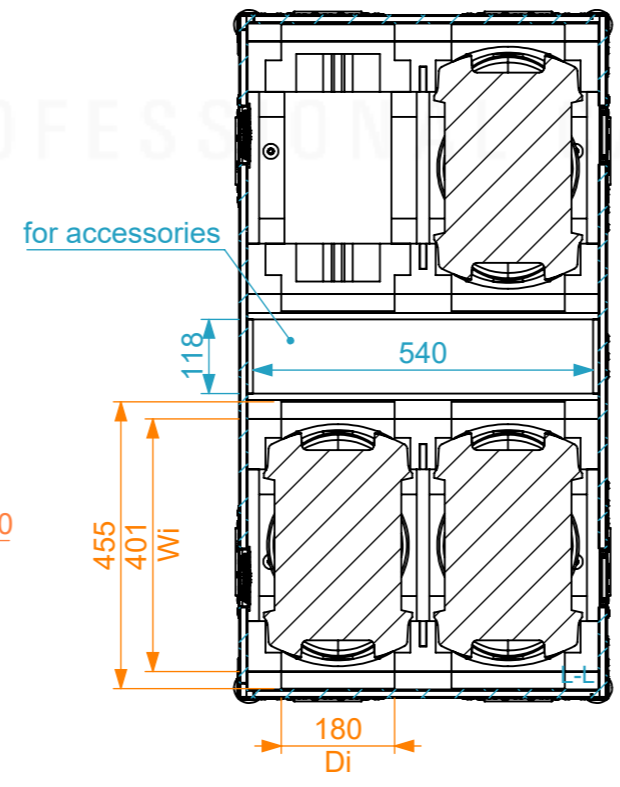
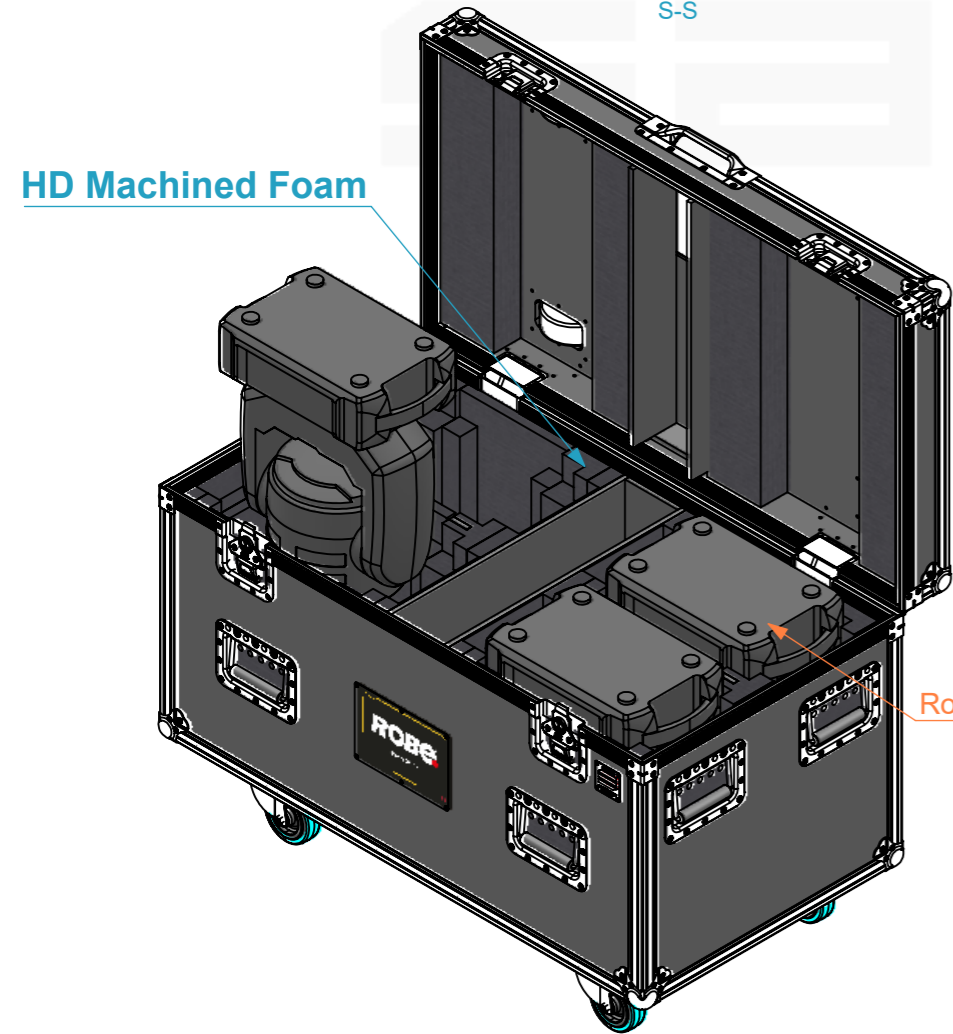
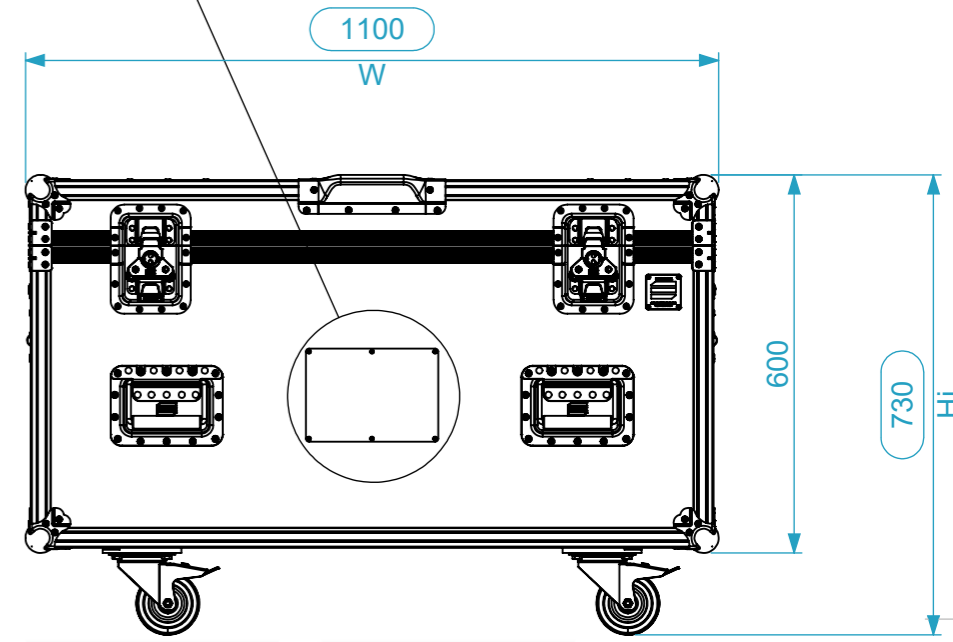
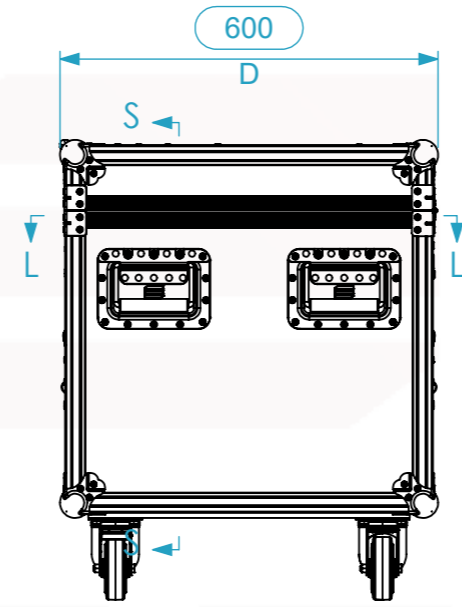
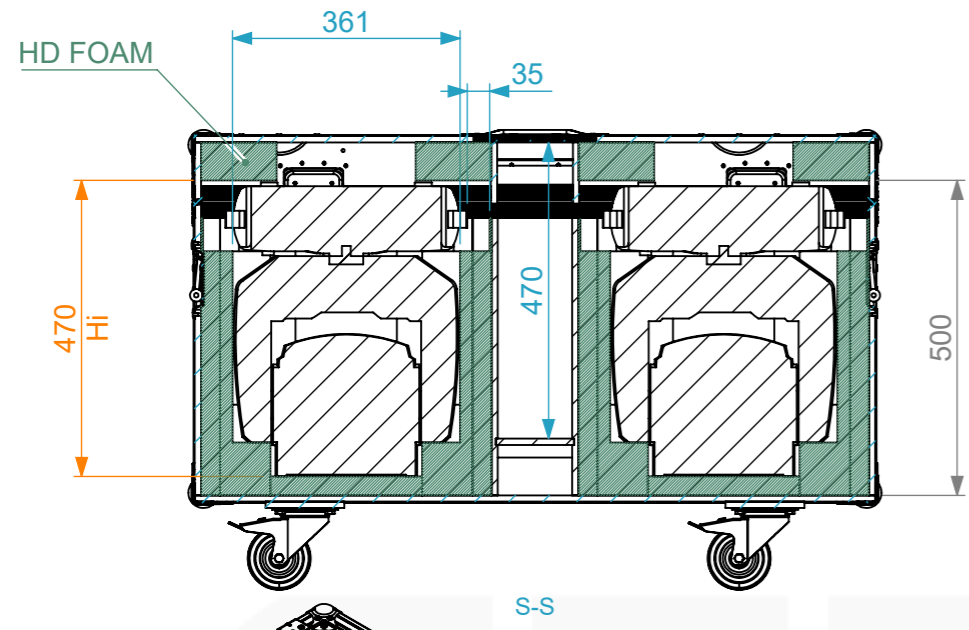
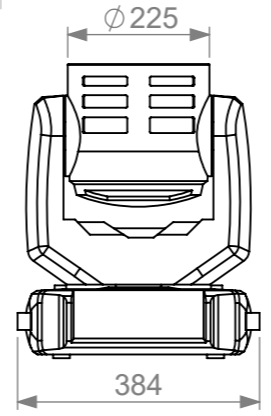
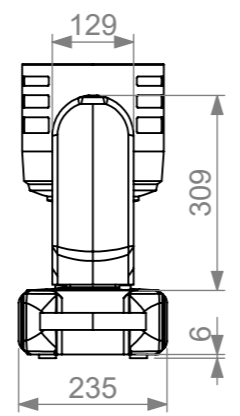


Equipment	Robe LED IBeam 350	
Width	Depth	Height
353	225	466
Weight	Approx. 15.5 Kg	
Internal Dimensions		
Width	Depth	Height
401	180	470
Weight	Approx. 49.28 Kg	
Wall Thickness		10mm



General External Dimensions	
W	Width
D	Depth
H	Height
Usable Inner Dimensions	
Wi	Inside Width
Di	Inside Depth
Hi	Inside Height

Name	rita.monteiro	Date	11/05/2026
Reference	MH1.ROBIB350.04		
Scale	1:12	units in mm	general tolerance 0.8mm
1st Angle projection	Flight case PRO. 4x Robe LED IBeam 350		



This drawing must not be copied or disclosed without consent of the owner

A3