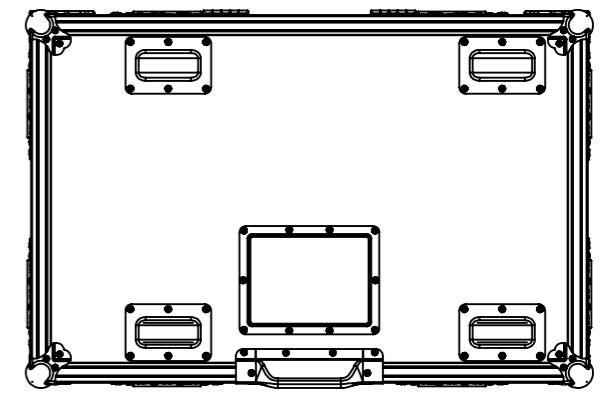
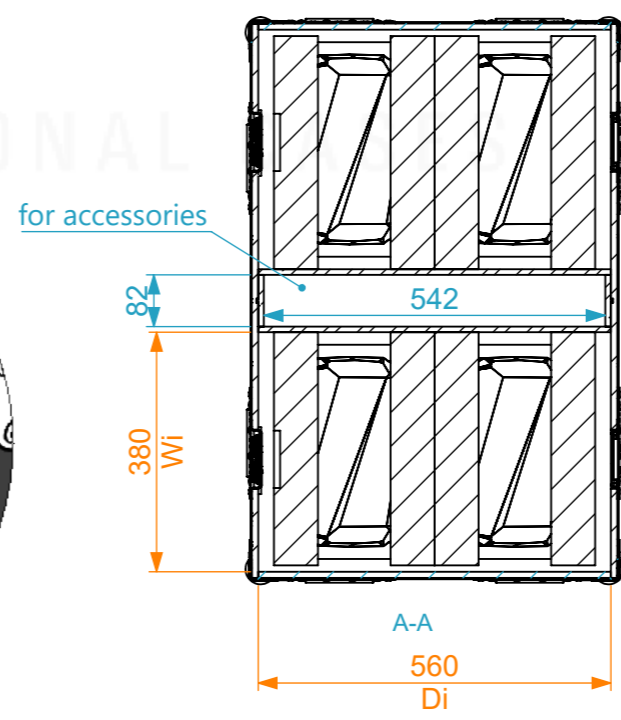
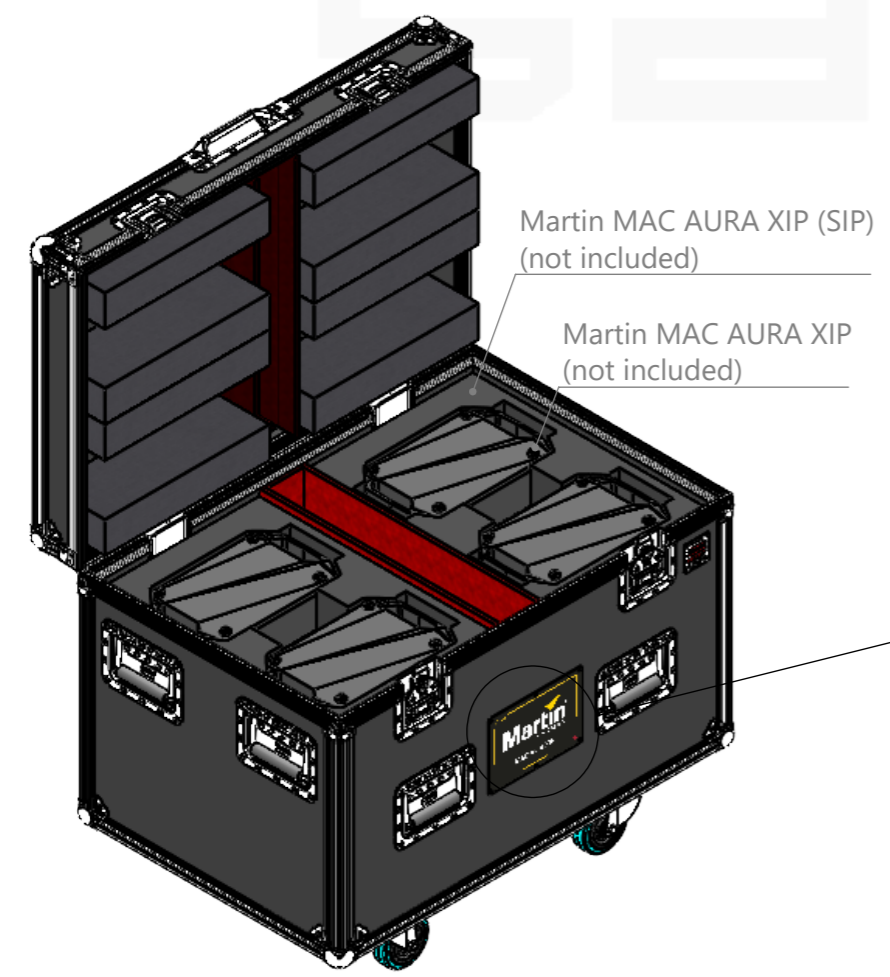
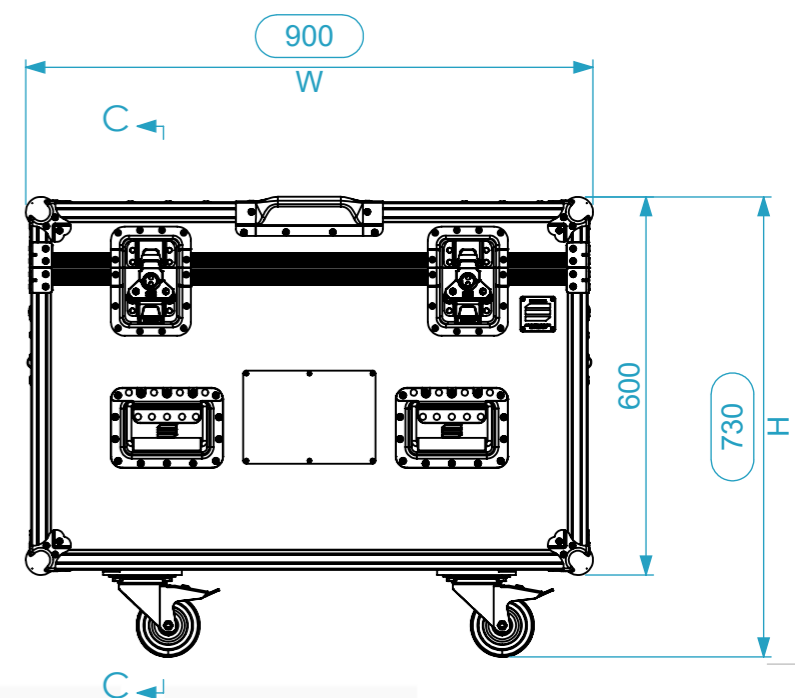
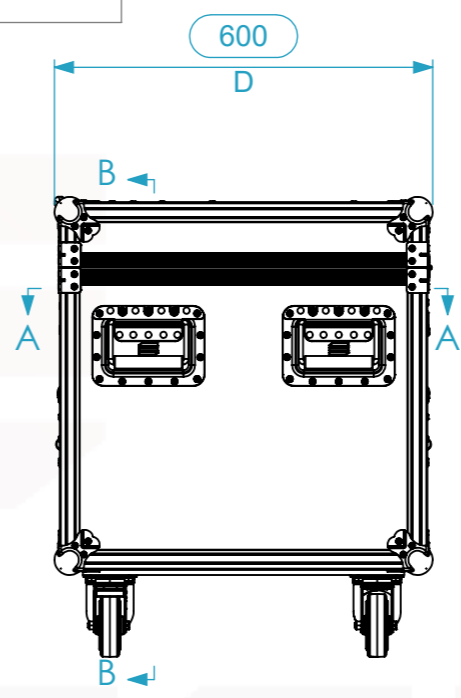
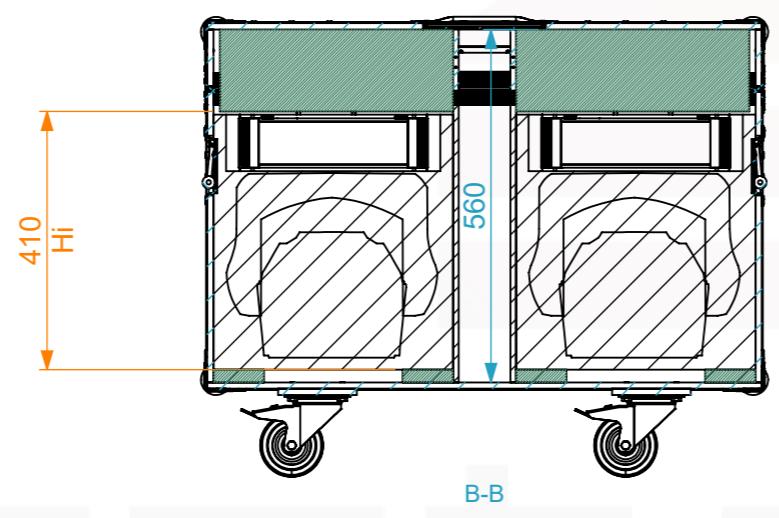
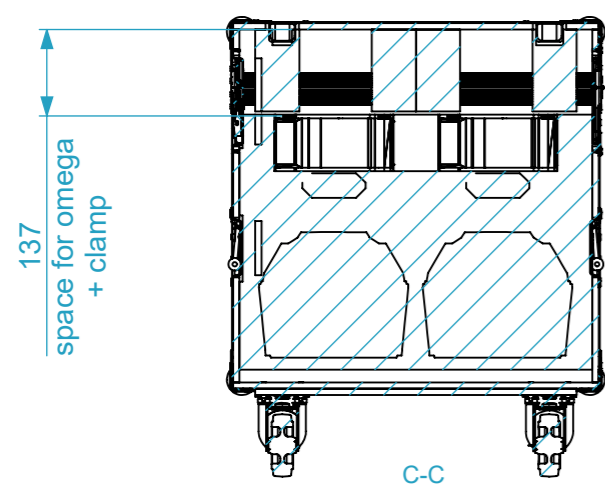
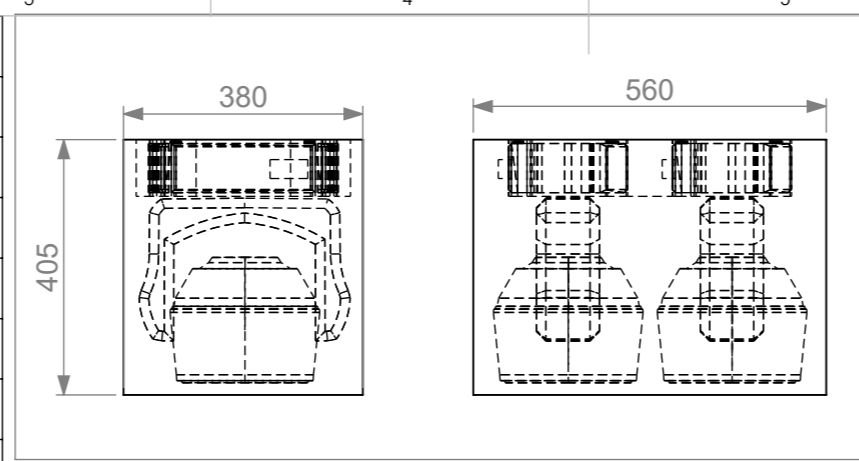


Equipment	Martin MAC AURA XIP (SIP)	
Width	Depth	Height
380	560	405
Internal Dimensions		
Width	Depth	Height
380	560	413
FC Weight	Approx. 39.80 Kg	
Wall Thickness	10mm	



General External Dimensions	
W	Width
D	Depth
H	Height
Usable Inner Dimensions	
Wi	Inside Width
Di	Inside Depth
Hi	Inside Height

Name	CarlaSilva	Date	09/04/2025
Drawn by			
Reference	MH1.MTLAURAX.04NC		
Scale	1:12	units in	mm
		DO NOT SCALE	general tolerance
			0.8mm
1st Angle projection	Flight case PRO. 4x Martin MAC AURA XIP (No Foam)		

This drawing must not be copied or disclosed without consent of the owner

