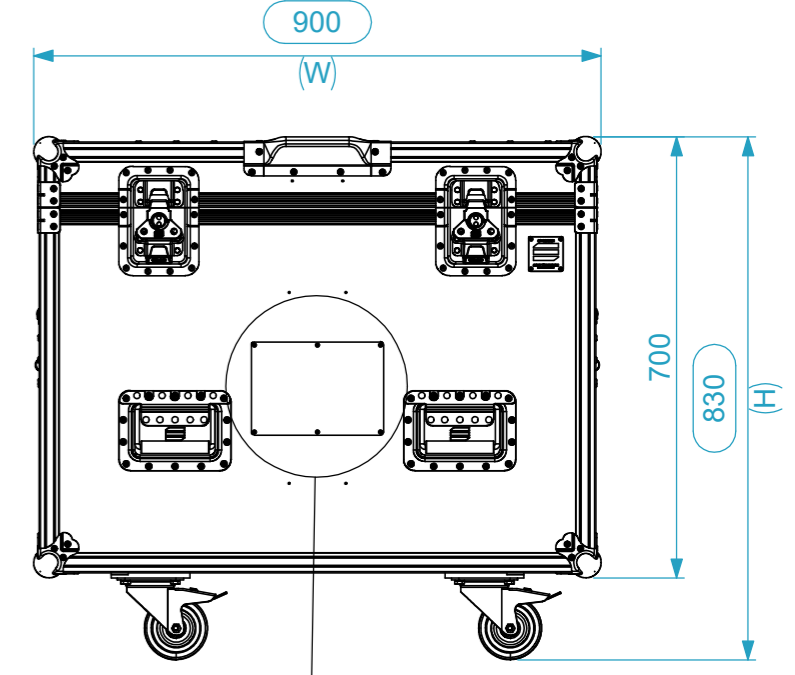
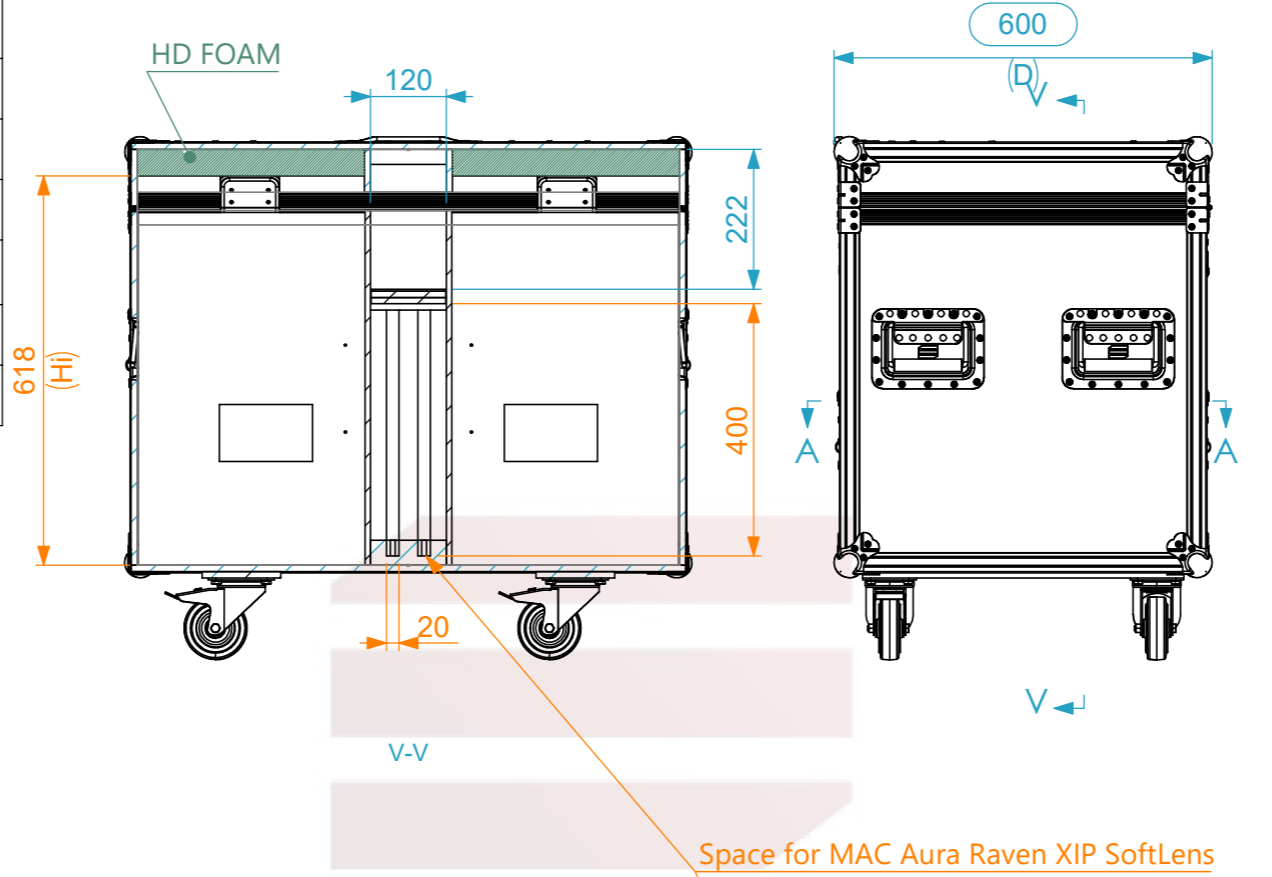
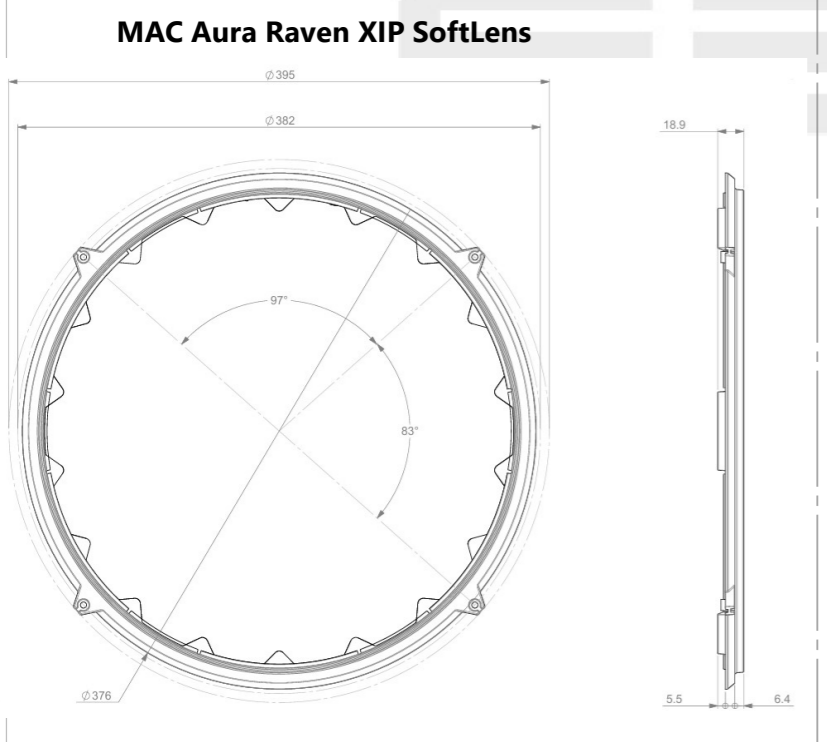
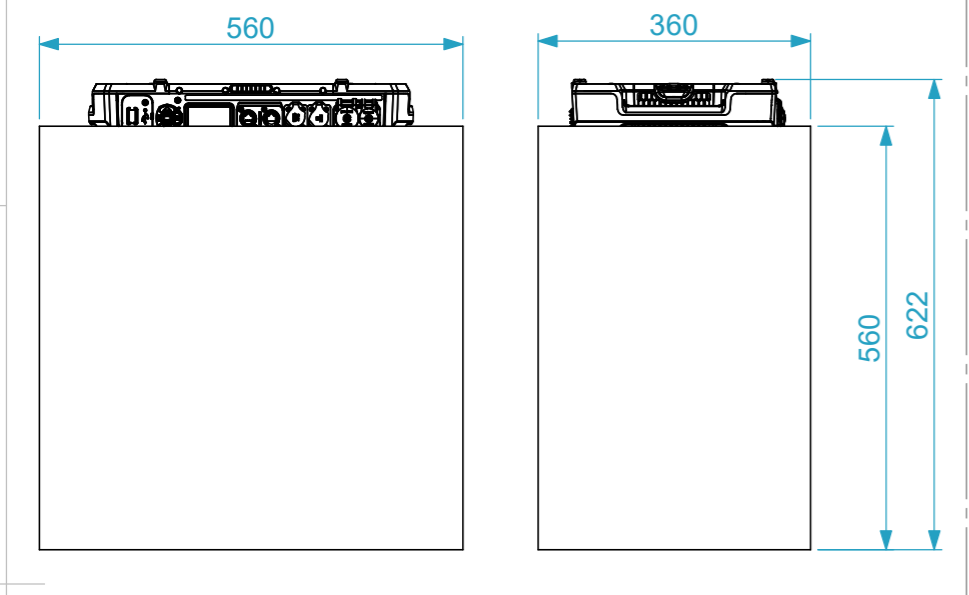
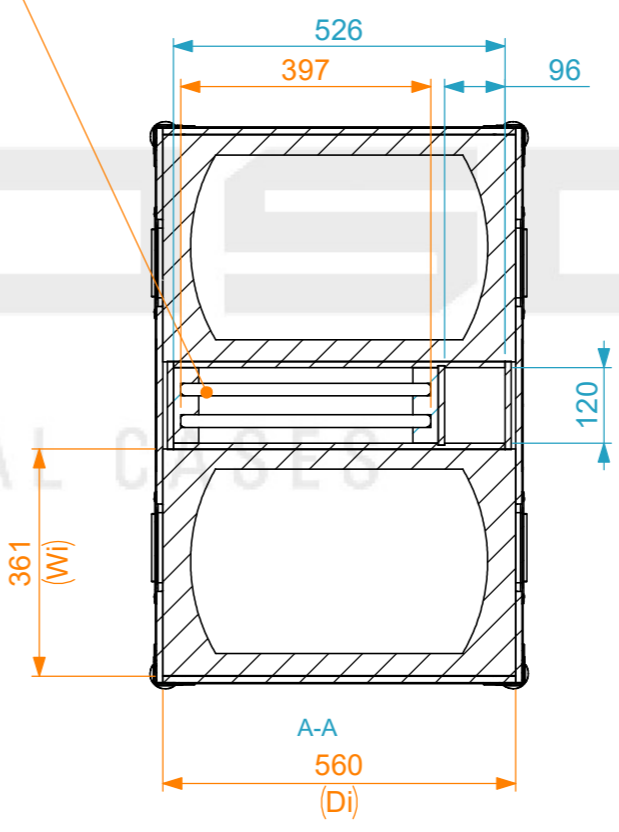


Equipment	Martin MAC AURA RAVEN XIP (SIP)	
Width	Depth	Height
560	360	560
Internal Dimensions		
Width	Depth	Height
361	560	618
FC Weight	Approx. 44.42 Kg	
Wall Thickness	10mm	



Space for MAC Aura Raven XIP SoftLens



Martin MAC AURA RAVEN XIP (SIP)
(not included)

Martin MAC AURA RAVEN XIP
(not included)

General External Dimensions	
W	Width
D	Depth
H	Height
Usable Inner Dimensions	
Wi	Inside Width
Di	Inside Depth
Hi	Inside Height

Name	jose.couto	
Date	24/04/2026	
Reference	MH1.MTLAURARX.02N	
Scale	1:12	units in mm
Scale	DO NOT SCALE	general tolerance 0.8mm
Scale	Flight case PRO, 2x Martin AURA RAVEN XIP (no foam Shell)	



This drawing must not be copied or disclosed without consent of the owner



A3