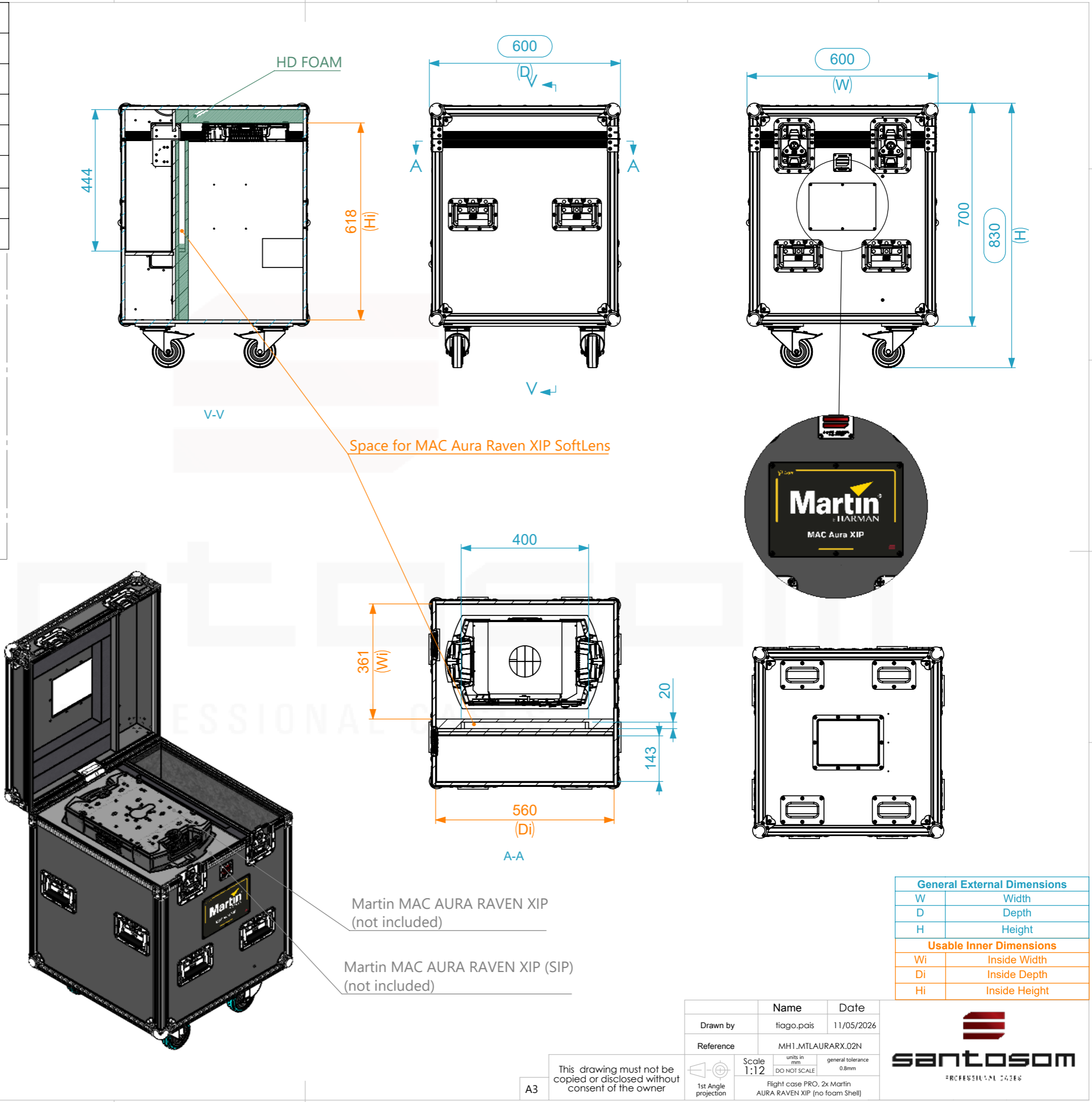
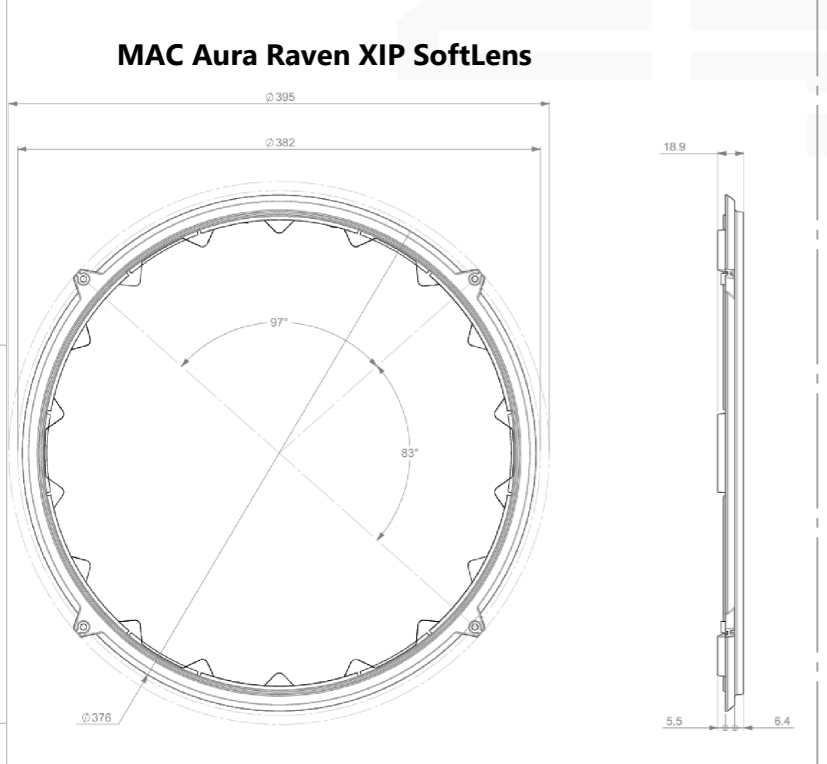
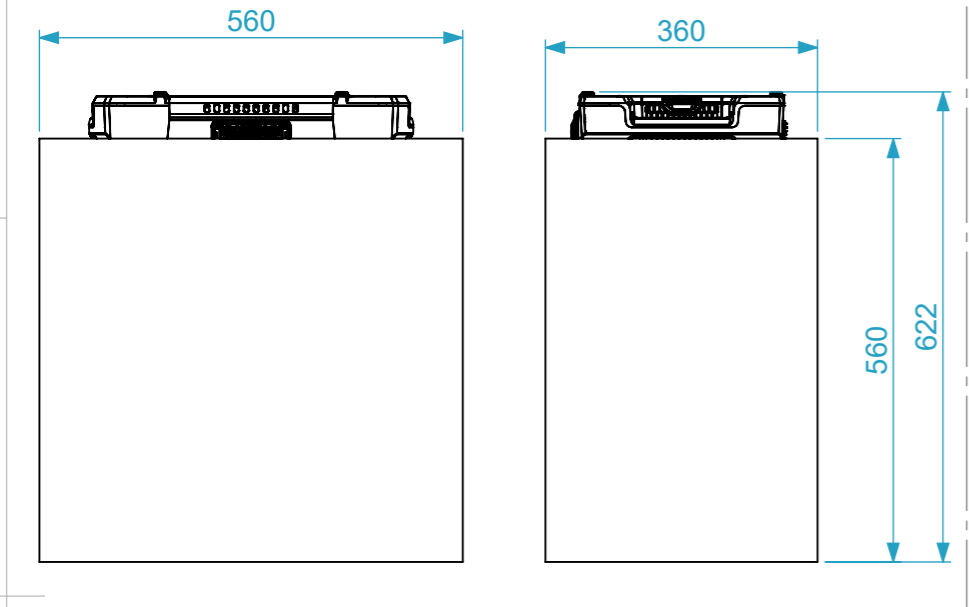


Equipment	Martin MAC AURA RAVEN XIP (SIP)	
Width	Depth	Height
560	360	560
Internal Dimensions		
Width	Depth	Height
361	560	618
FC Weight	Approx. 32.64 Kg	
Wall Thickness	10mm	



General External Dimensions	
W	Width
D	Depth
H	Height
Usable Inner Dimensions	
Wi	Inside Width
Di	Inside Depth
Hi	Inside Height

Name	tiago.pais	Date	11/05/2026
Reference	MH1.MTLAURARX.02N		
Scale	1:12	units in mm	DO NOT SCALE
general tolerance	0.8mm		
Flight case PRO, 2x Martin AURA RAVEN XIP (no foam Shell)			



This drawing must not be copied or disclosed without consent of the owner



A3