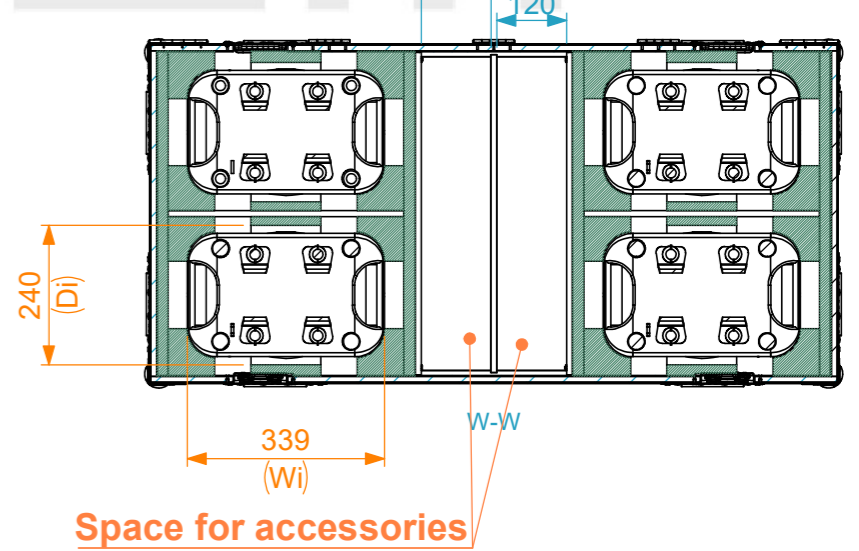
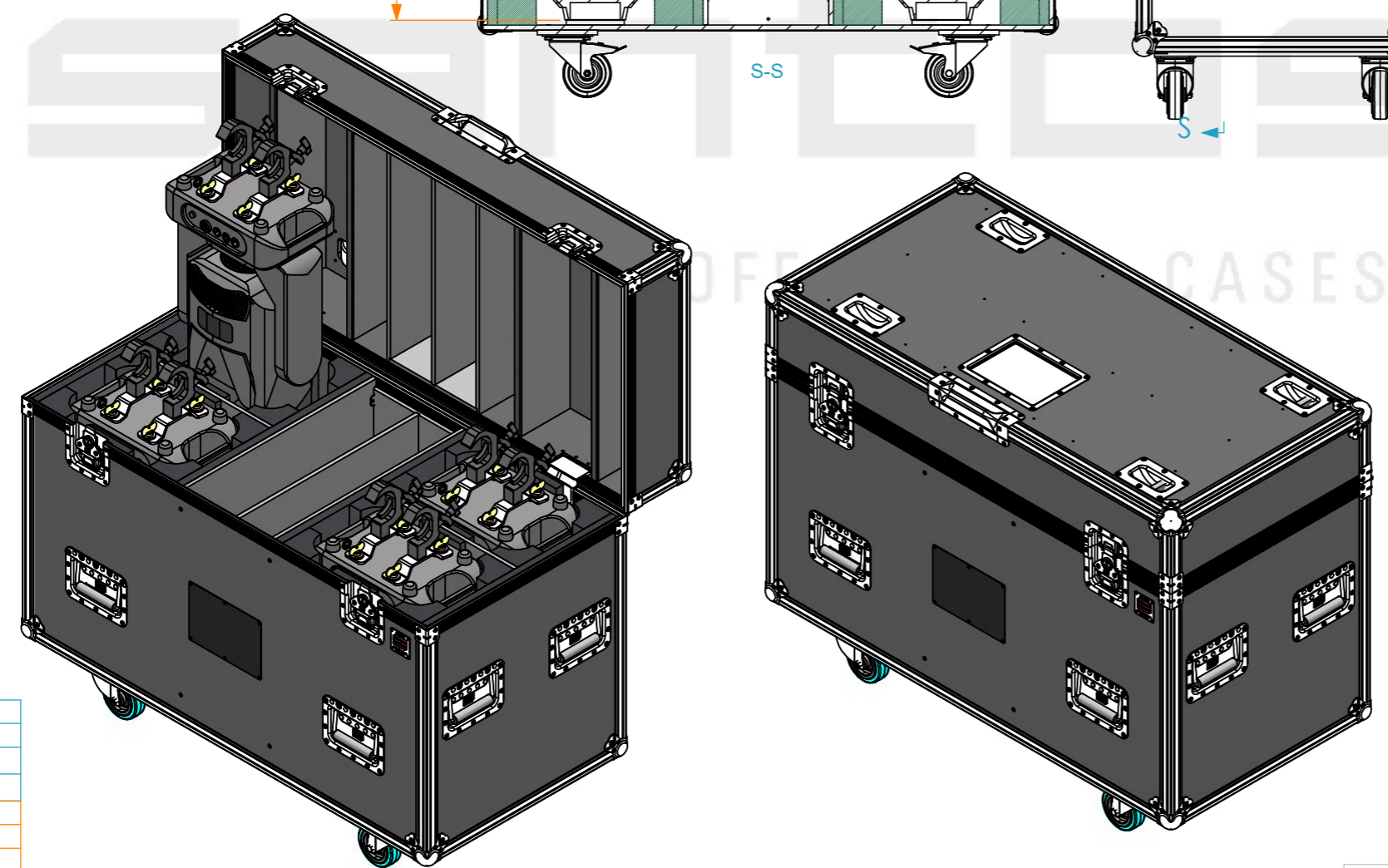
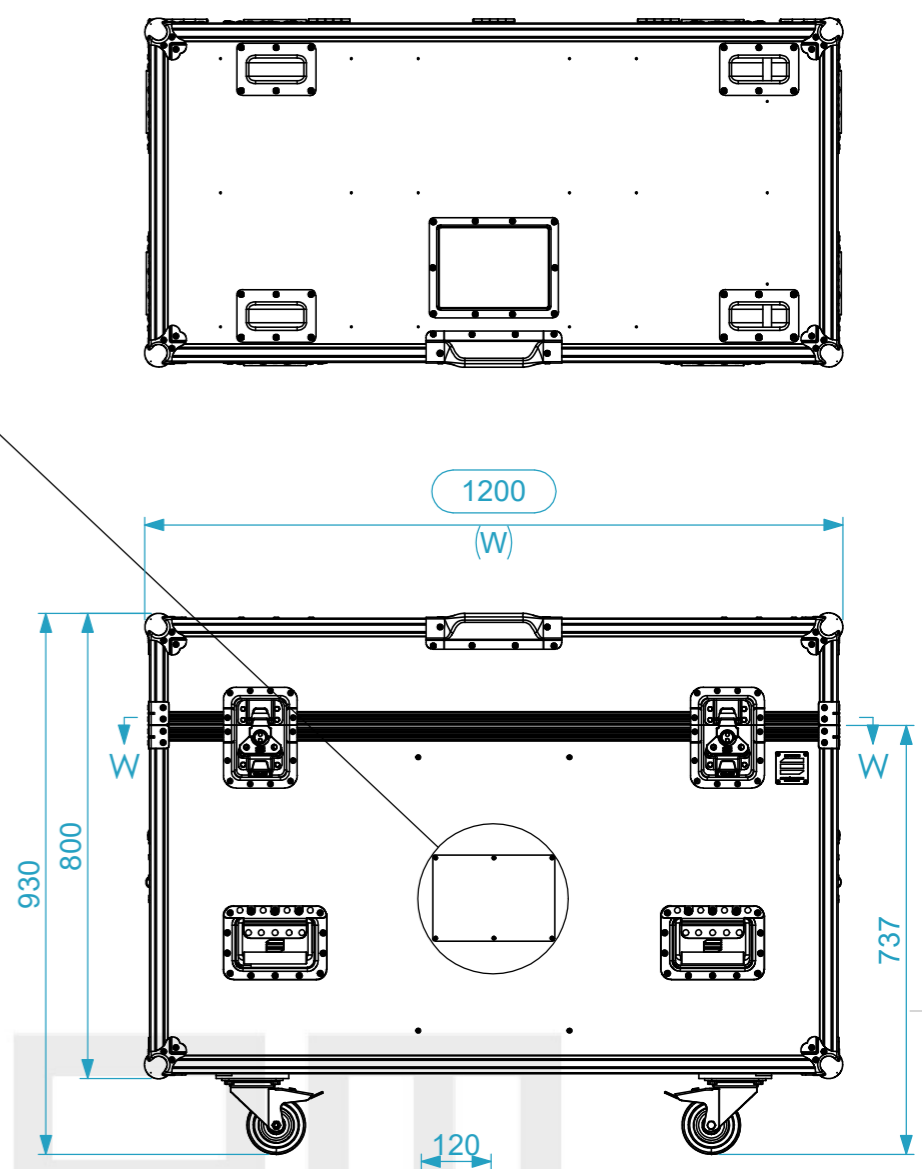
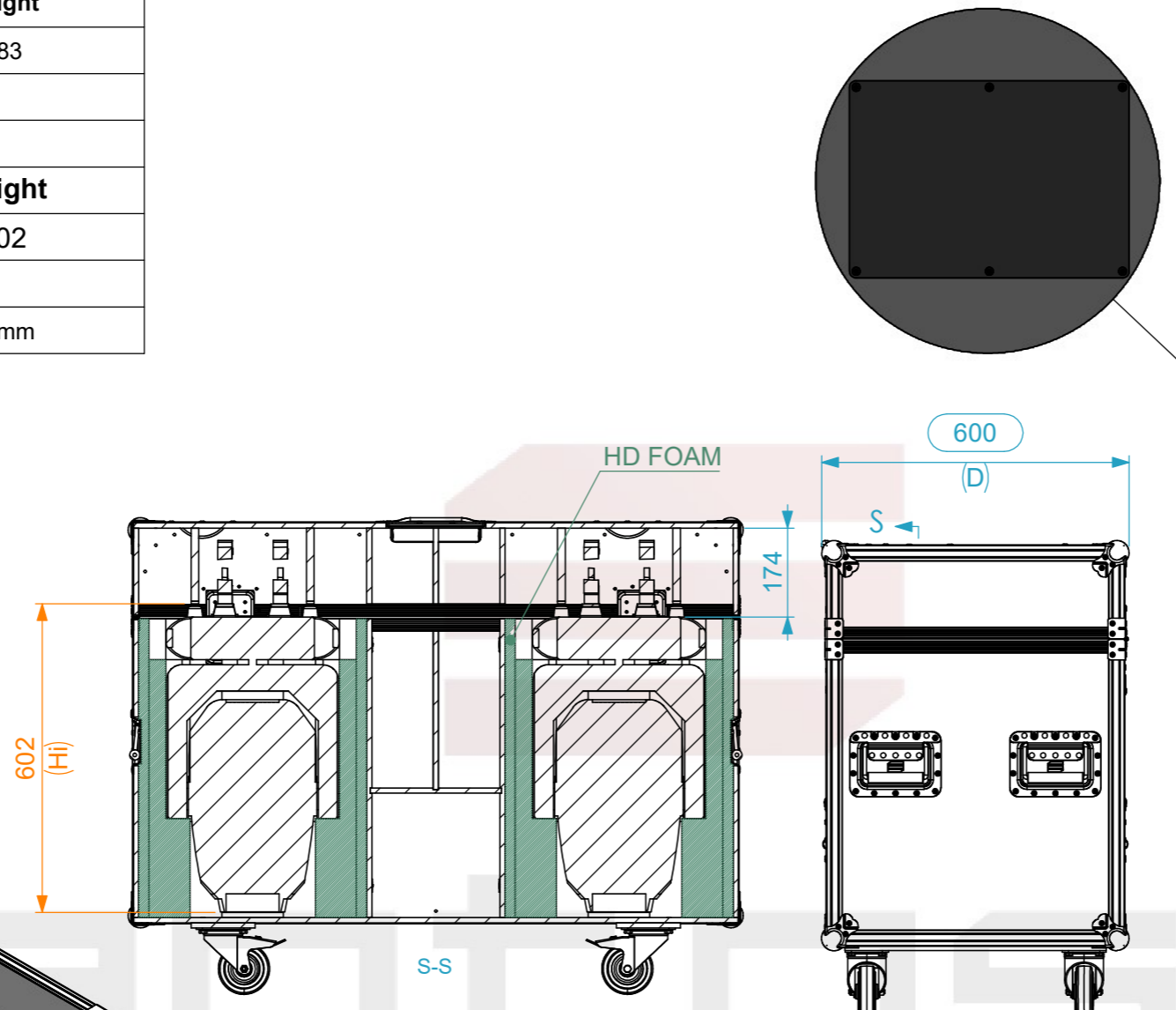
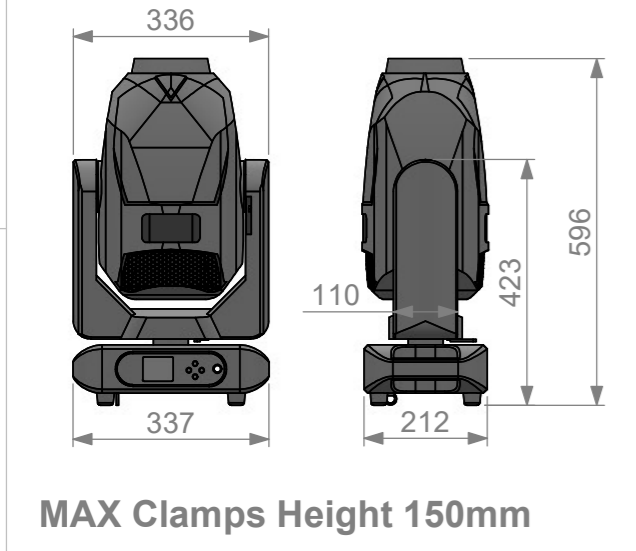


Equipment			Eagle Lite SMART HYBRID300		
Width	Depth	Height			
337	212	583			
Weight	Approx. 15Kg				
Internal Dimensions					
Width	Depth	Height			
339	215	602			
Weight	Approx. 67 Kg				
Wall Thickness		10mm			



General External Dimensions	
W	Width
D	Depth
H	Height
Usable Inner Dimensions	
Wi	Inside Width
Di	Inside Depth
Hi	Inside Height

A3 This drawing must not be copied or disclosed without consent of the owner

Drawn by	Name	Date
catarina.silva	catarina.silva	15/05/2026
Reference	MH1.EGLSH3.04C	
Scale	units in mm	general tolerance
1:13	DO NOT SCALE	0.8mm
1st Angle projection	Flight case PRO, 4x Eagle Lite SMART HYBRID300	

