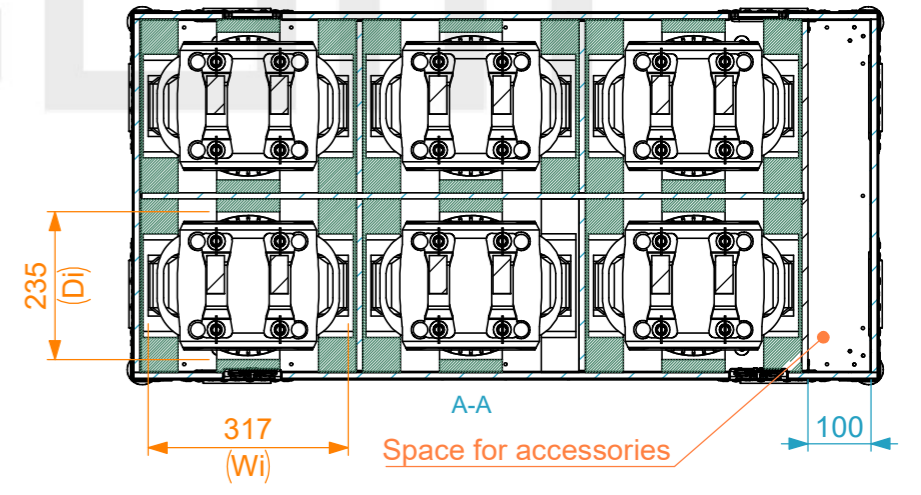
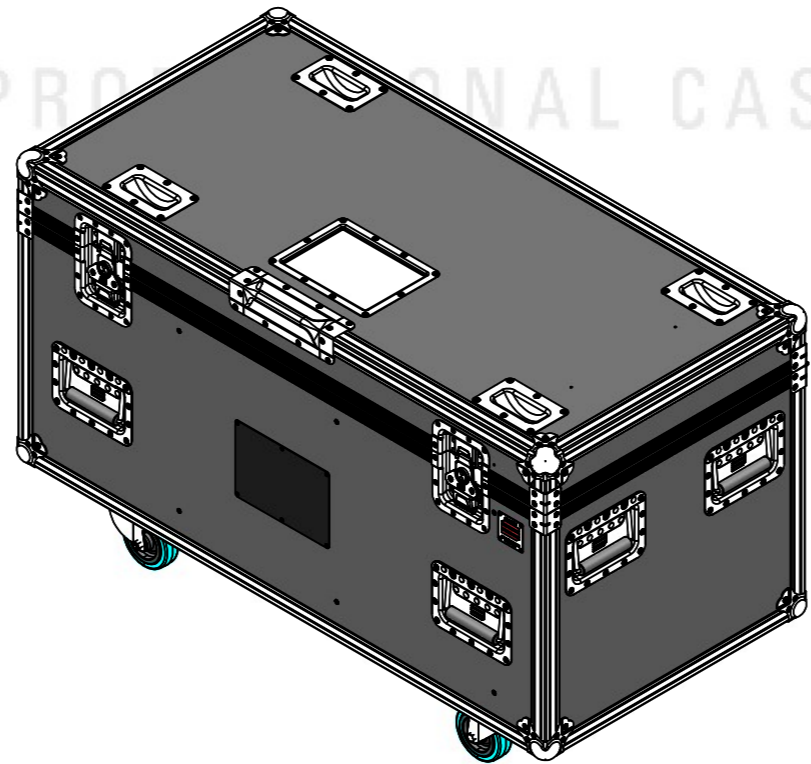
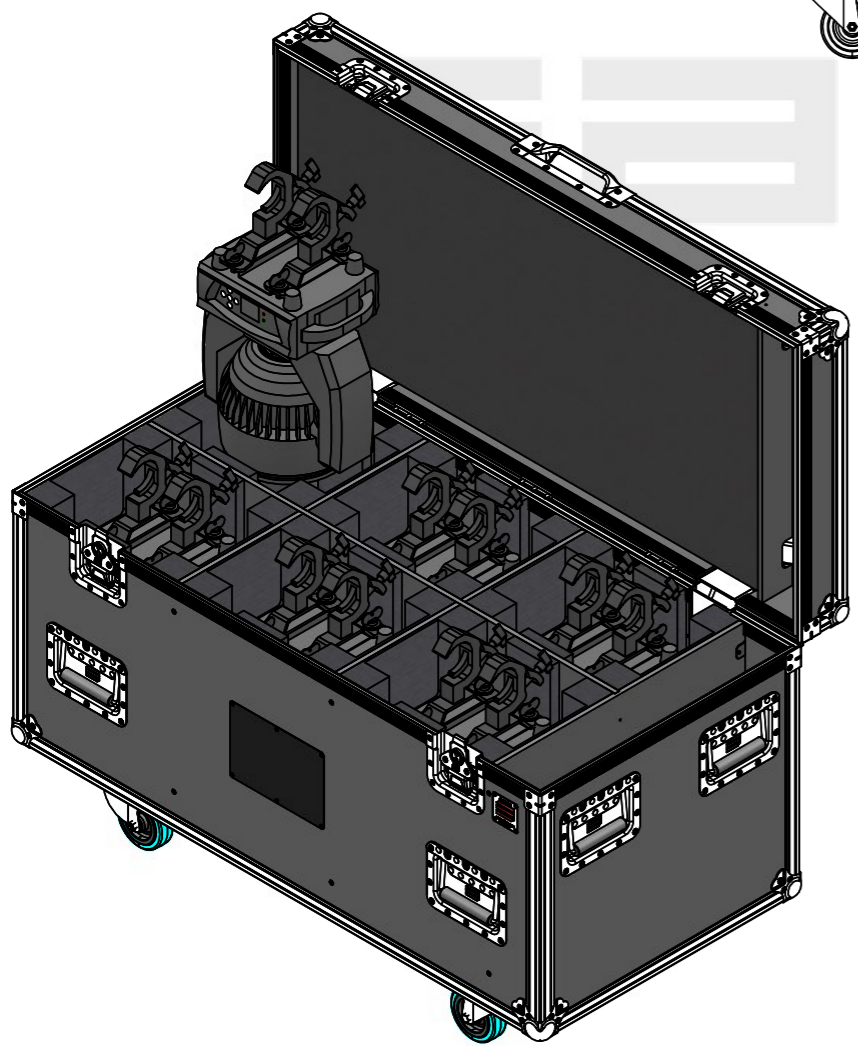
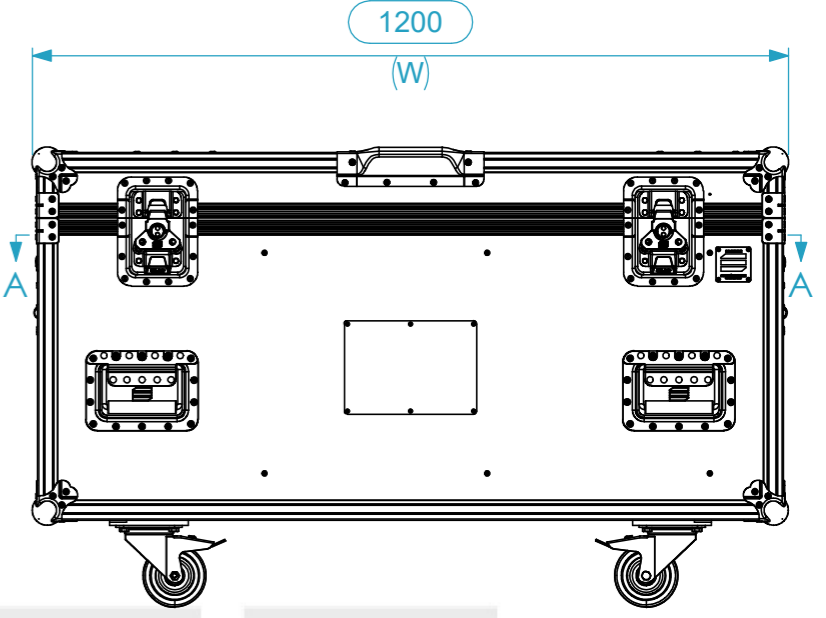
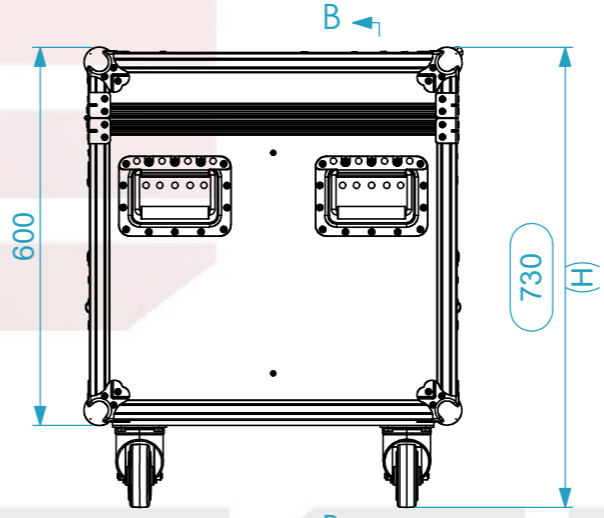
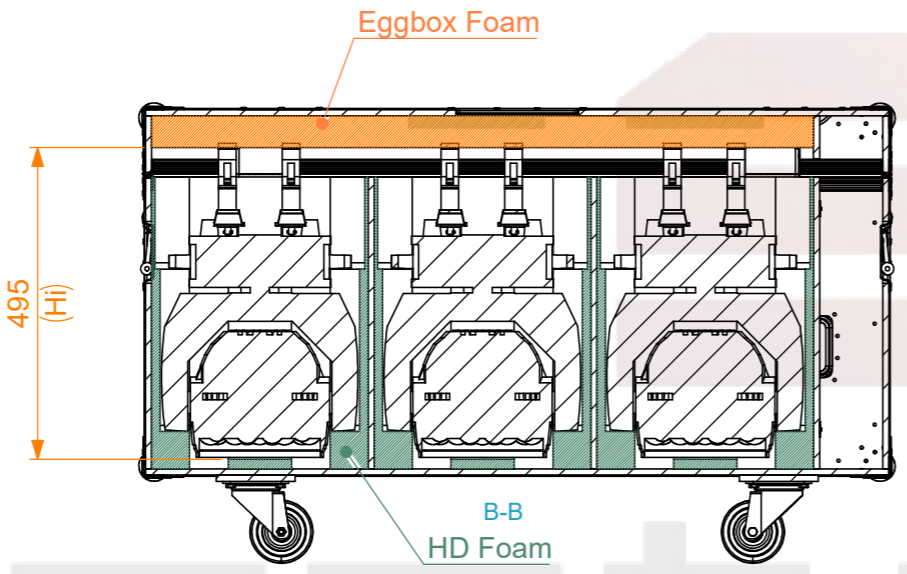
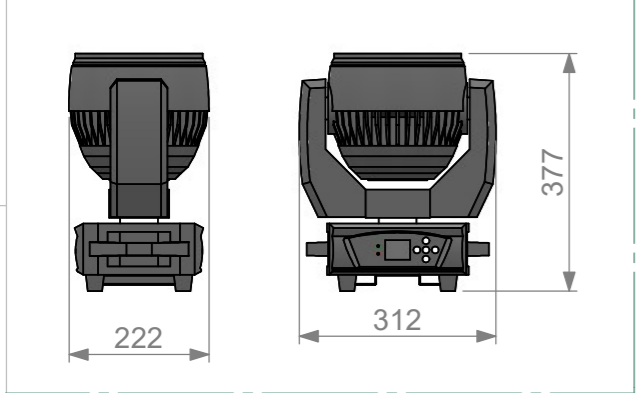
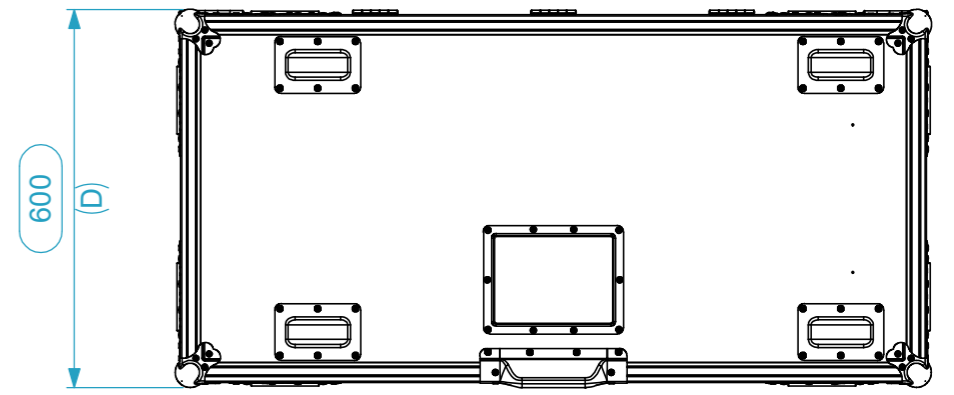


Equipment	Eagle Lite QUAD19 WASH - 19X15W	
Width	Depth	Height
312	222	364
Weight	Approx. 8 Kg	
Internal Dimensions		
Width	Depth	Height
311	235	495
Weight	Approx. 53 Kg	
Wall Thickness	10mm	



General External Dimensions		Usable Inner Dimensions	
W	Width	Wi	Inside Width
D	Depth	Di	Inside Depth
H	Height	Hi	Inside Height

Name	catarina.silva	Date	19/03/2026
Reference	MH1.EGLQ19W.06C		
Scale	1:12	units in mm	general tolerance 0.8mm
1st Angle projection	Flight case PRO. 6x Eagle Lite QUAD19 WASH - 19X15W		



This drawing must not be copied or disclosed without consent of the owner

A3