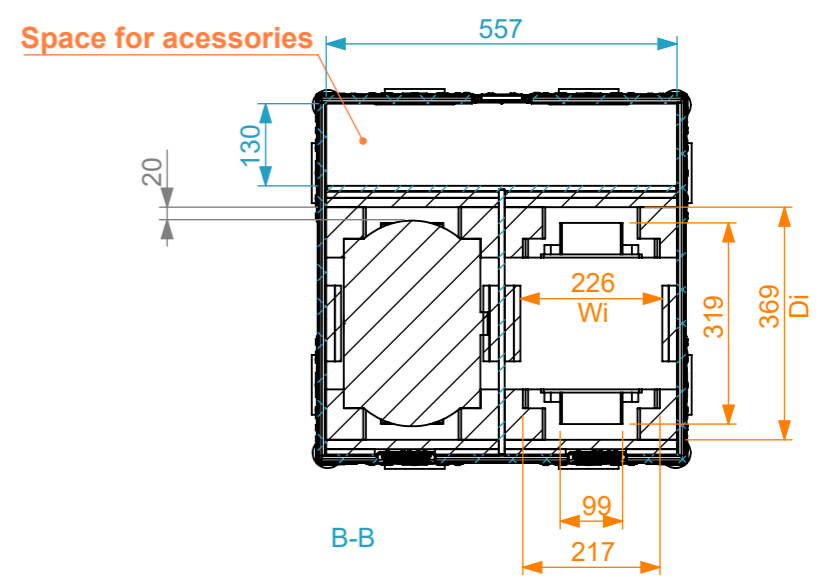
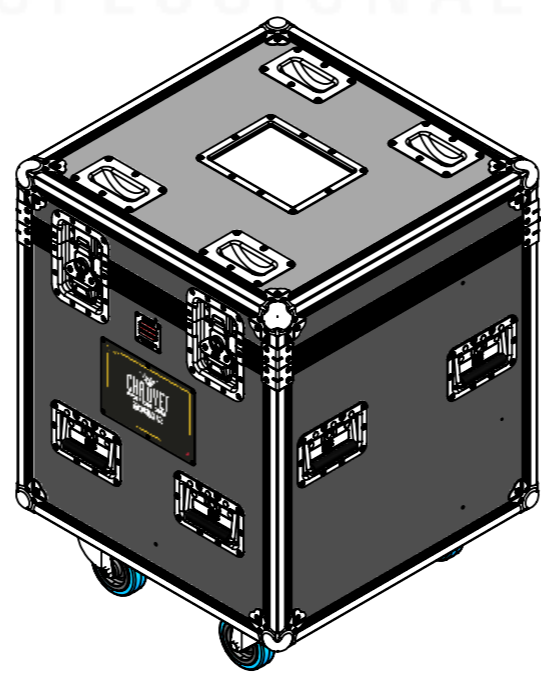
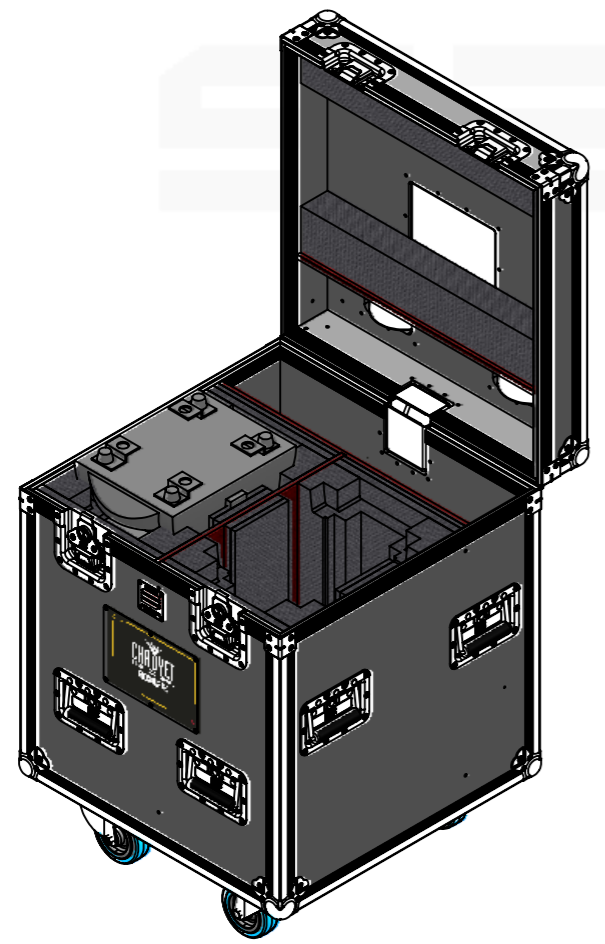
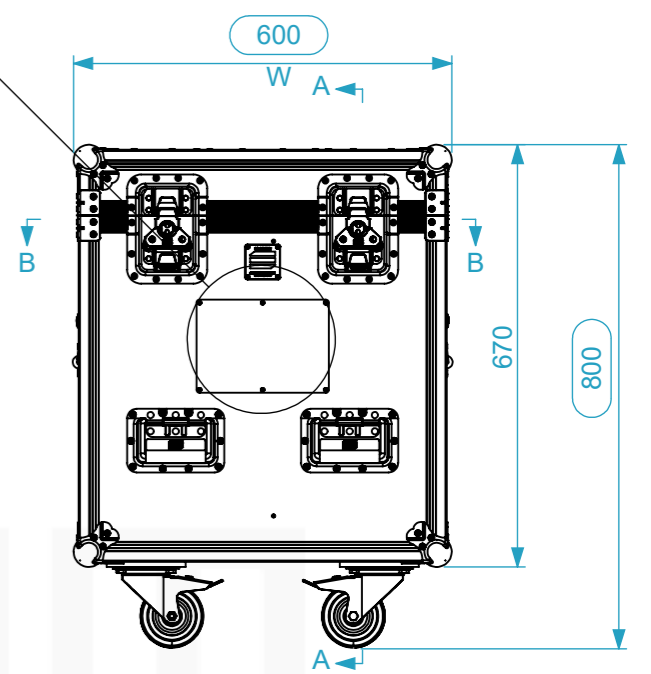
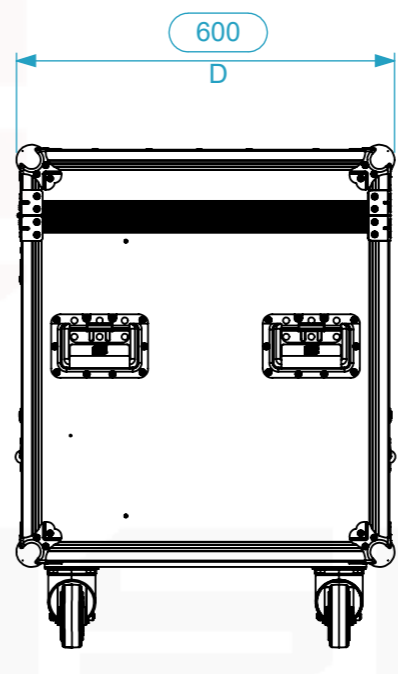
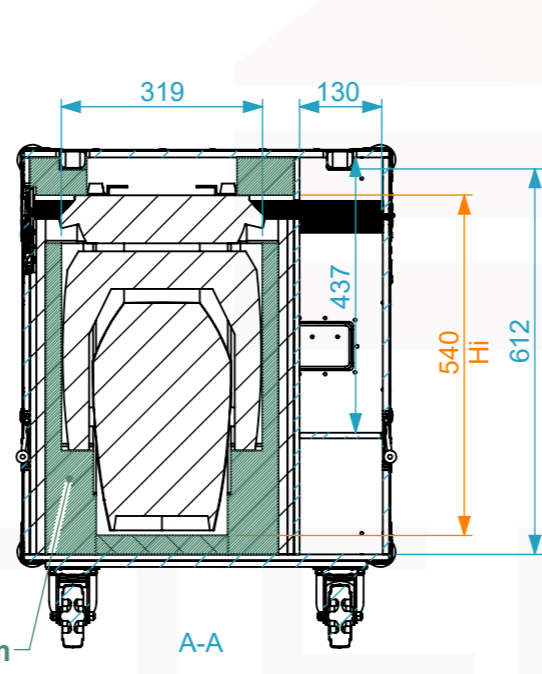
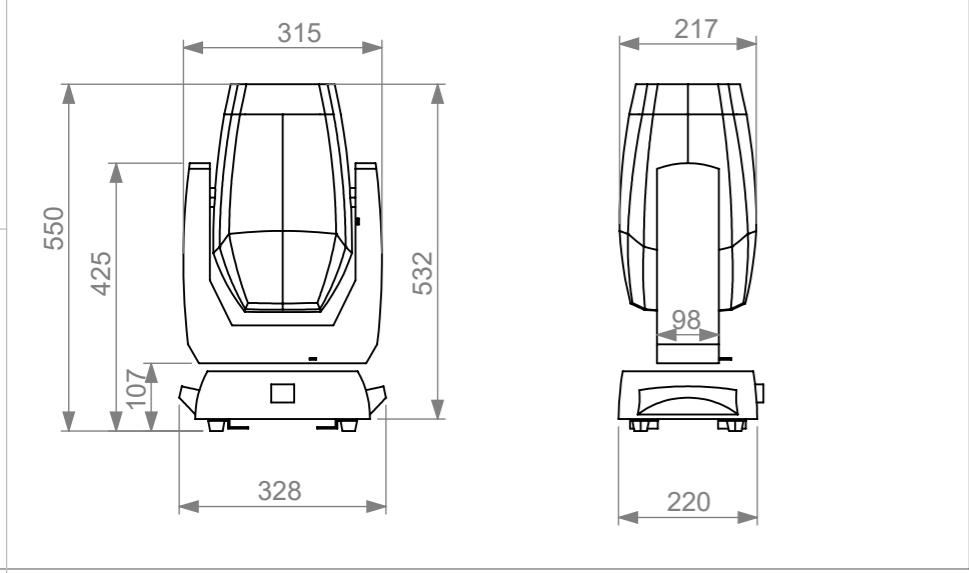


Equipment	Chauvet Rogue R3 Beam	
Width	Depth	Height
330	217	550
Weight	Approx. 15.6 Kg	
Internal Dimensions		
Width	Depth	Height
217	369	540
FC Weight	Approx. 34.61 Kg	
Wall Thickness		10mm



General External Dimensions		Usable Inner Dimensions	
W	Width	Wi	Inside Width
D	Depth	Di	Inside Depth
H	Height	Hi	Inside Height

A3 This drawing must not be copied or disclosed without consent of the owner

Name	Date
CarlaSilva	02/12/2024
Reference	MH1.CHVR3B.02
Scale	1:12
units in mm	general tolerance 0.8mm
DO NOT SCALE	
1st Angle projection	
Flight case PRO, 2x Chauvet Rogue R3 Beam	

