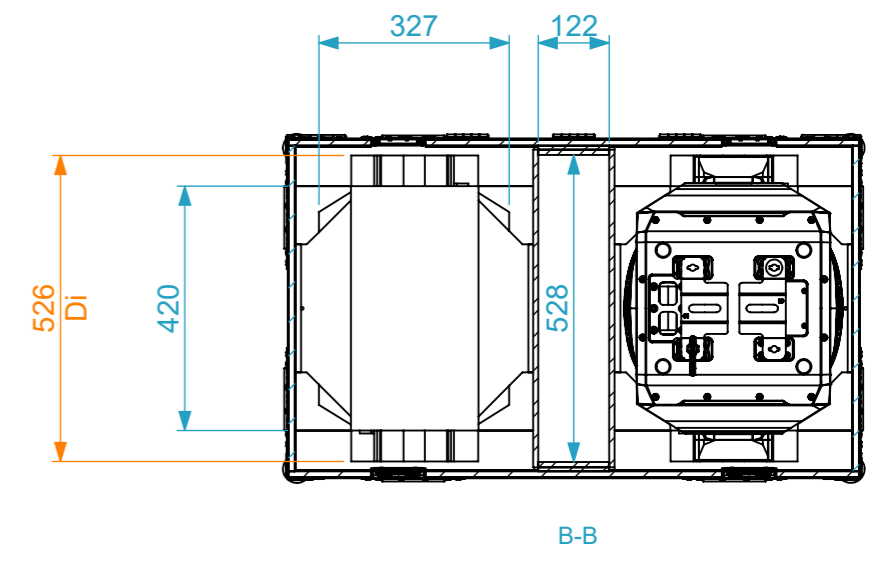
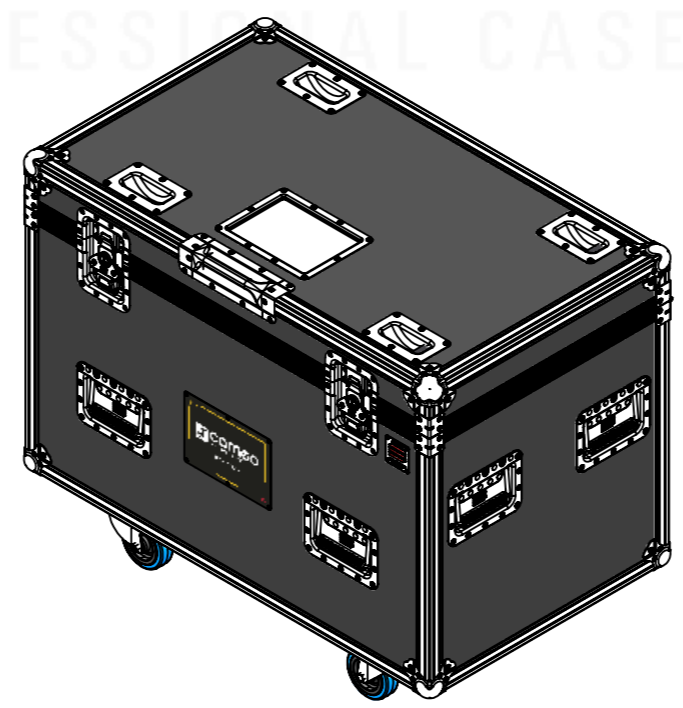
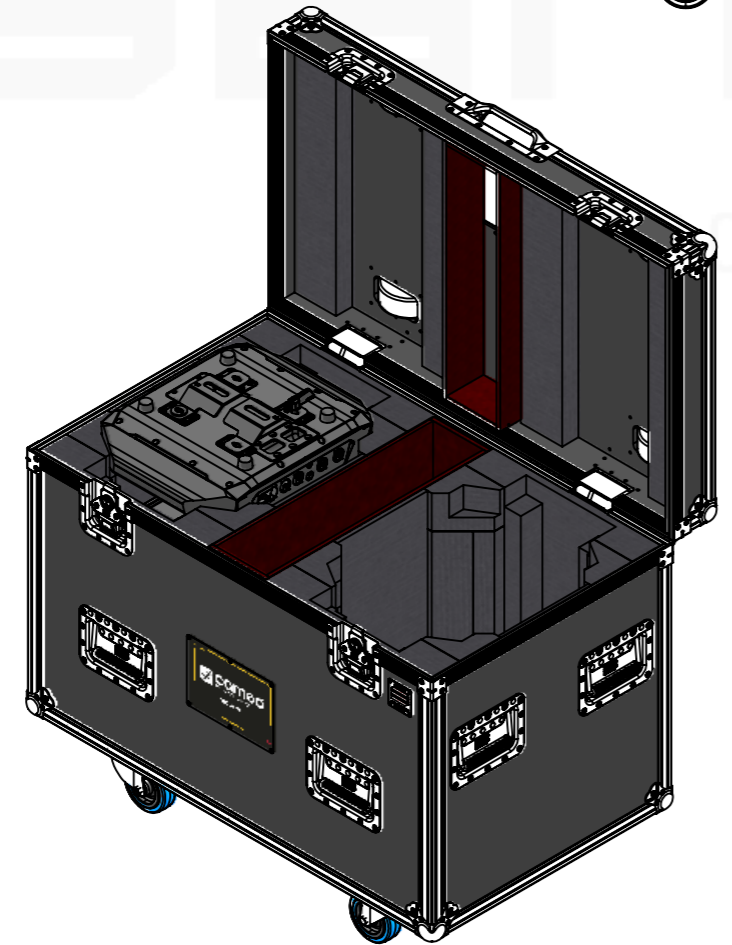
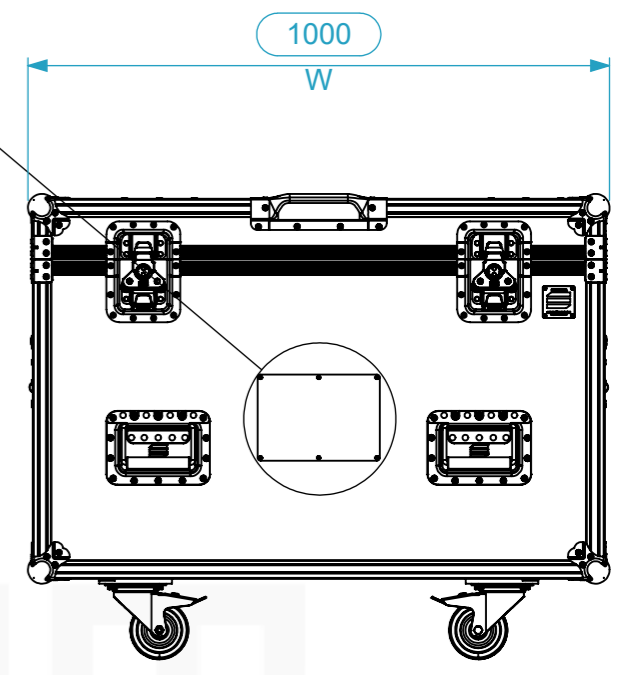
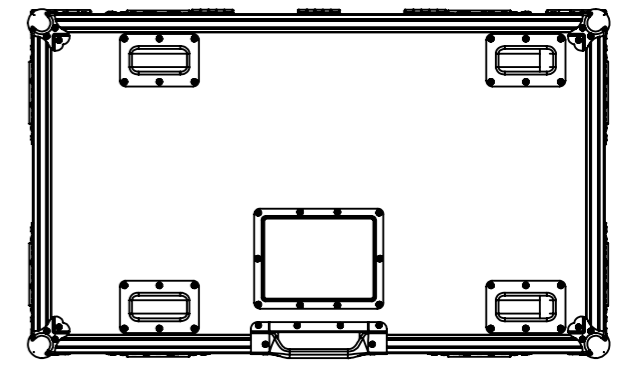
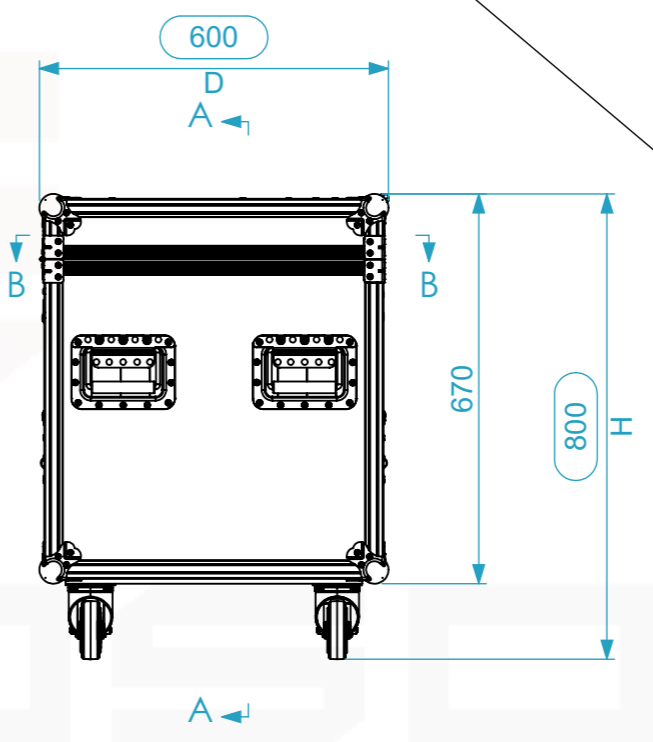
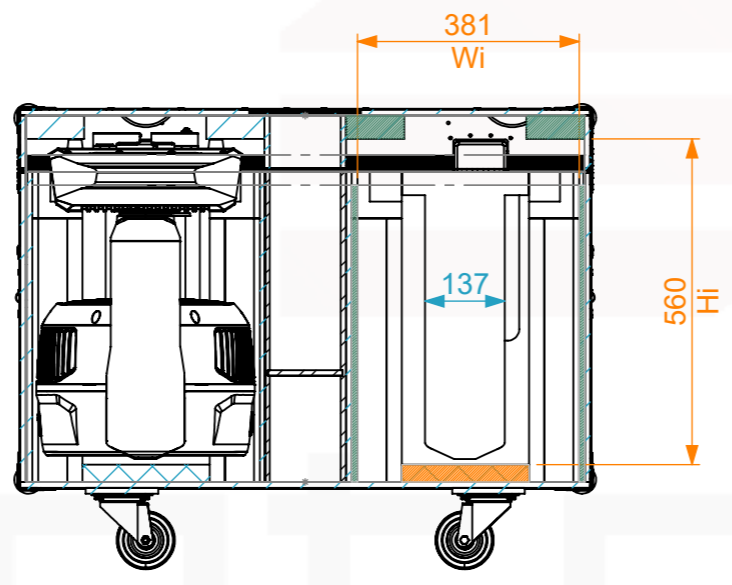
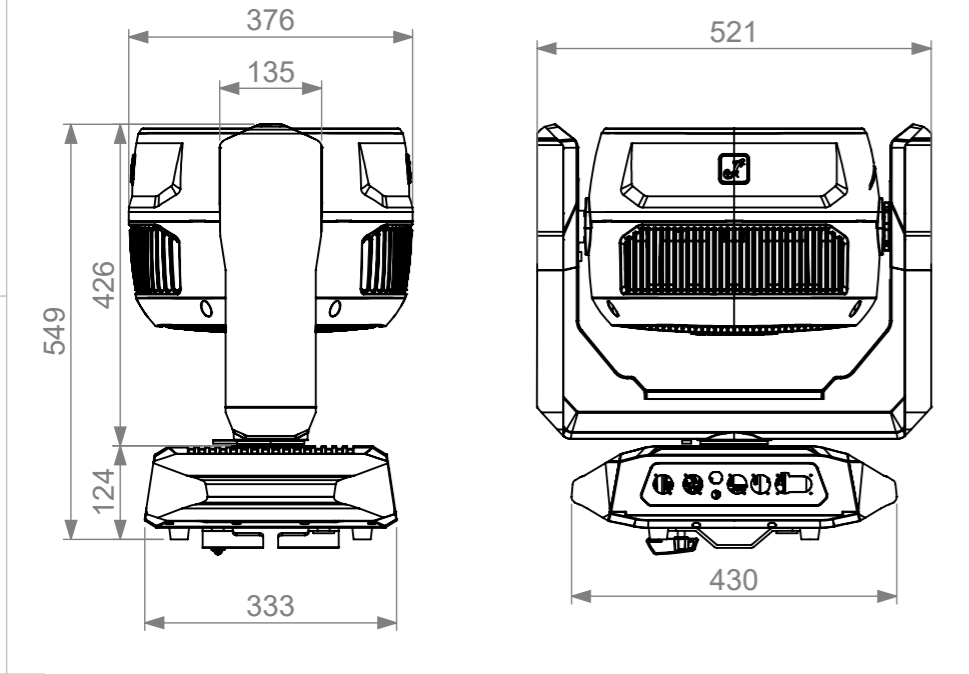


Equipment	Cameo OTOS® W12	
Width	Depth	Height
521	333	549
Weight	Approx. Kg	
Internal Dimensions		
Width	Depth	Height
381	526	560
FC Weight	Approx. 49 Kg	
Wall Thickness		10mm



General External Dimensions	
W	Width
D	Depth
H	Height
Usable Inner Dimensions	
Wi	Inside Width
Di	Inside Depth
Hi	Inside Height

This drawing must not be copied or disclosed without consent of the owner

Name	Date
CarlaSilva	21/02/2025
Reference	MH1_CAMOW12.02
Scale	1:13
units in mm	general tolerance 0.8mm
DO NOT SCALE	
Flight case PRO, 2x Cameo OTOS® W12	



A3