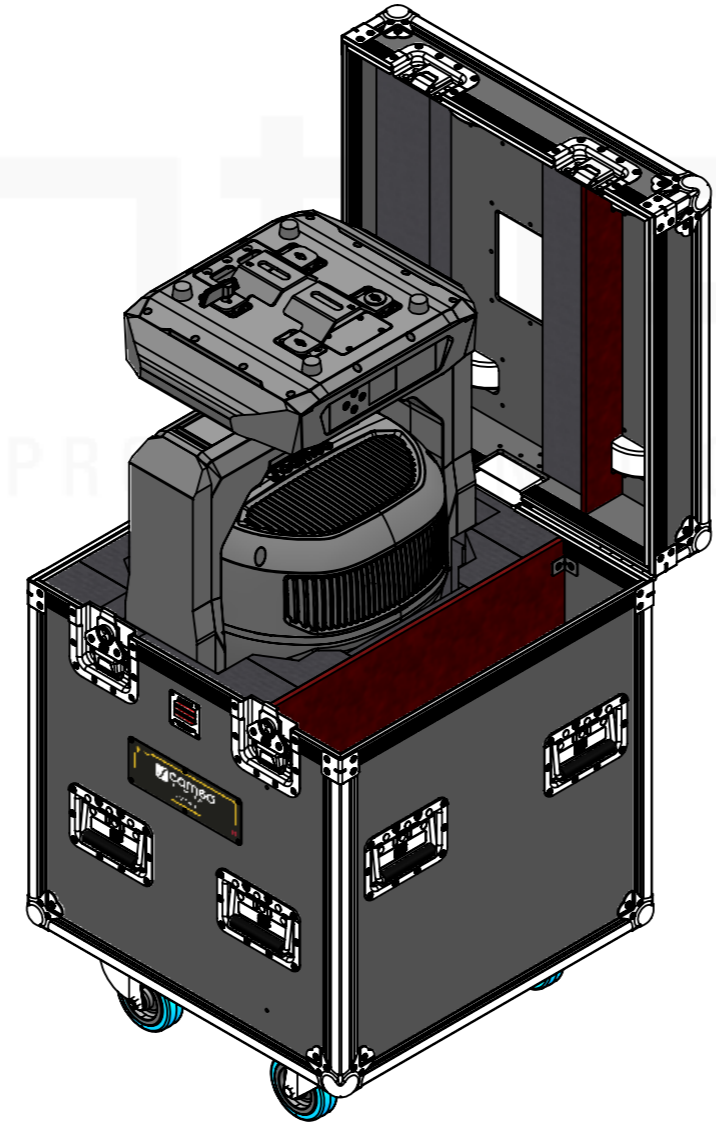
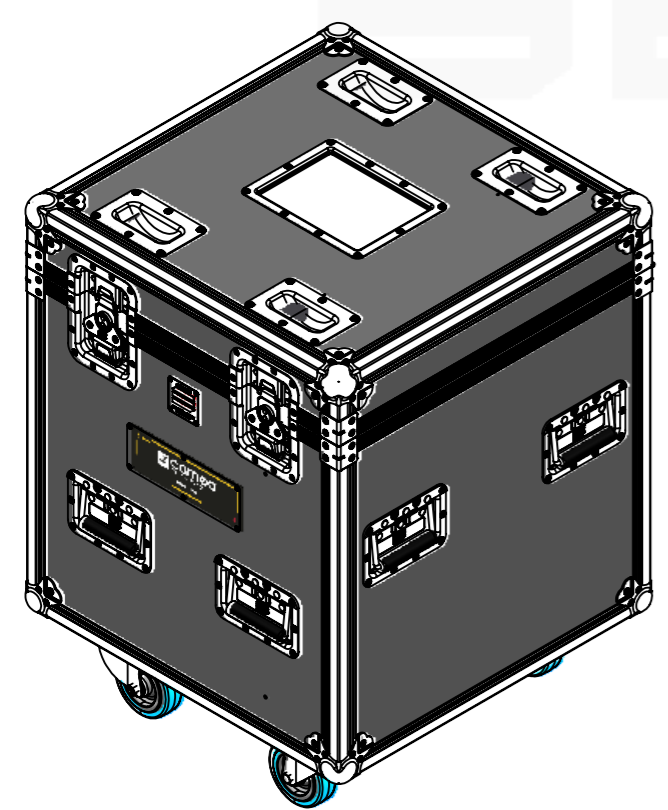
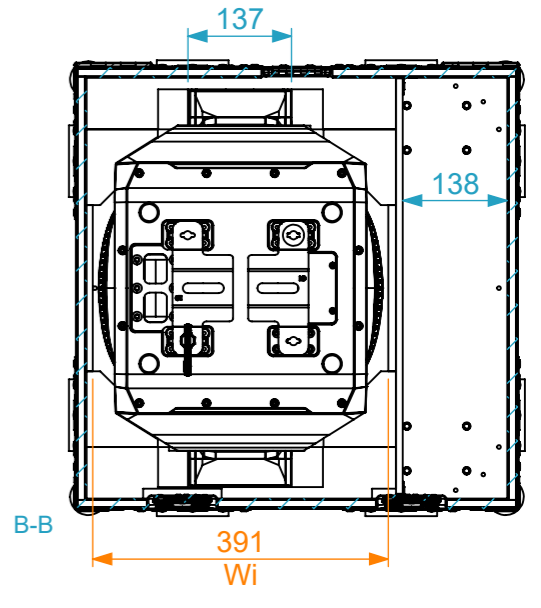
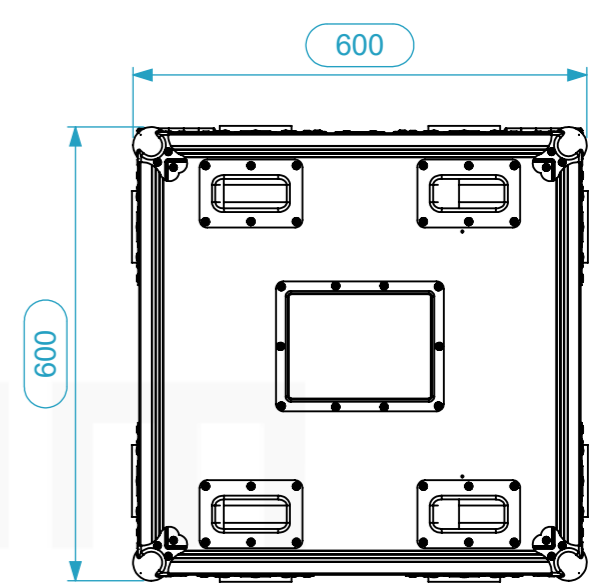
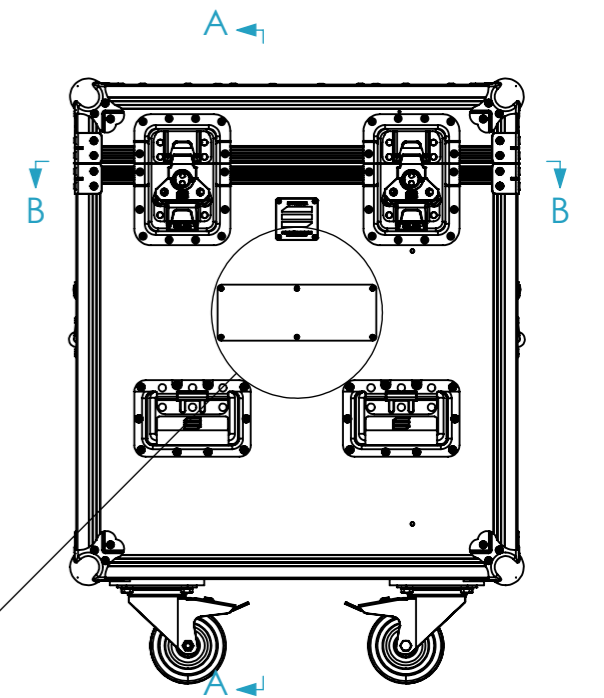
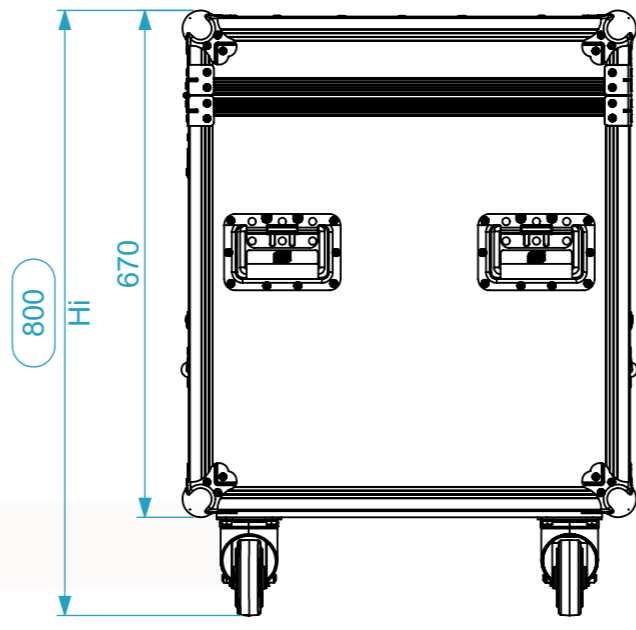
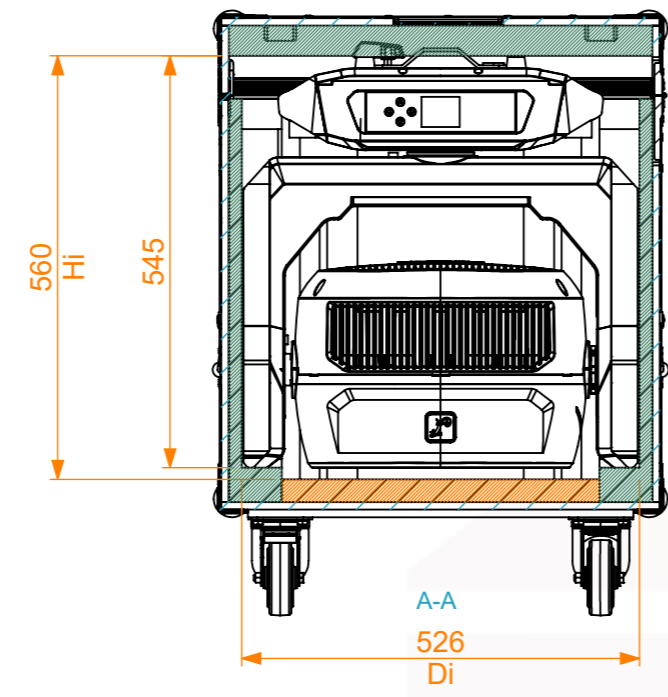
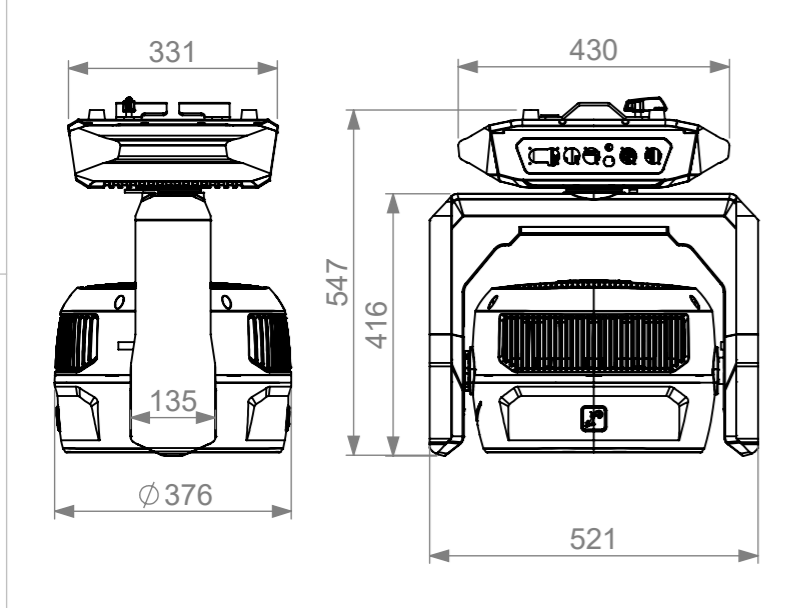


Equipment	Cameo OTOS® W12	
Width	Depth	Height
521	333	549
Weight	Approx. 31 Kg	
Internal Dimensions		
Width	Depth	Height
391	526	560
FC Weight	Approx. 32.0 Kg	
Wall Thickness	10mm	



General External Dimensions		Usable Inner Dimensions	
W	Width	Wi	Inside Width
D	Depth	Di	Inside Depth
H	Height	Hi	Inside Height

A3 This drawing must not be copied or disclosed without consent of the owner

Name	CarlaSilva	Date	21/02/2025
Reference	MH1_CAMOW12.01		
Scale	1:10	units in mm	general tolerance 0.8mm
1st Angle projection	Flight case PRO, 1x Cameo OTOS® W12		

