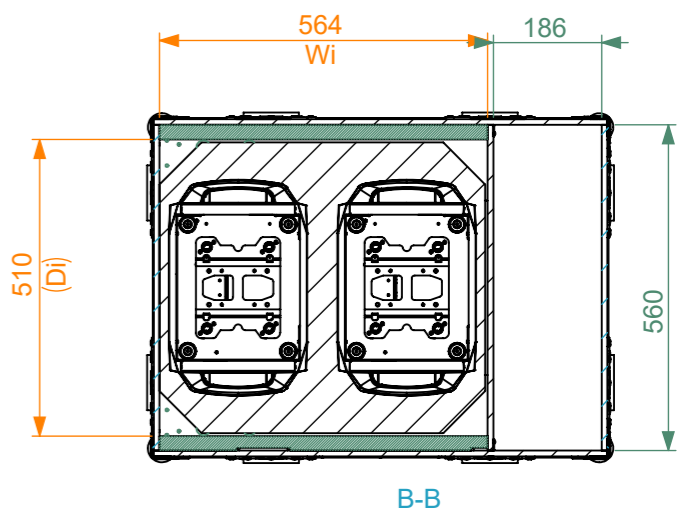
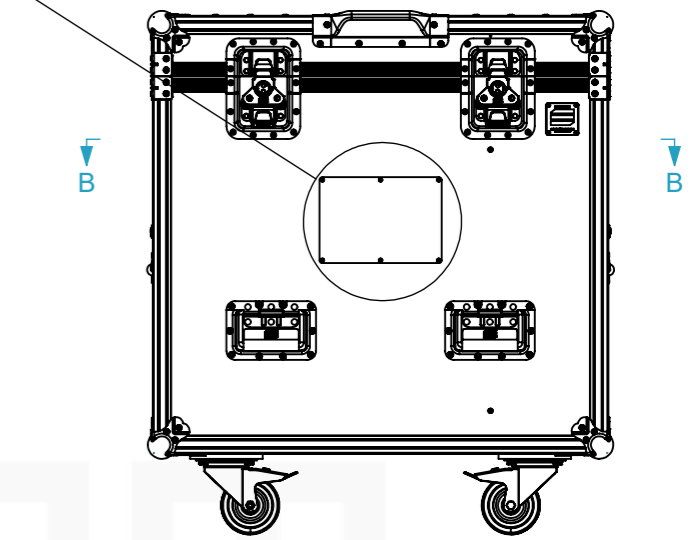
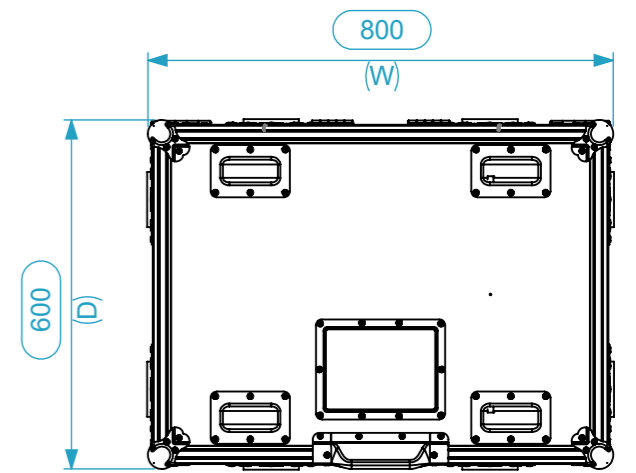
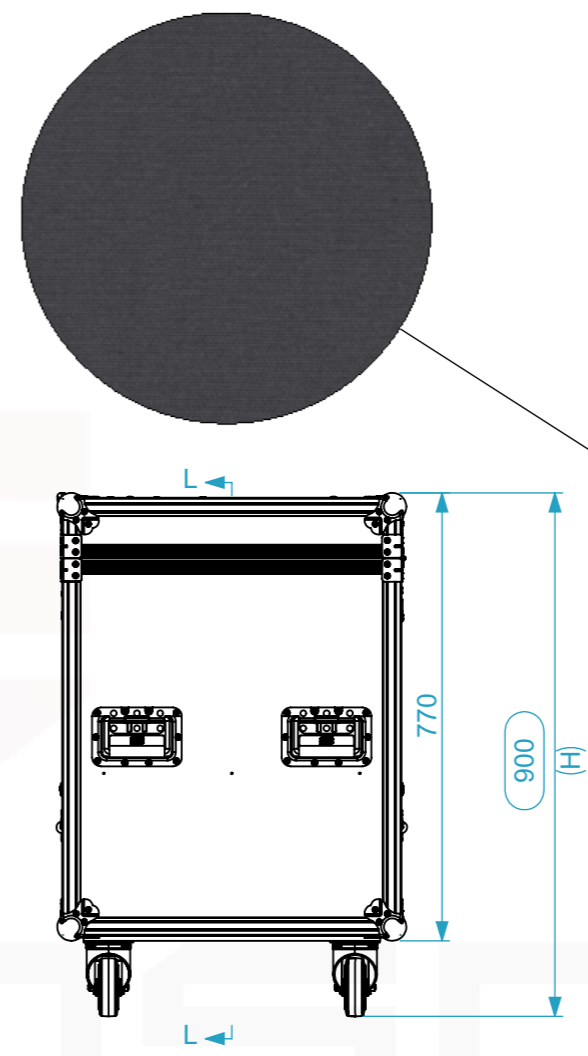
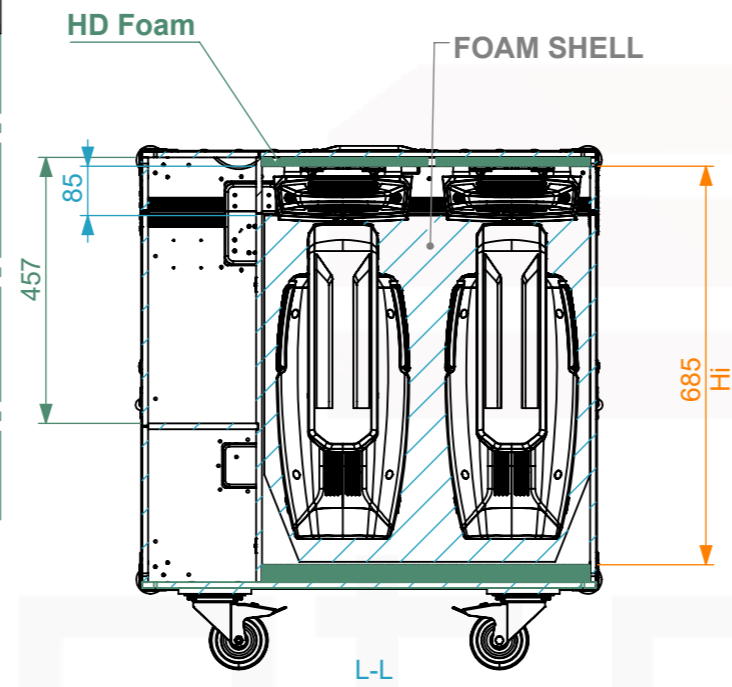
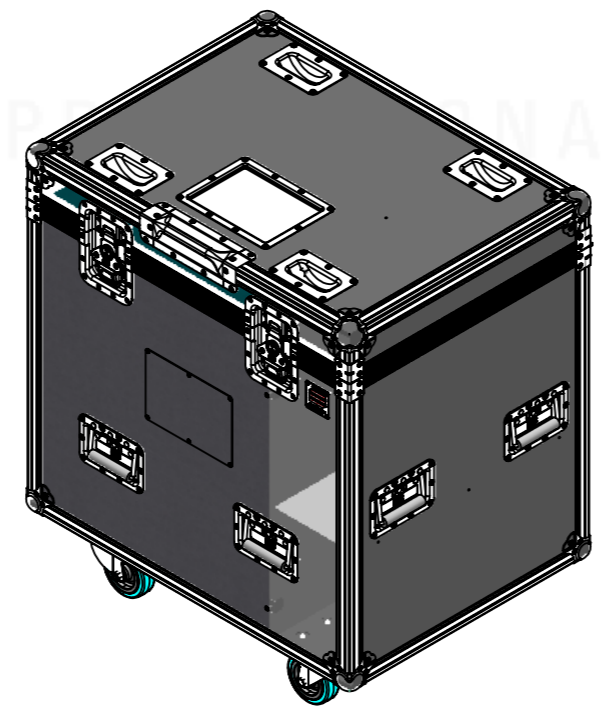
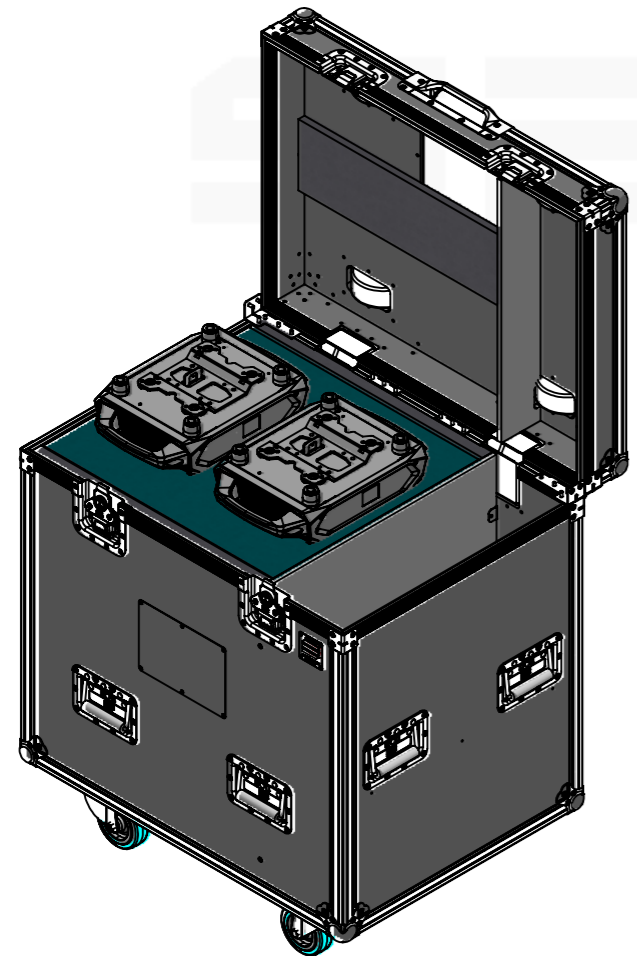
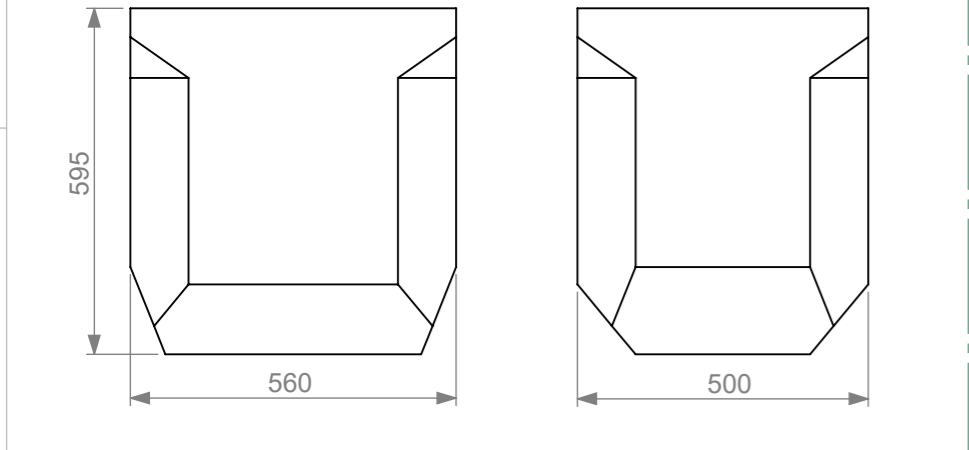


Equipment	Cameo Azor SP2 INSERT	
Width	Depth	Height
500	560	595
Weight	Approx. 10 Kg	
Internal Dimensions		
Width	Depth	Height
564	510	685
FC Weight	Approx. 39.71 Kg	
Wall Thickness	10mm	



General External Dimensions		Usable Inner Dimensions	
W	Width	Wi	Inside Width
D	Depth	Di	Inside Depth
H	Height	Hi	Inside Height

A3 This drawing must not be copied or disclosed without consent of the owner

Drawn by	tiago.pais	Date	26/05/2026
Reference	MH1.CAMAZSP2IP.02N		
Scale	1:13	units in mm	general tolerance 0.8mm
1st Angle projection	Flight case PRO 2x Cameo Azor SP2 IP Profile (no foam shell)		

