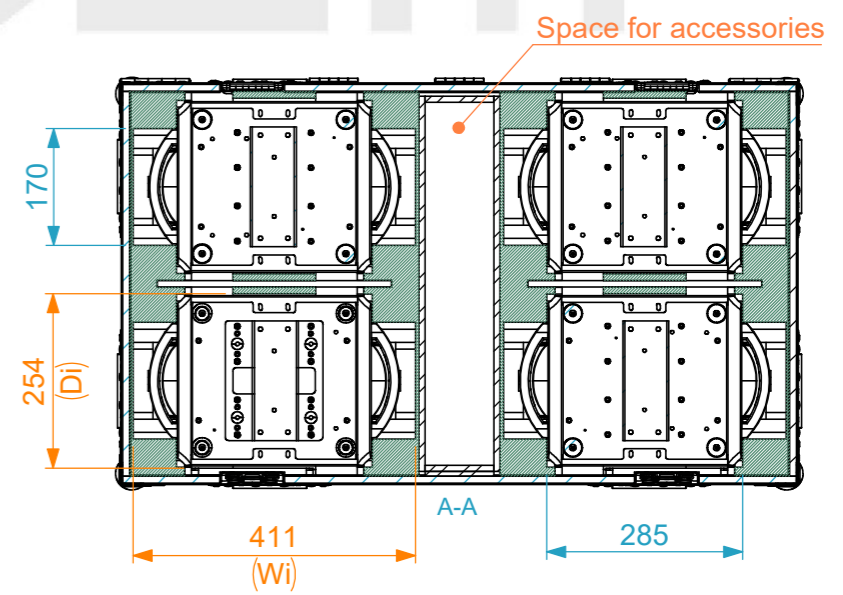
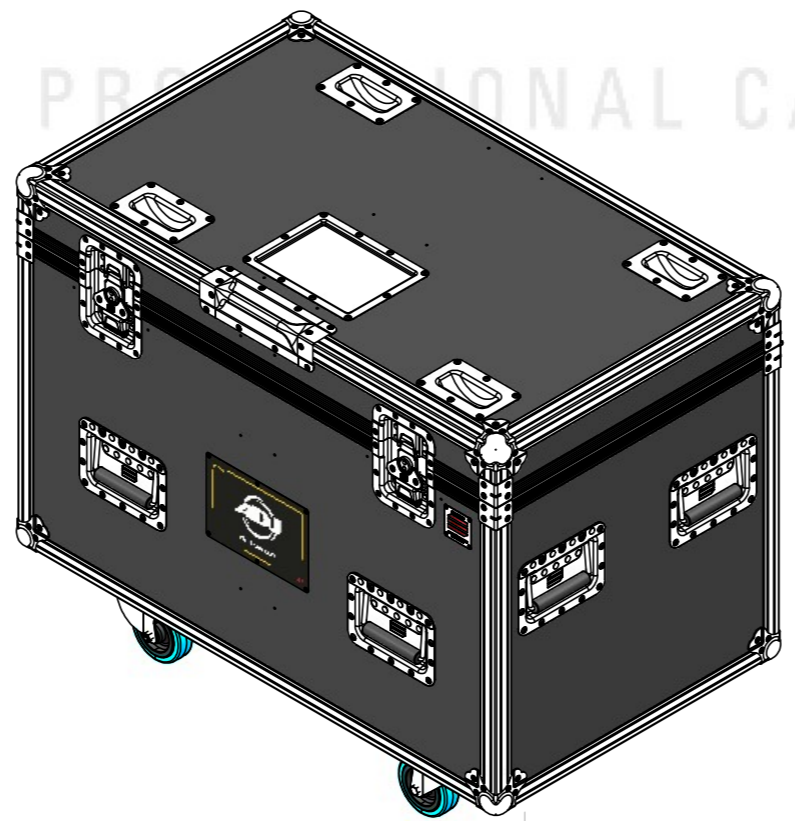
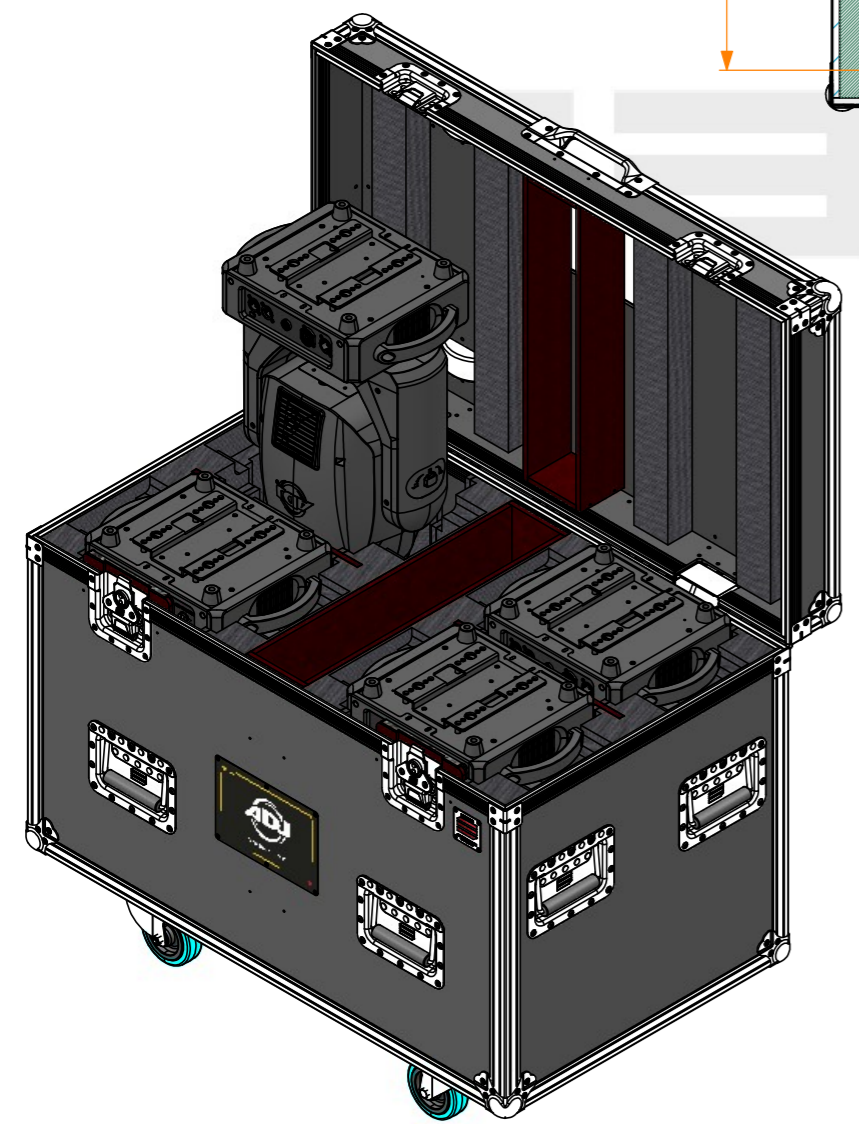
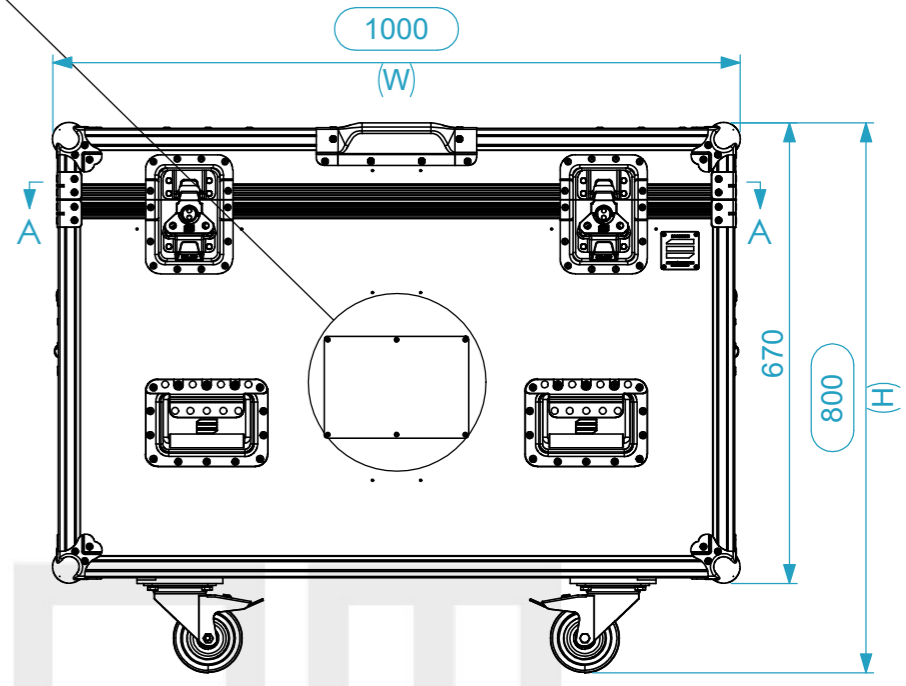
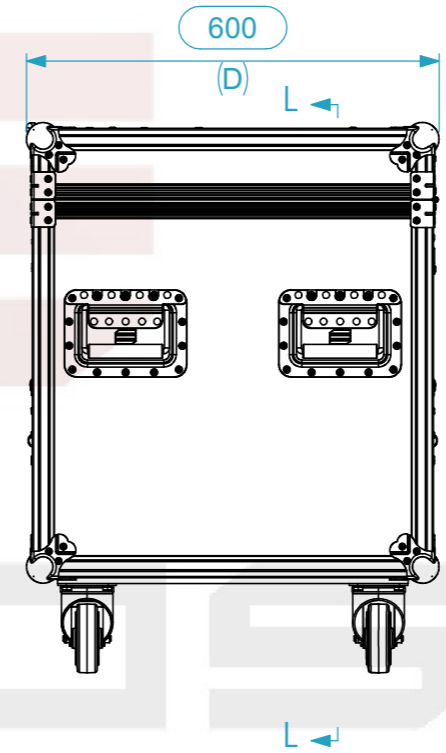
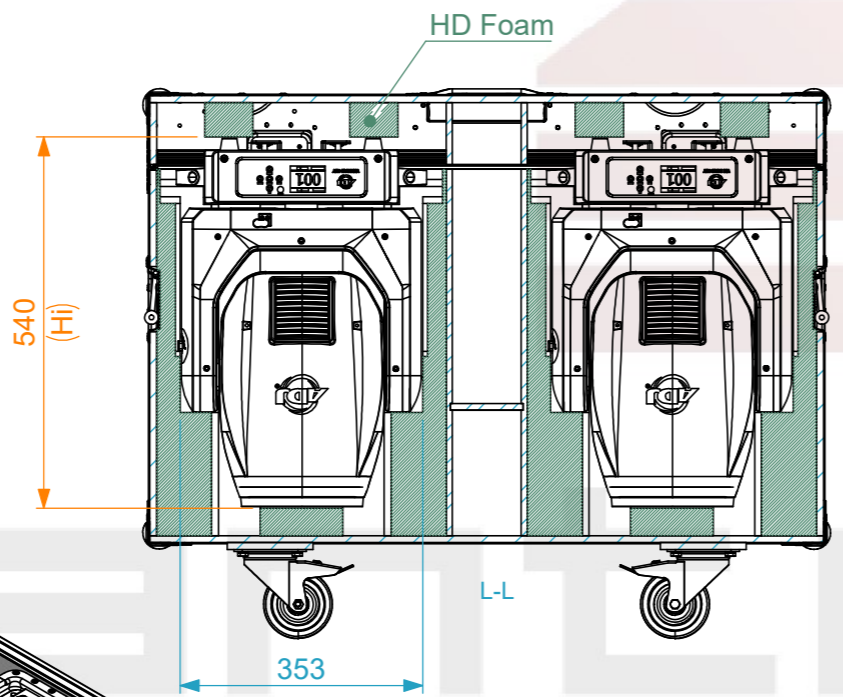
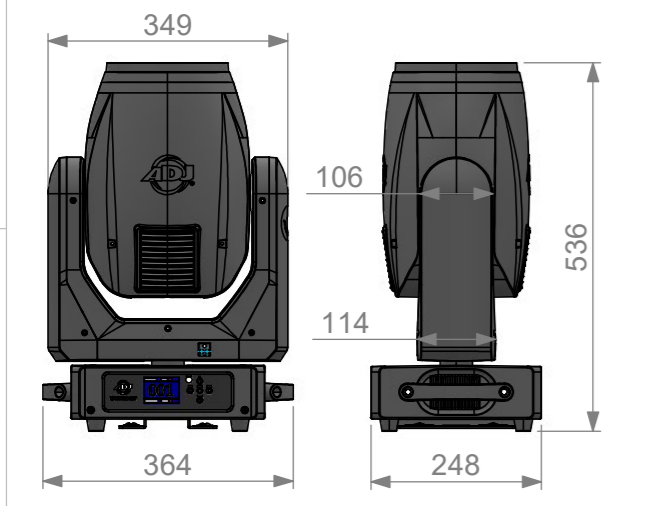
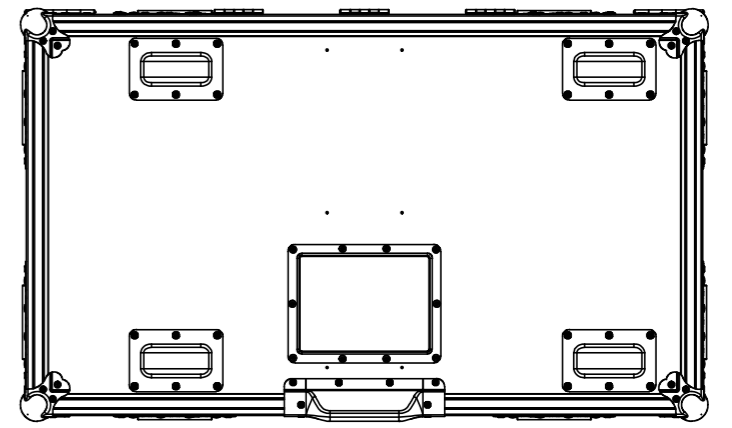


<b>Equipment</b>	ADJ Vizi Beam CMY	
<b>Width</b>	<b>Depth</b>	<b>Height</b>
364	248	536
<b>Weight</b>	Approx. 17.5 Kg	
<b>Internal Dimensions</b>		
<b>Width</b>	<b>Depth</b>	<b>Height</b>
411	254	540
<b>FC Weight</b>	Approx. 49 Kg	
<b>Wall Thickness</b>		10mm



General External Dimensions		Usable Inner Dimensions	
W	Width	Wi	Inside Width
D	Depth	Di	Inside Depth
H	Height	Hi	Inside Height

Name	Date
Drawn by: catarina.silva	07/05/2025
Reference	MH1.ADJVZB.04

Scale	units in mm	general tolerance
1:11	DO NOT SCALE	0.8mm
1st Angle projection		



This drawing must not be copied or disclosed without consent of the owner

A3