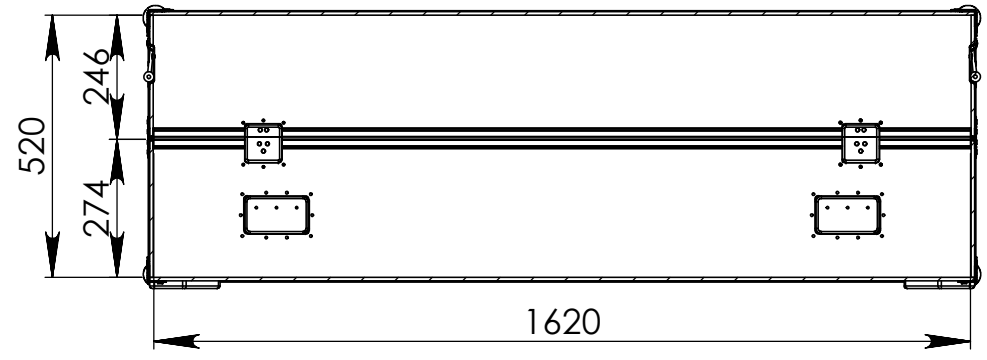
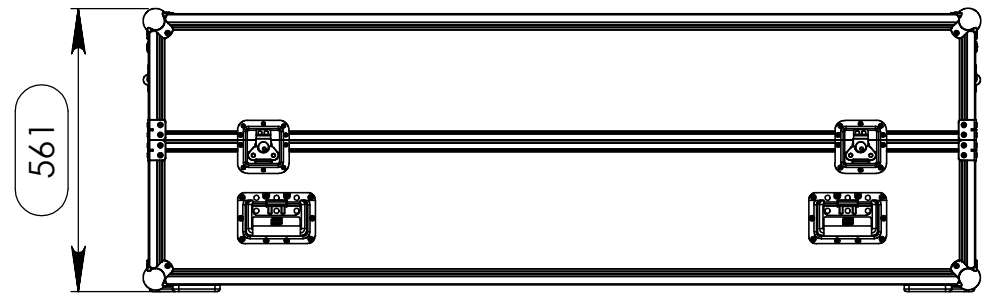
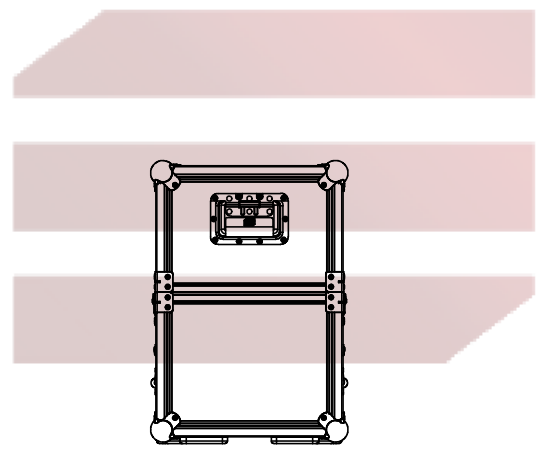
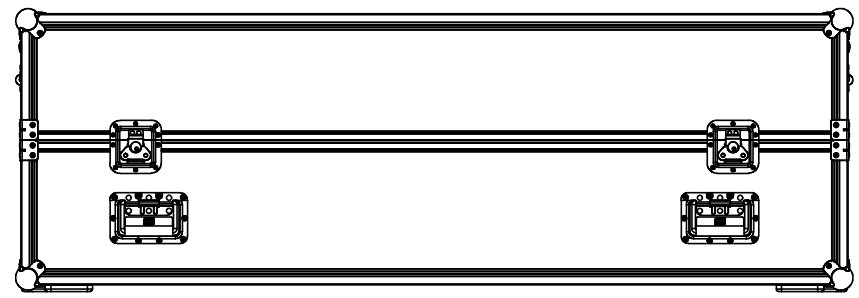


Interior dimensions

Width	Depth	Height
1620	350	520
Weight	Approx. 27 Kg	
Wall Thickness	7mm	

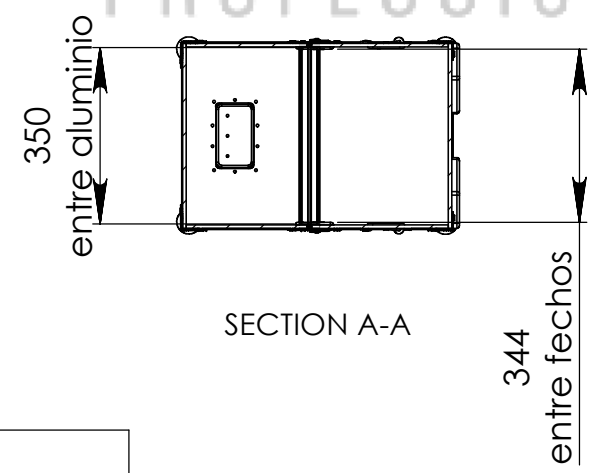
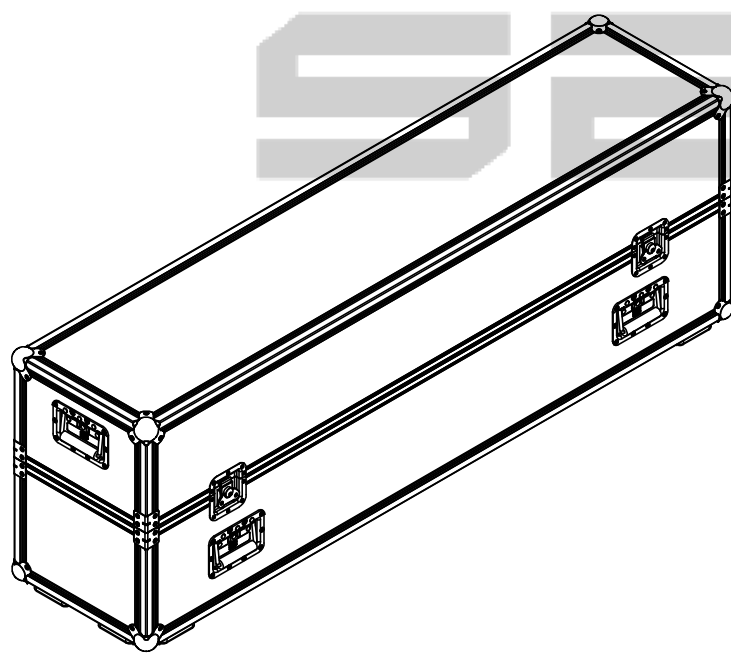


SECTION B-B

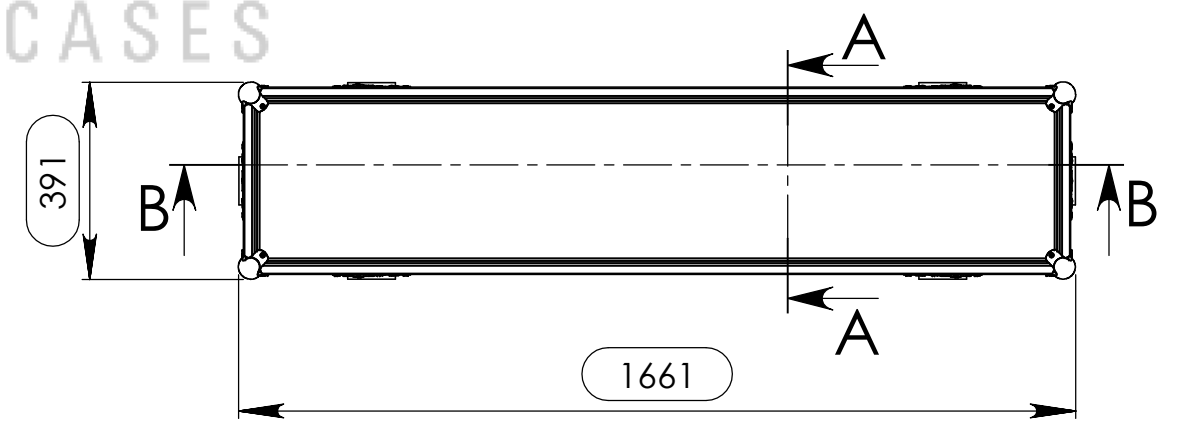


561

santosom
PROFESSIONAL CASES



SECTION A-A



Hardware		
Qty	Ref.	Description
8	40403	Large corner bracket f. 35mm case angle
4	17290S	Key lockable medium Butterfly special
6	34082	Recessed sprung handle medium model
8	4120	Heavy duty ball corner, zinc plated

A3 This drawing must not be copied or disclosed without consent of the owner

Drawn by	Name	Date
projects		23/09/2016
Reference	MCTP.1620	
Scale	units in mm	general tolerance
1:15	DO NOT SCALE	0.8mm
M-CASE, 1620X350X520MM		

