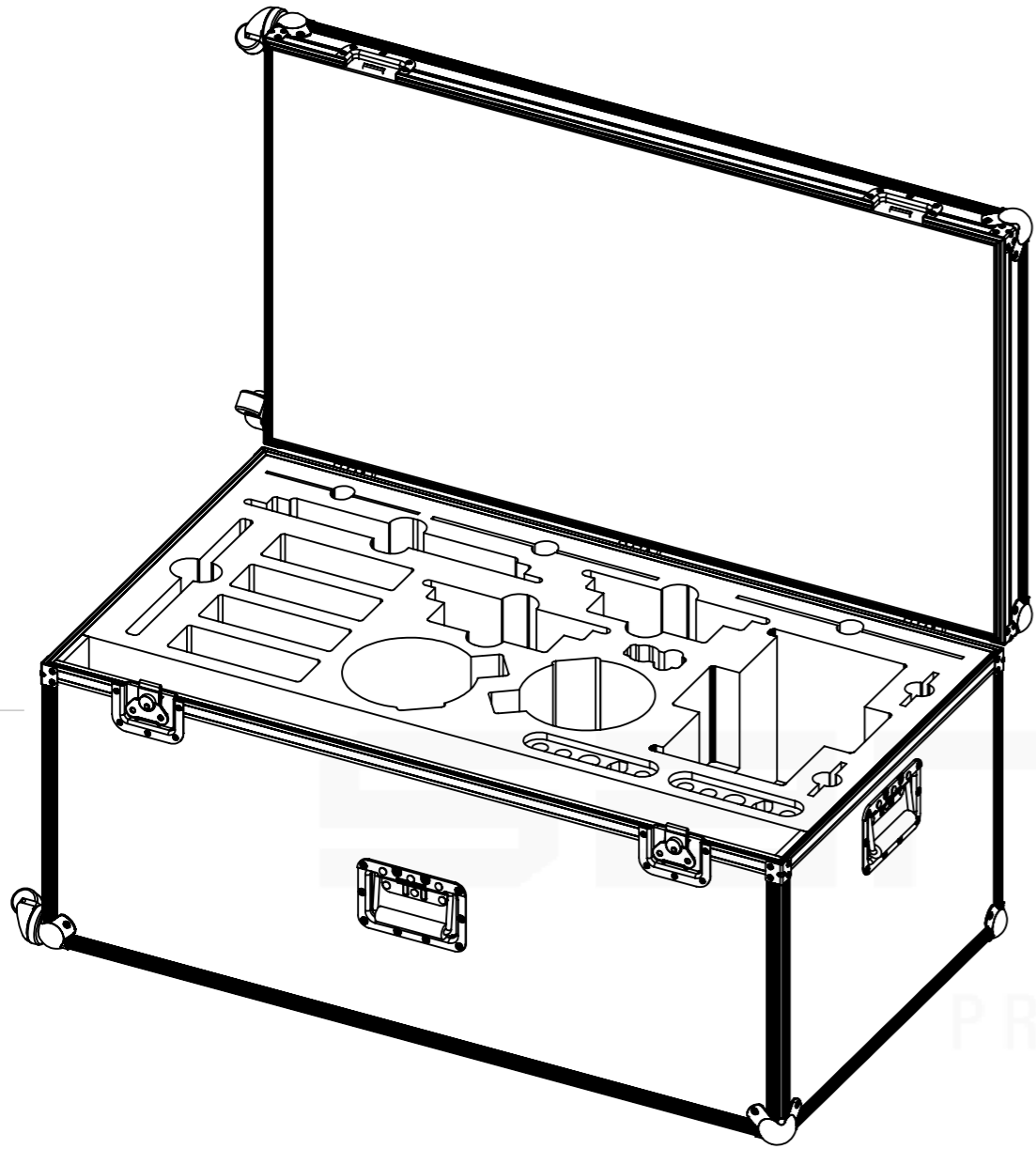


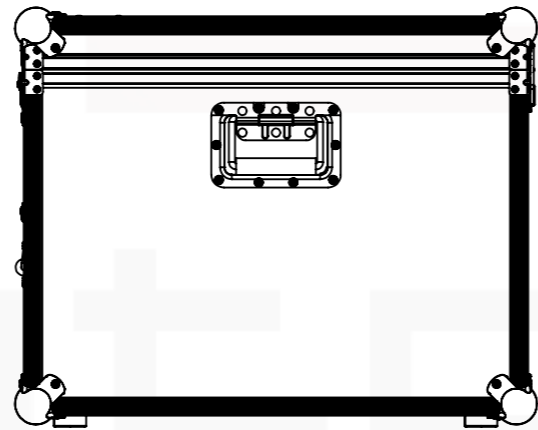
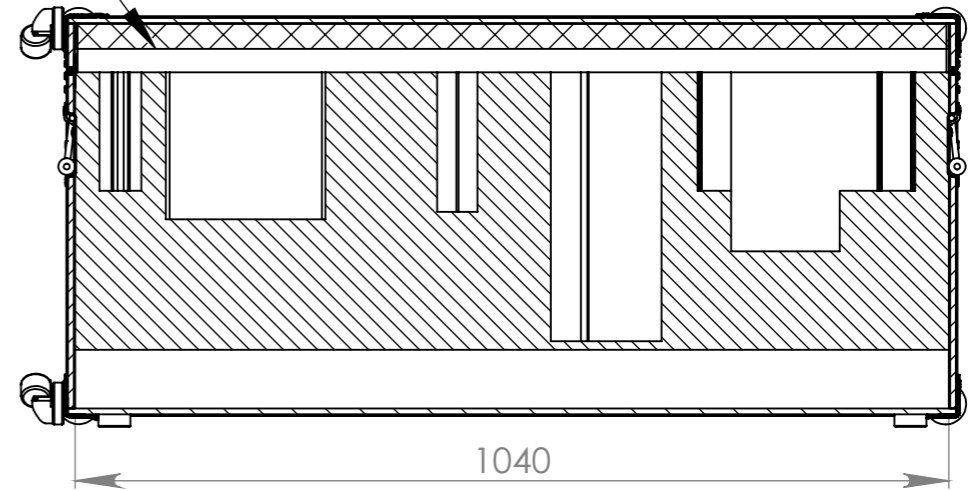
Interior dimensions

Width	Depth	Height
1040	580	458
Weight	Approx. 16 Kg	
Wall Thickness	7mm	

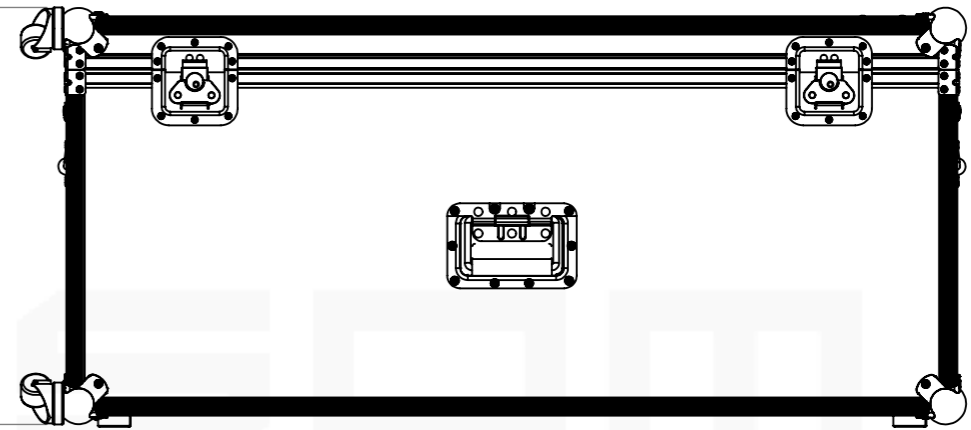


eggbox 50mm

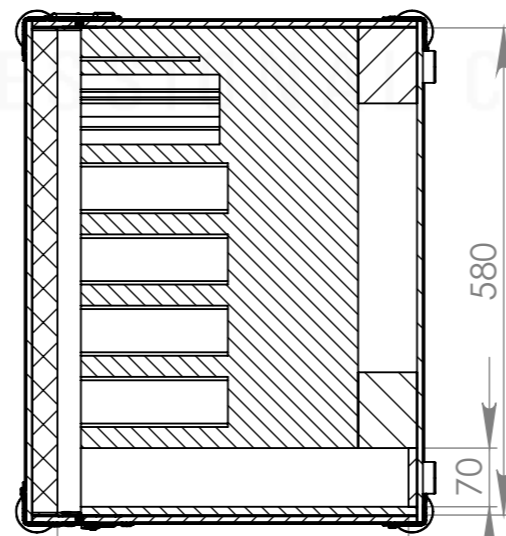
SECTION B-B



496



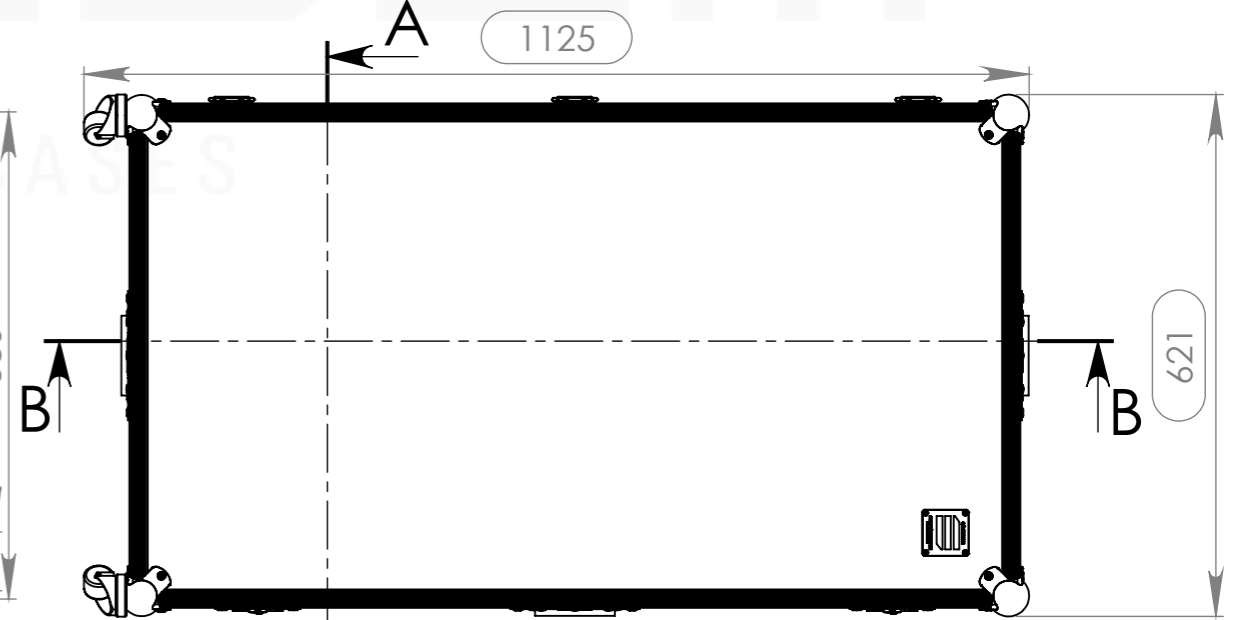
1125



Util Interior
SECTION A-A

580

70



621

Hardware		
Qty	Ref.	Description
8	40407	Medium corner-brace zinc plated 1,0mm
3	34082	Recessed sprung handle medium model
2	17290S	Key lockable medium Butterfly special
1	CHAPA.1000	Identification Plate
3	2524	Heavy Duty Strut Hinge
4	37441	Corner castor 35 mm on ball corner
4	4120	Medium ball corner zinc plated
4	4907	Rubber foot 38mm x 15 mm

This drawing must not be copied or disclosed without consent of the owner

Drawn by	Name	Date
telmosantos	telmosantos	16-10-2015
Reference	MC2.1040	
Scale	units in mm	general tolerance
1:9	DO NOT SCALE	0.8mm
Multicase.		

