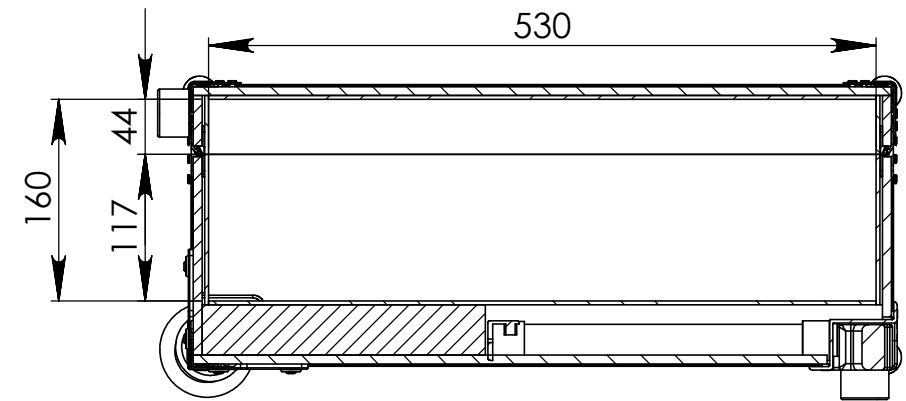
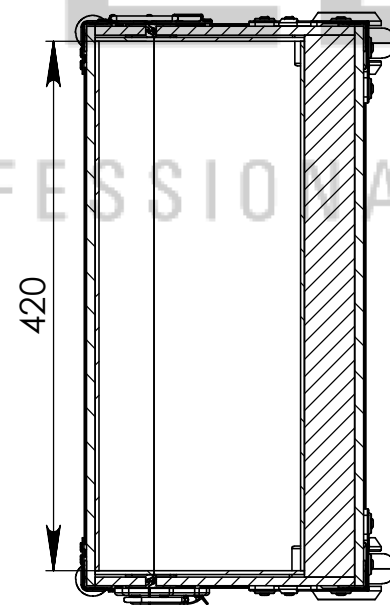
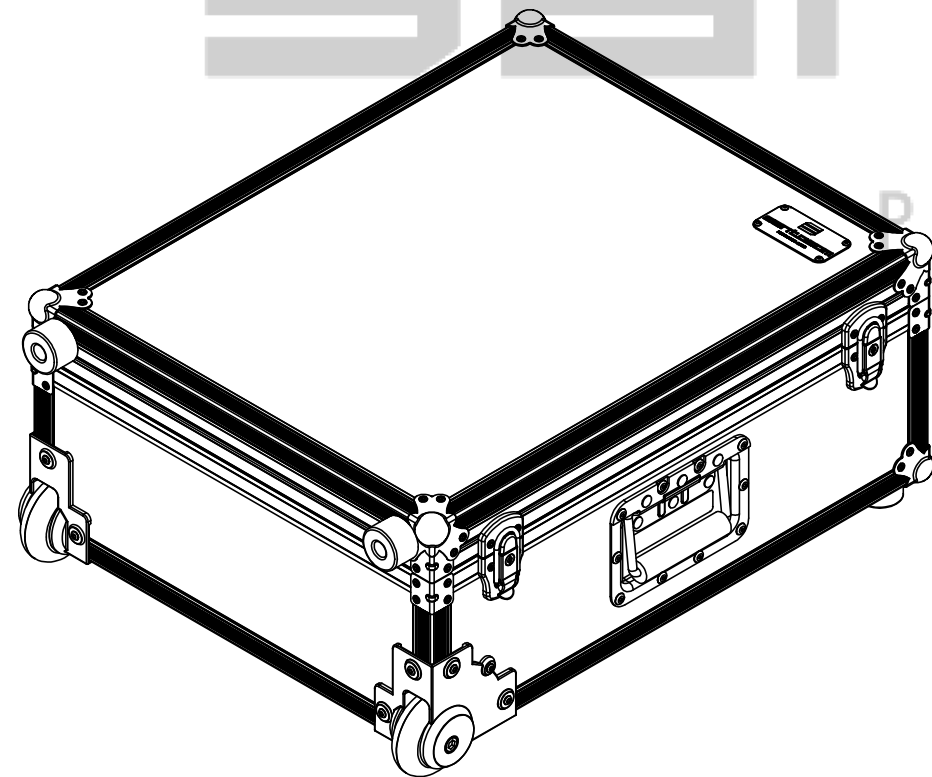
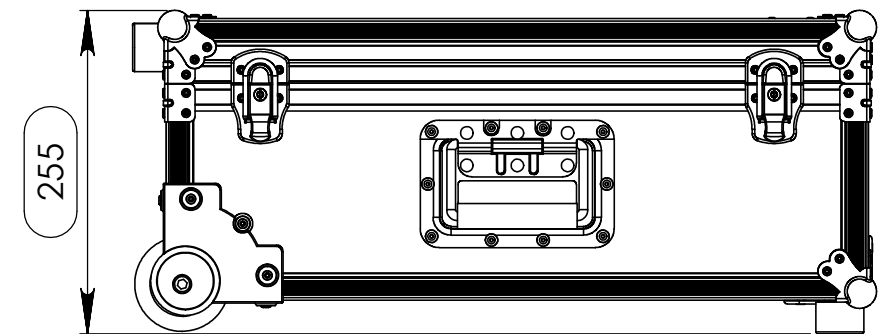
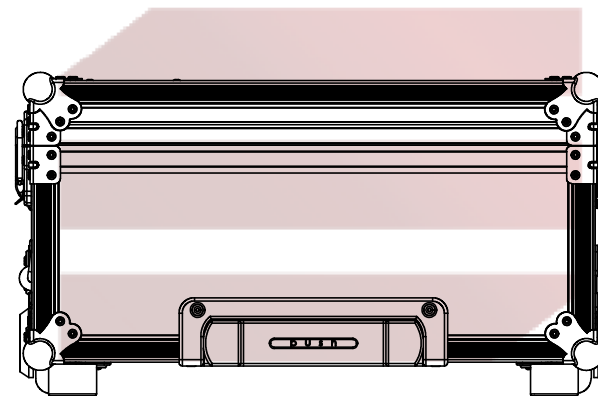
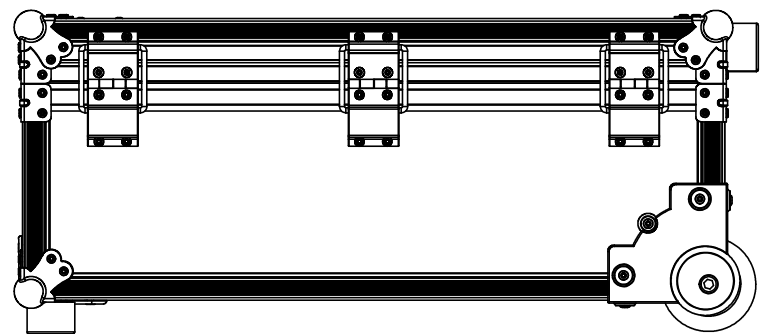


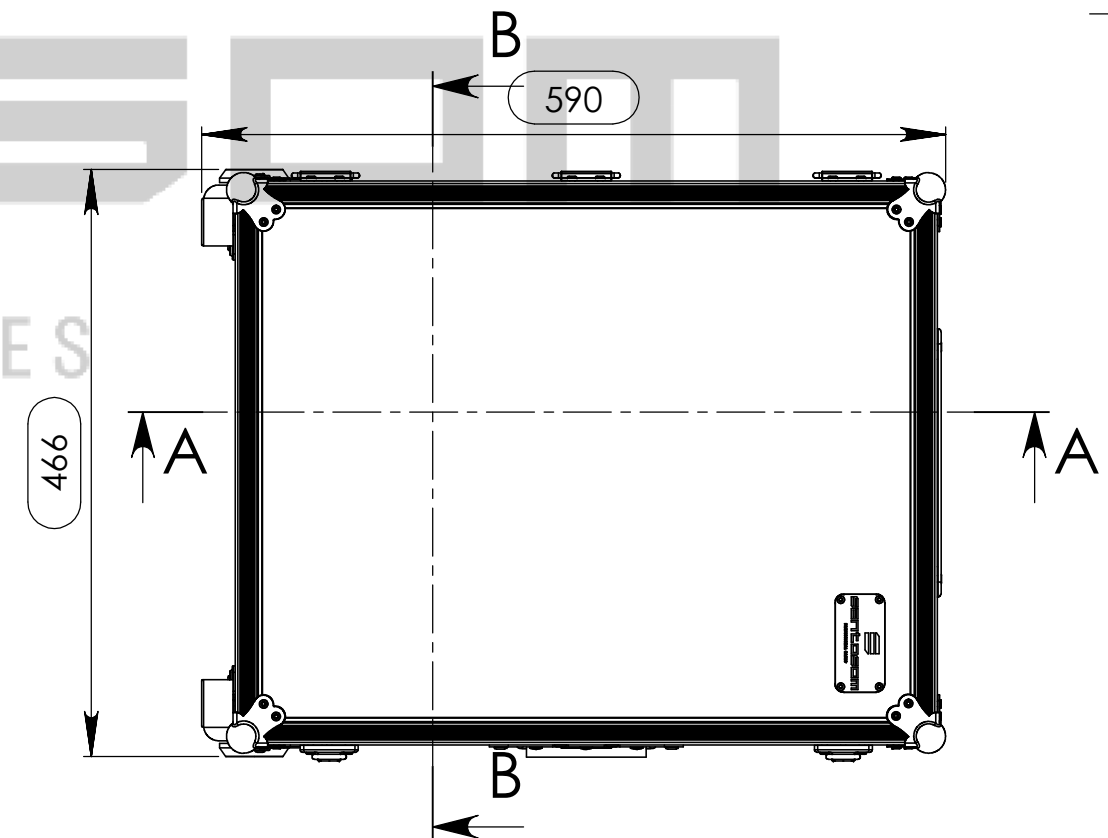
Interior dimensions		
Width	Depth	Height
530	420	160
Weight	Approx. 9 Kg	
Wall Thickness		7mm



SECTION A-A



SECTION B-B



Drawn by	Name	Date
DanielLopes	DanielLopes	06-02-2012
Reference	MC2.0530	

This drawing must not be copied or disclosed without consent of the owner

Scale	units in mm	general tolerance
1:6	DO NOT SCALE	±0.8mm
1st Angle projection		
Multicase, 530x420x110+50 mm, AF03		

