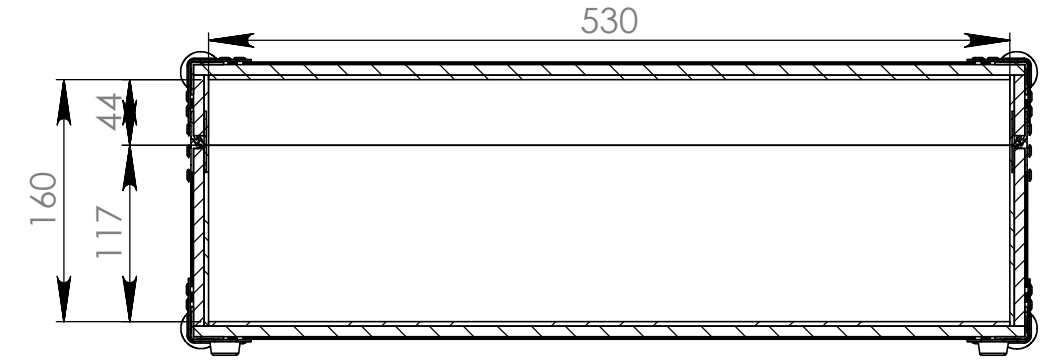
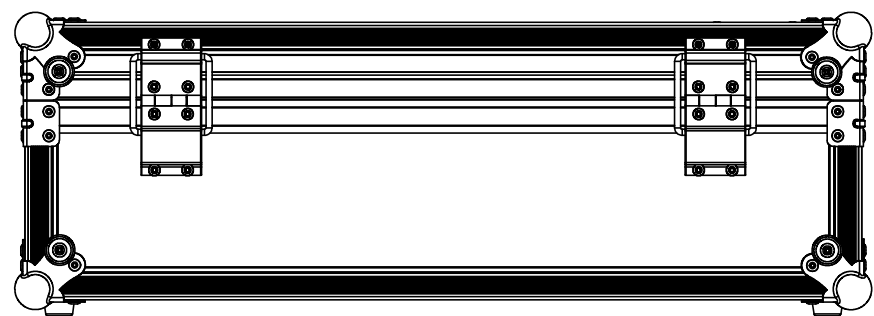
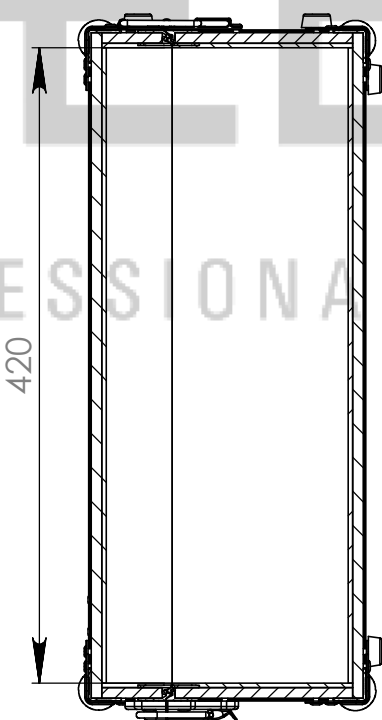
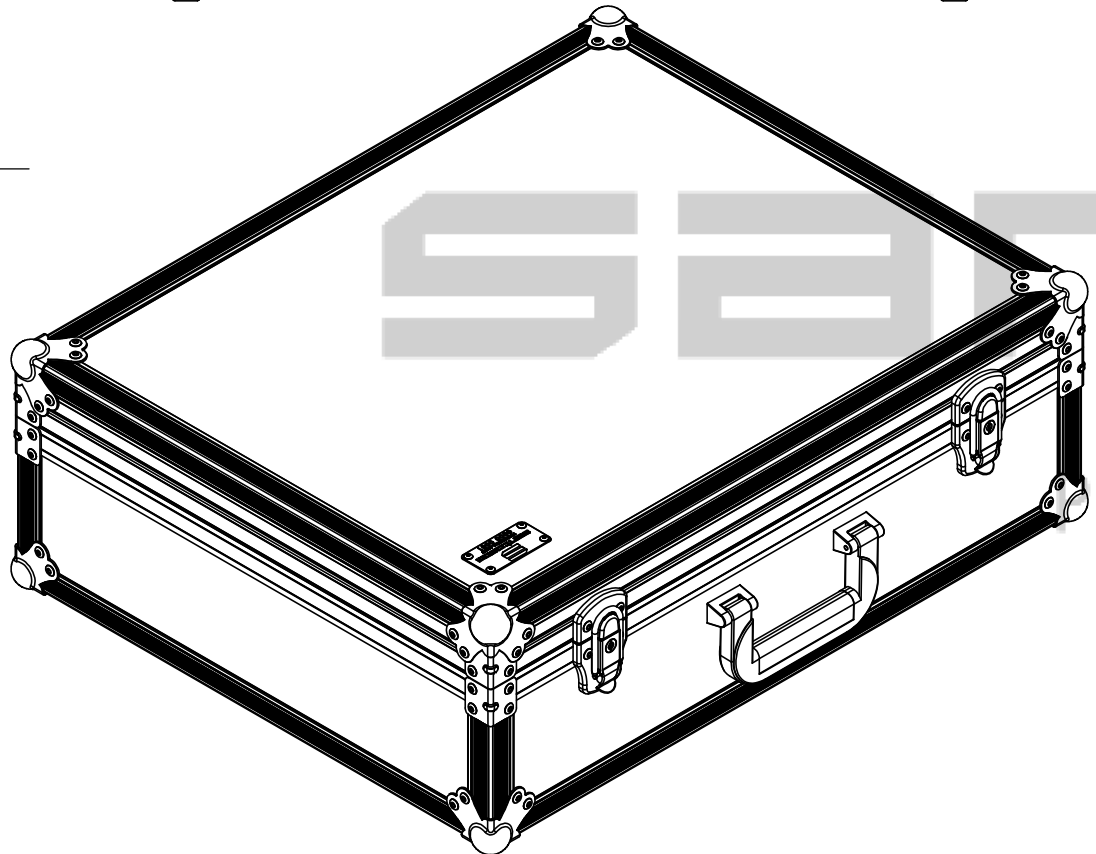
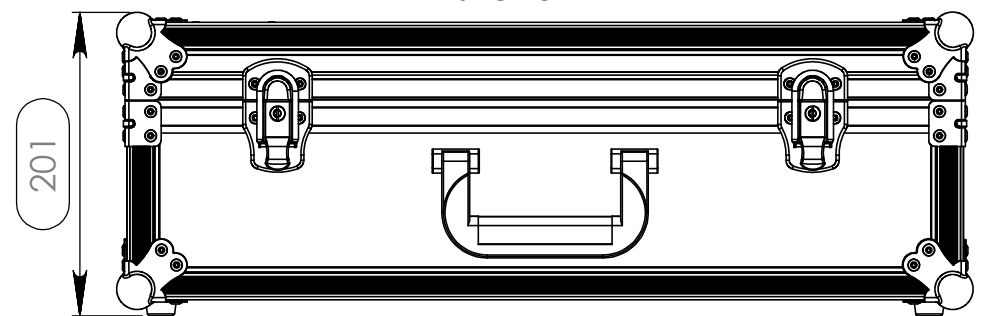


| Interior dimensions |              |        |
|---------------------|--------------|--------|
| Width               | Depth        | Height |
| 530                 | 420          | 160    |
| Weight              | Approx. 5 Kg |        |
| Wall Thickness      | 7mm          |        |

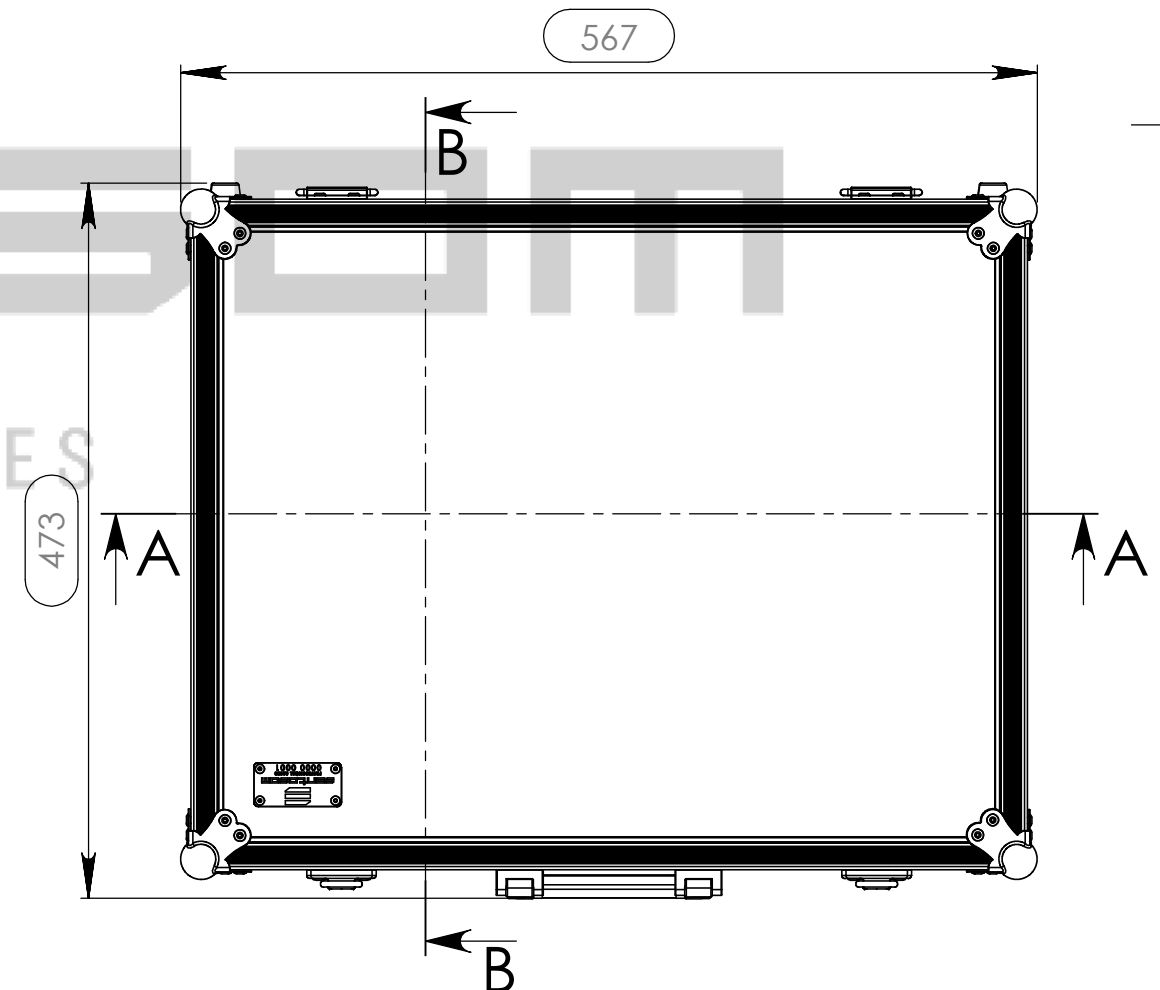
| REVISIONS |      |               |            |              |
|-----------|------|---------------|------------|--------------|
| ZONE      | REV. | DESCRIPTION   | DATE       | APPROVED     |
| -         | -    | Final Drawing | 25/06/2013 | Daniel Lopes |



SECTION A-A



SECTION B-B



| Hardware |        |  |
|----------|--------|--|
| Qty      | Ref.   | Description  |
| 8        | 40407  | Medium corner-brace zinc plated 1,0mm                |
| 8        | C1345Z | Small ball corner - 3 leg - zinc plated              |
| 1        | 3430   | Chrome plated plastic with soft black plastic insert |
| 2        | 2524   | Heavy Duty Strut Hinge, zinc plated                  |
| 2        | 1903   | Heavy drawbolt with lock chrome                      |
| 8        | 4903   | Rubber foot 20 x 9 mm, black                         |

This drawing must not be copied or disclosed without consent of the owner

|                              |              |
|------------------------------|--------------|
| Name                         | Date         |
| Drawn by: Daniel Lopes       | 25-06-2013   |
| Reference                    | MC1.0530     |
| Scale                        | 1:5          |
| units in mm                  | DO NOT SCALE |
| general tolerance            | 0.8mm        |
| Multicase, 530X420X110+50 MM |              |



A3