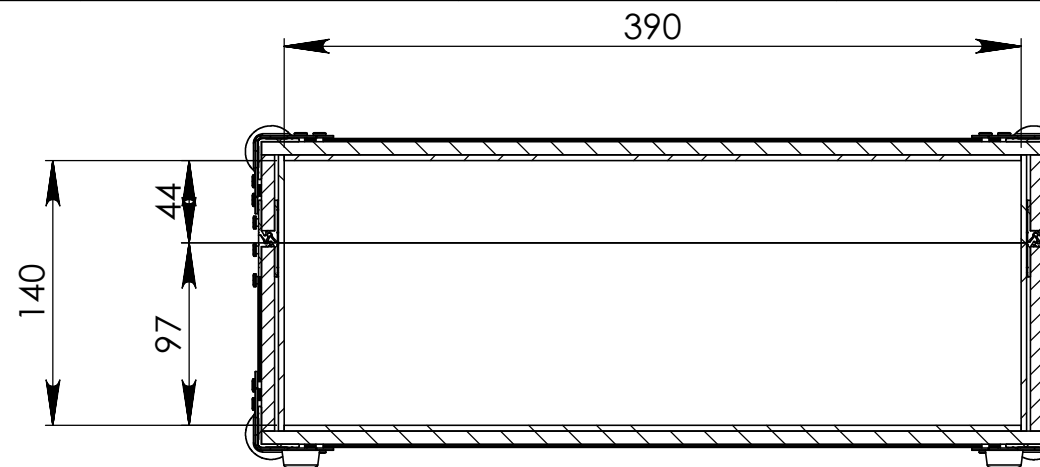
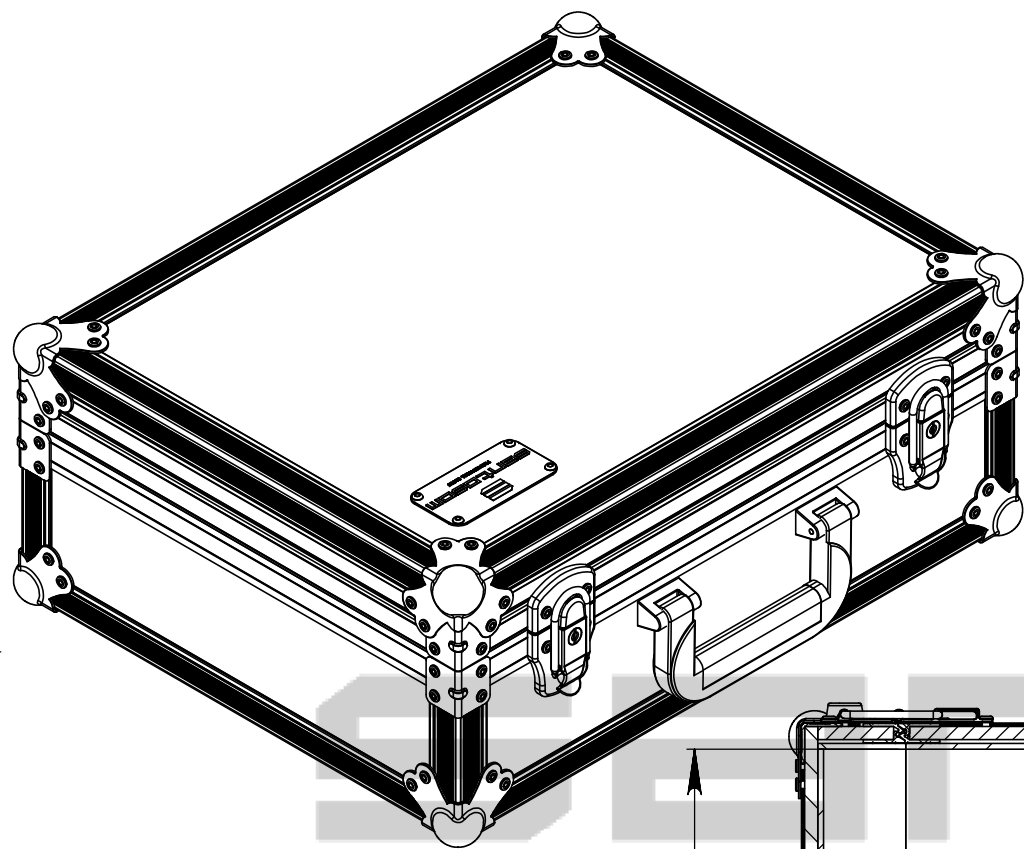
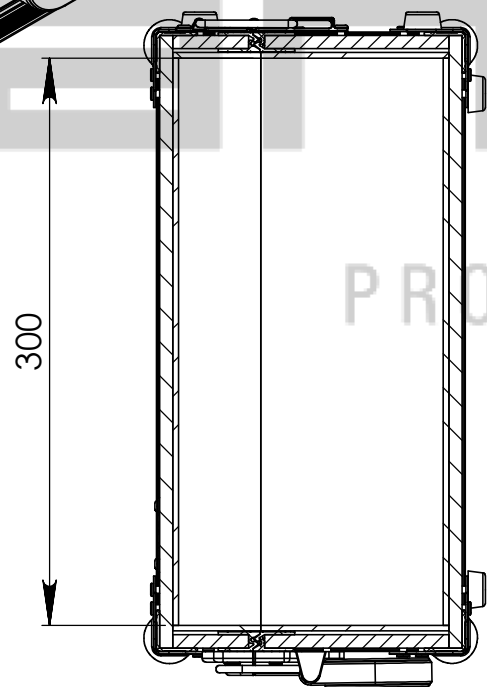
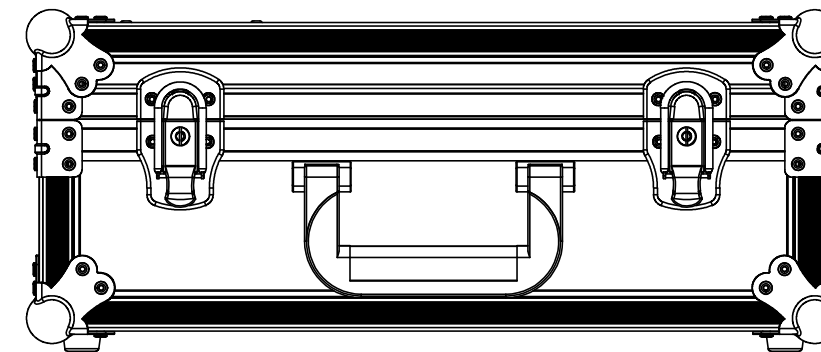


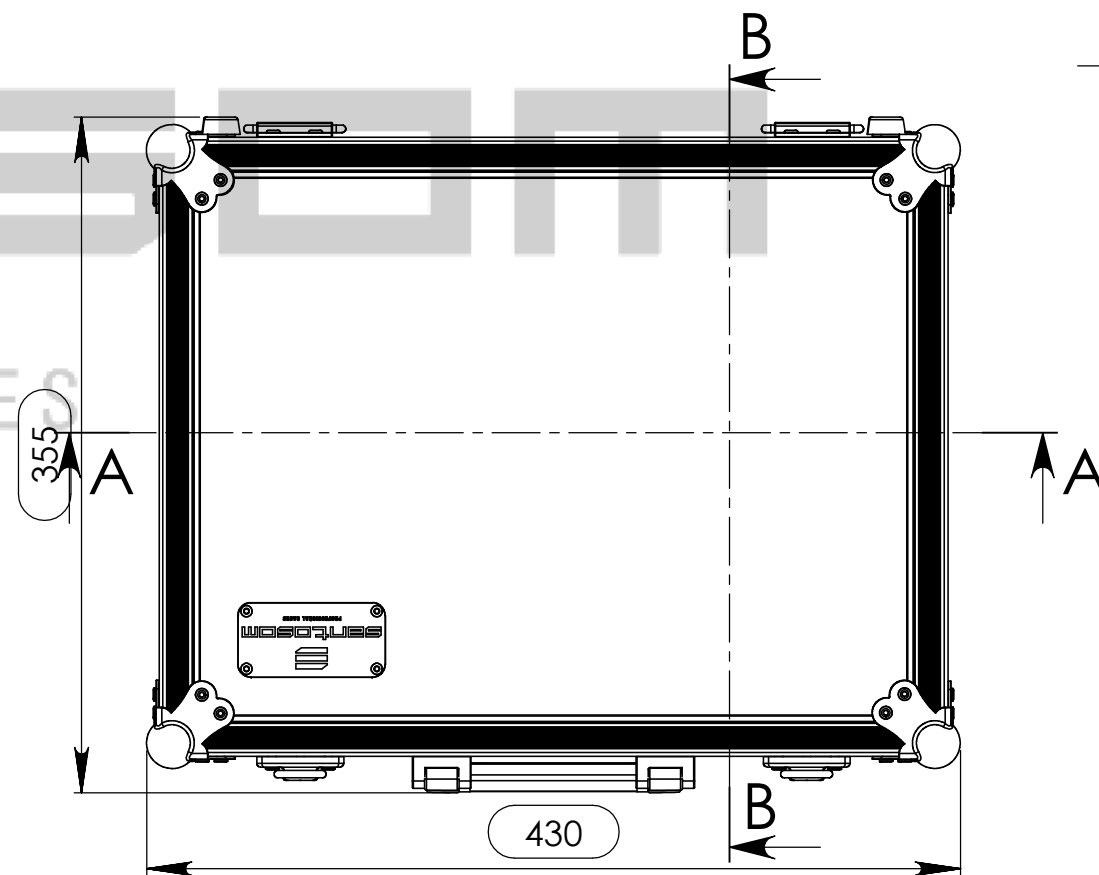
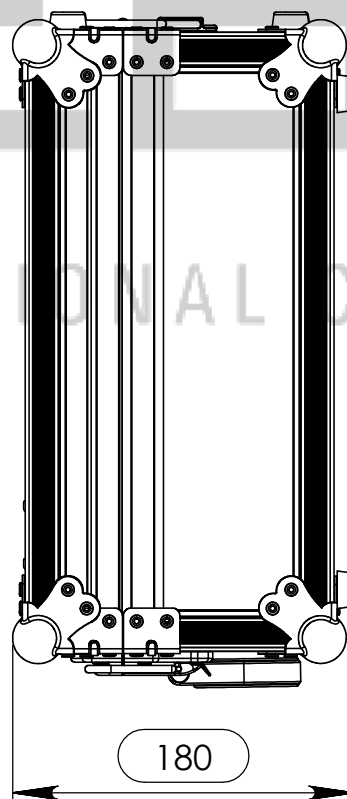
Interior dimensions		
Width	Depth	Height
390	300	140
Weight	Approx. 4 Kg	
Wall Thickness		7mm



SECTION A-A



SECTION B-B



Drawn by	Name	Date
DanielLopes	DanielLopes	06-02-2012
Reference	MC1.0390	
Scale	units in mm	general tolerance
1:4	DO NOT SCALE	±0.8mm
1st Angle projection		
Multicase, 390x300x90+50 mm, AF03		

This drawing must not be copied or disclosed without consent of the owner

