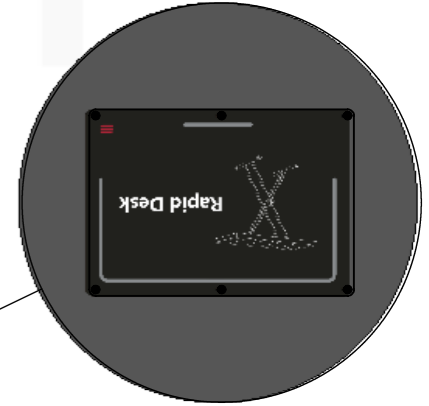
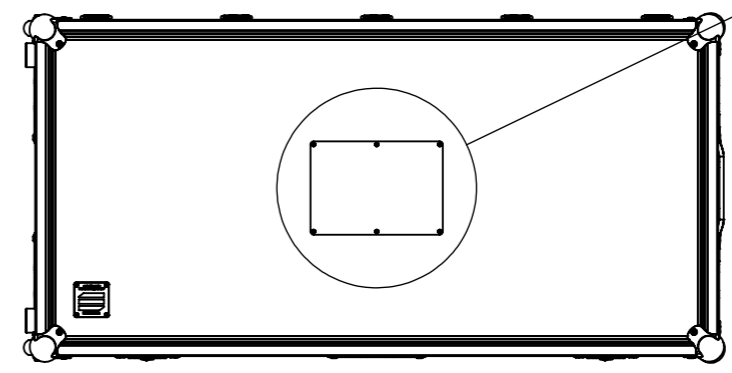
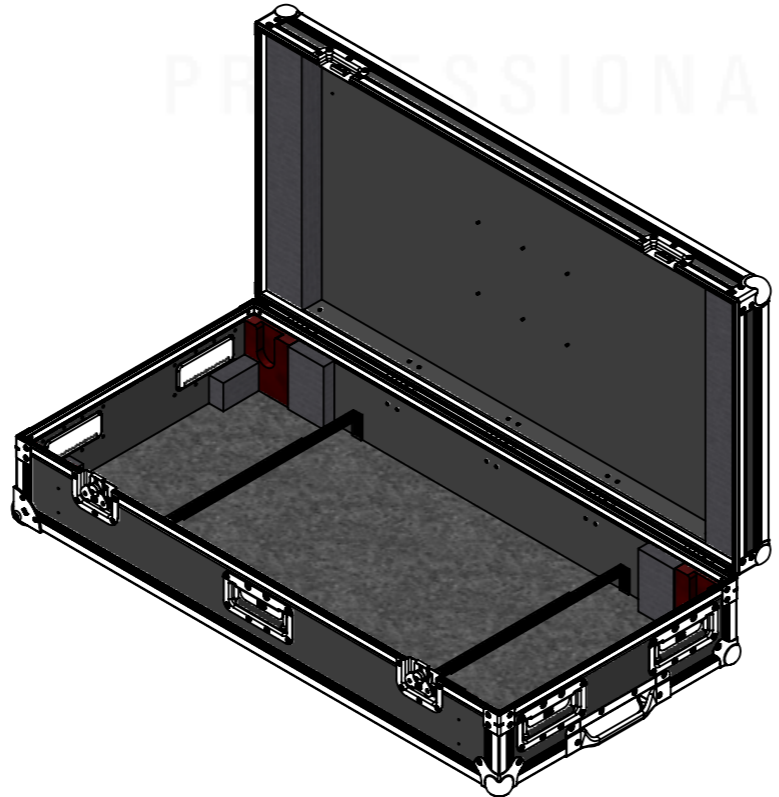
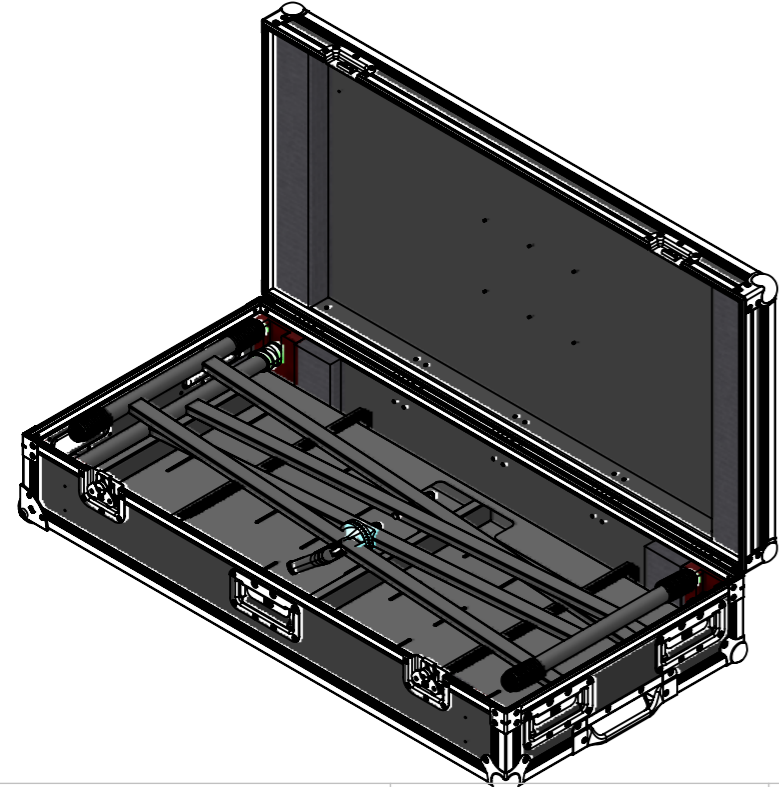
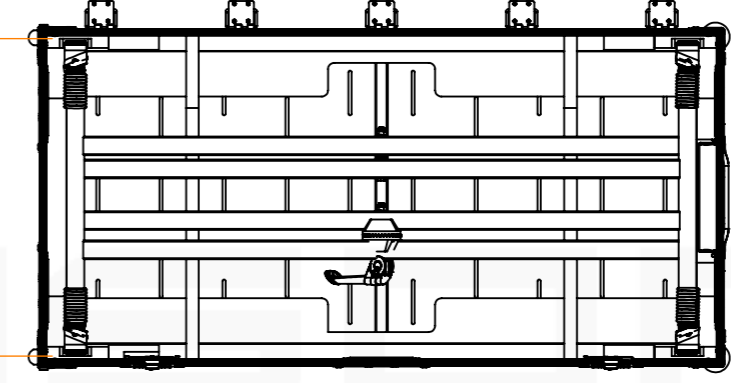
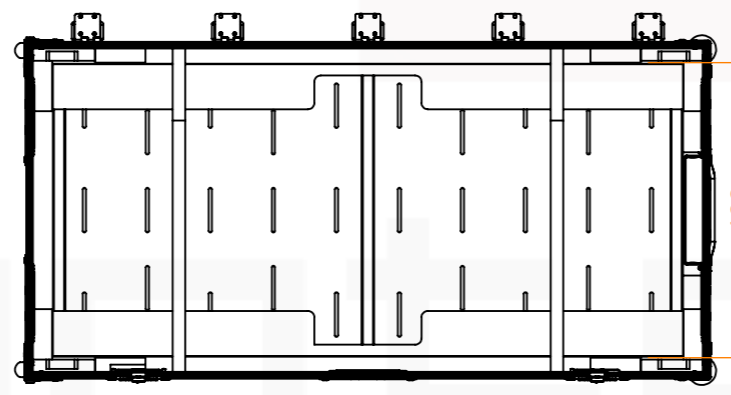
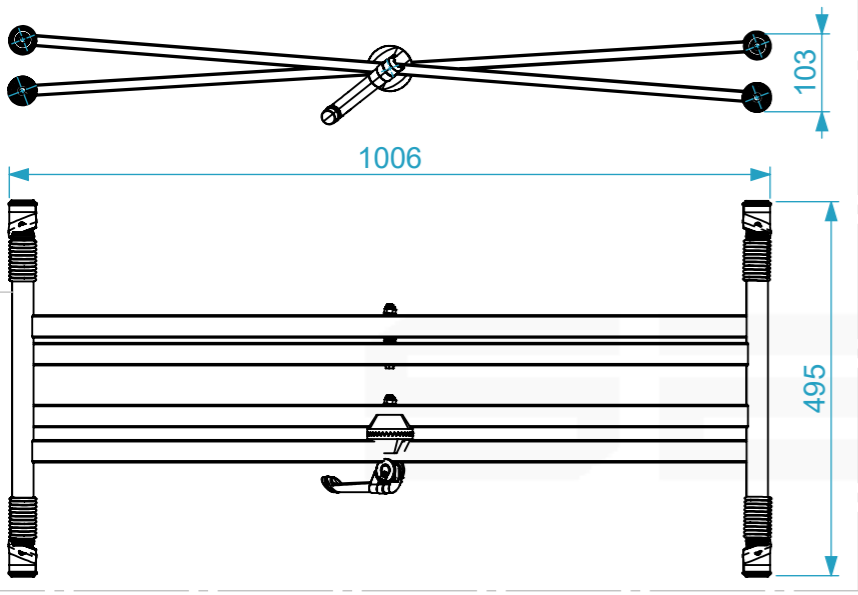
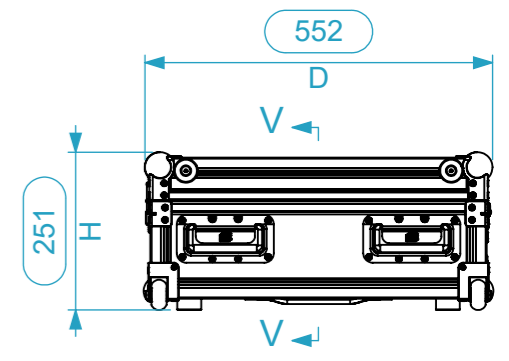
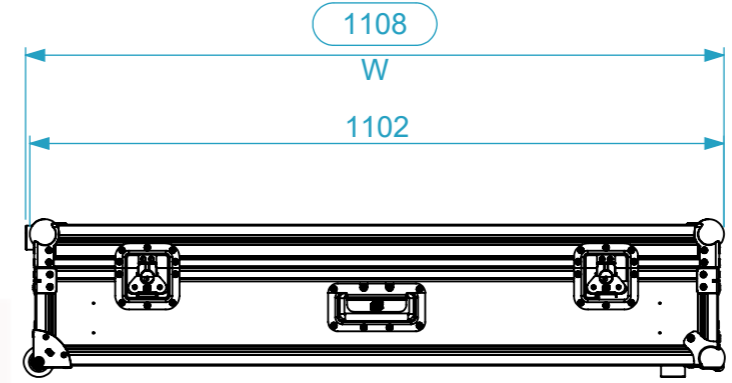
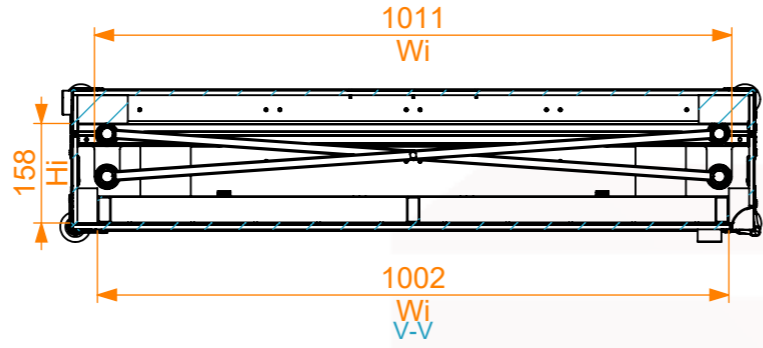
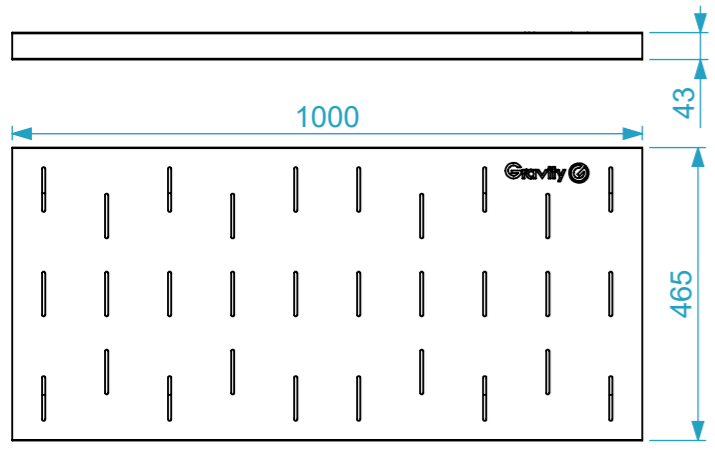


Equipment	KSX 2 RD	
Internal Dimensions		
Width	Depth	Height
504 \ 468	1011 \ 1002	158
FC Weight	Approx. 17 Kg	
Wall Thickness	7mm	



General External Dimensions	
W	Width
D	Depth
H	Height
Usable Inner Dimensions	
Wi	Inside Width
Di	Inside Depth
Hi	Inside Height

Name	jose.couto	
Date	09/04/2025	
Reference	M1AAR.GVTKSX	
Scale	1:12	units in mm
general tolerance	0.8mm	
1st Angle projection	Keyboard stand and desk (GRAVITY KSX 2 RD)	



This drawing must not be copied or disclosed without consent of the owner

A3