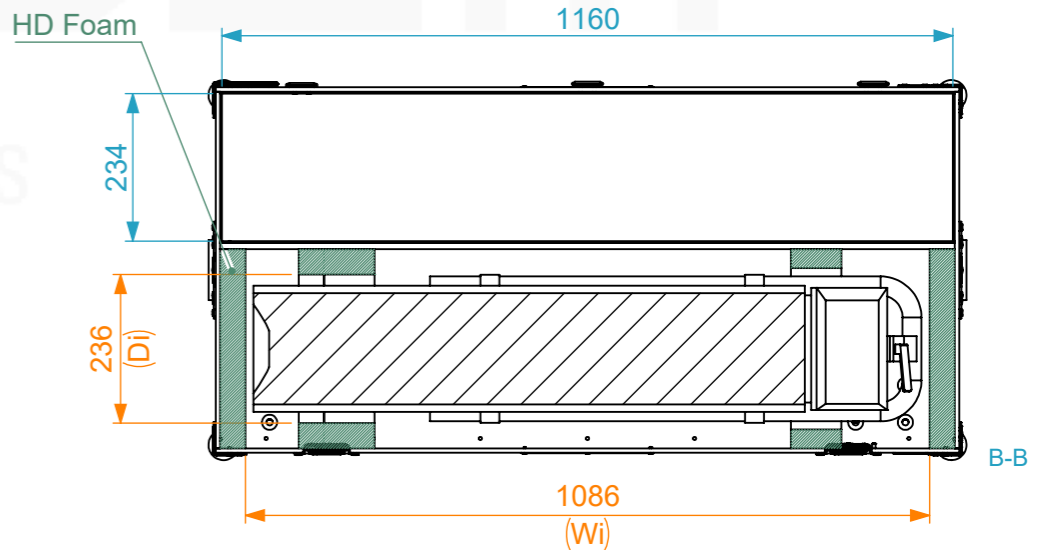
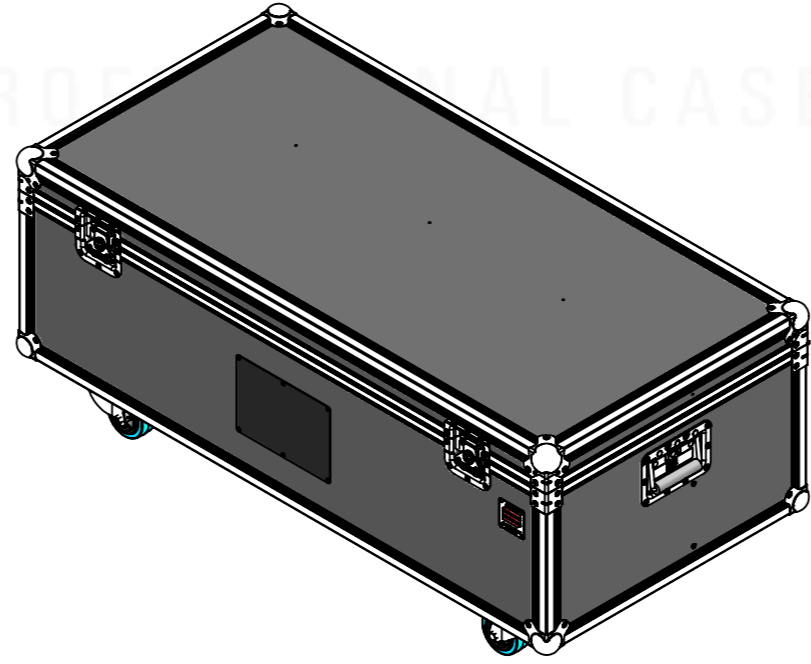
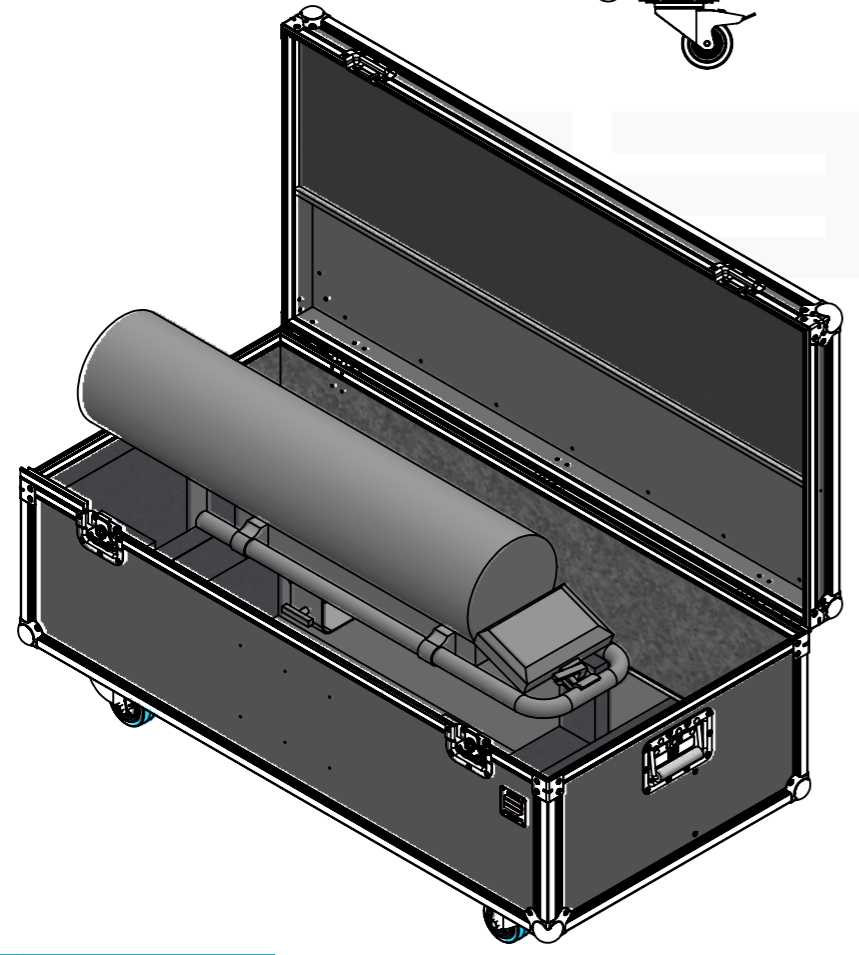
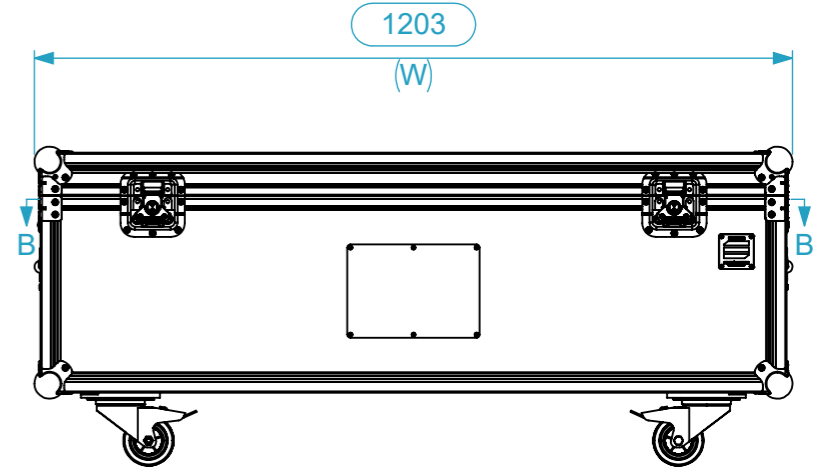
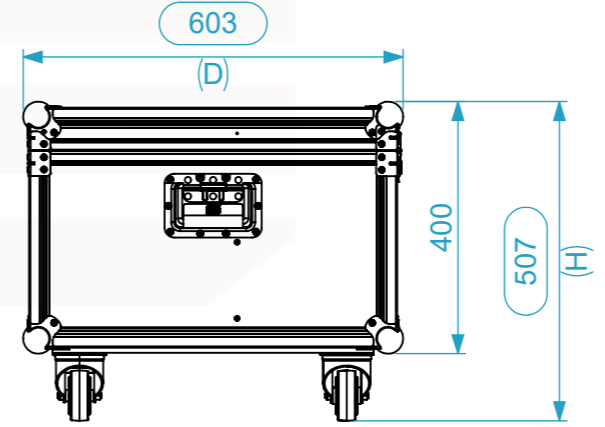
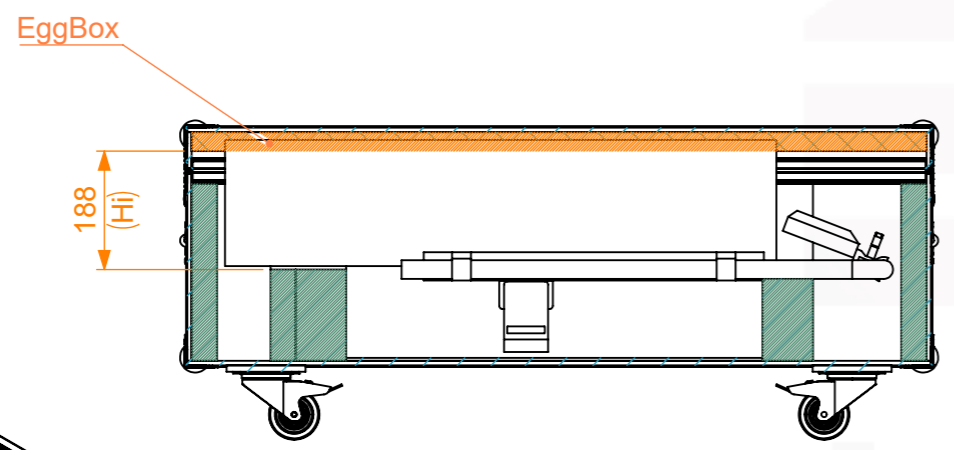
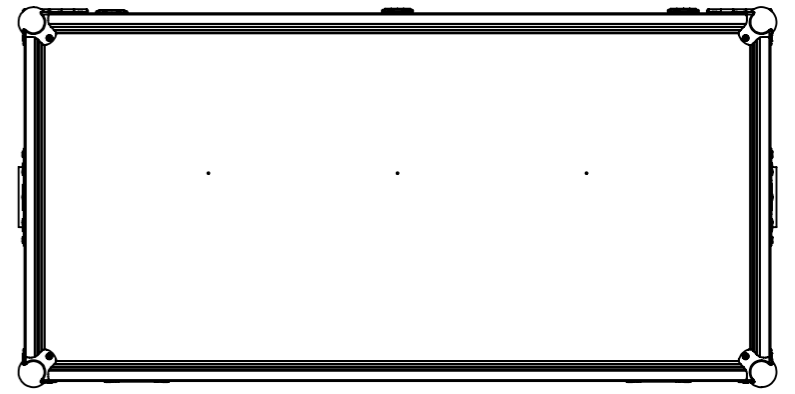


Equipment	Eurolite LED SL-600 DMX	
Width	Depth	Height
1050	230	340
Weight	Approx. 18.50 Kg	
Internal Dimensions		
Width	Depth	Height
1086	220	188
Weight	Approx. 27 Kg	
Wall Thickness		7mm



General External Dimensions	
W	Width
D	Depth
H	Height
Usable Inner Dimensions	
Wi	Inside Width
Di	Inside Depth
Hi	Inside Height

Name	Date
tiago.pais	13/05/2026
Reference	M1.AAR.ERLSL600.01
Scale	1:12
units in mm	general tolerance 0.8mm
DO NOT SCALE	
1st Angle projection	Trunk M1 Eurolite LED SL-600 DMX



This drawing must not be copied or disclosed without consent of the owner

A3