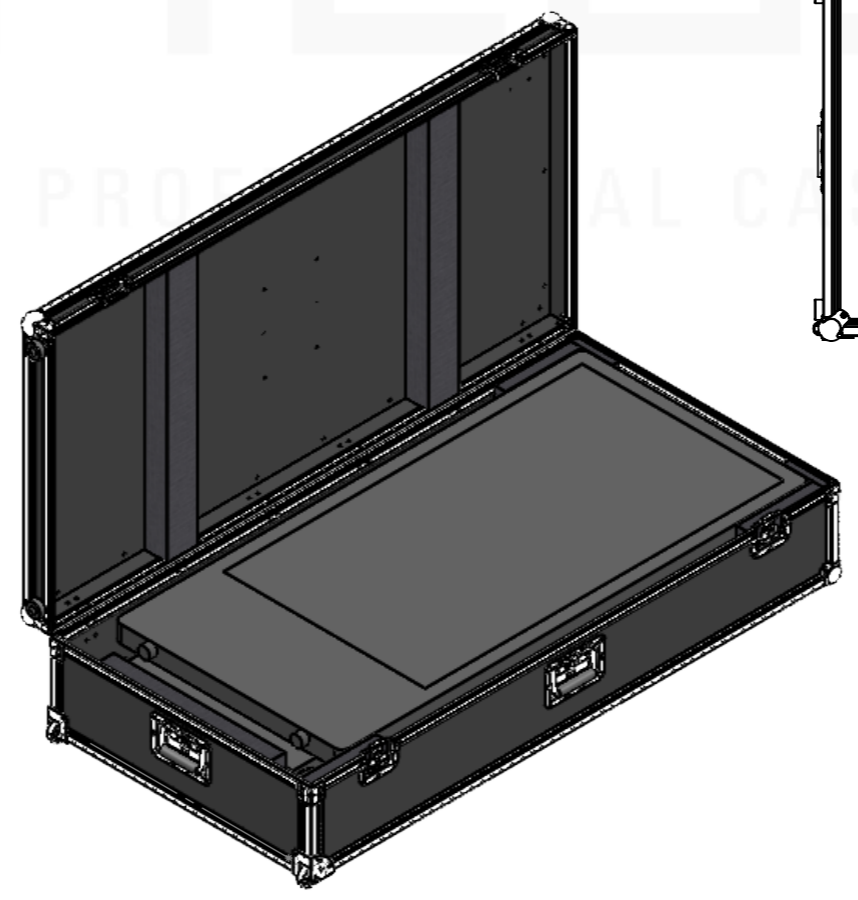
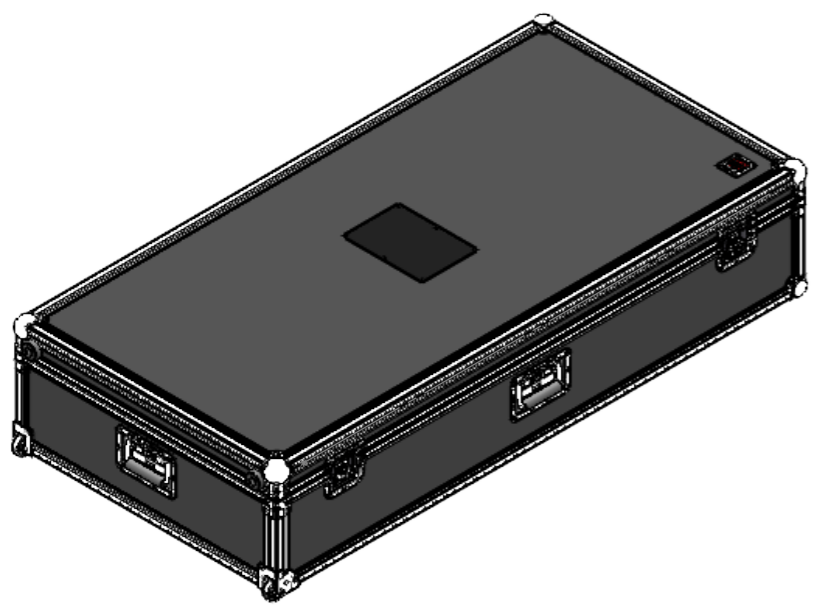
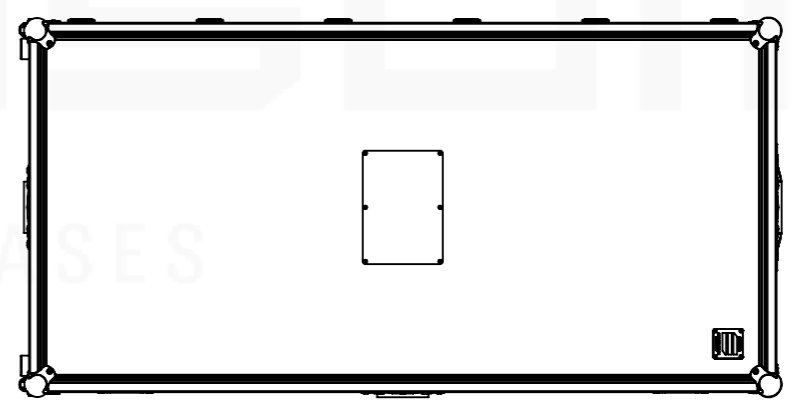
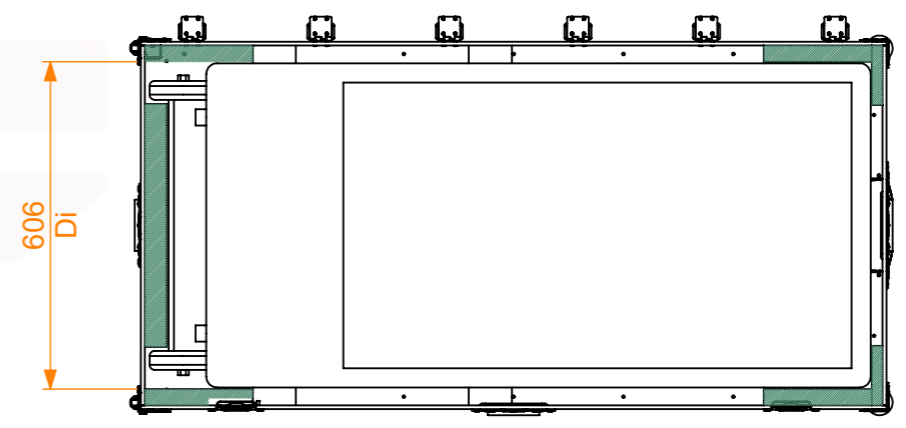
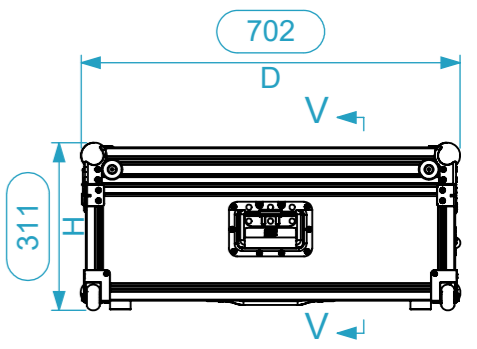
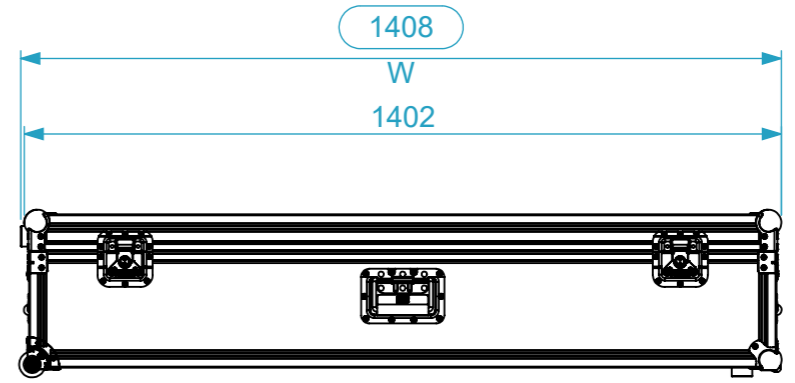
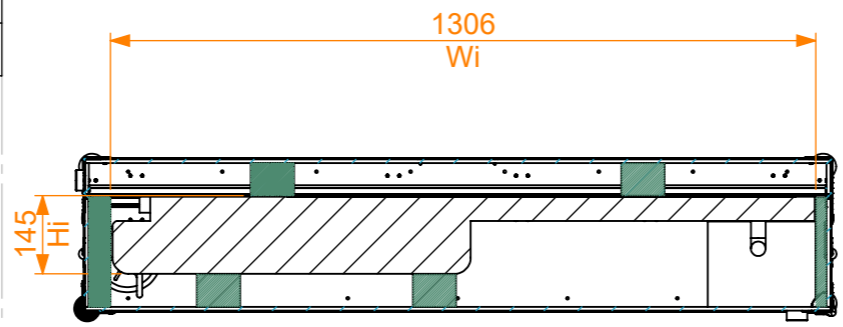
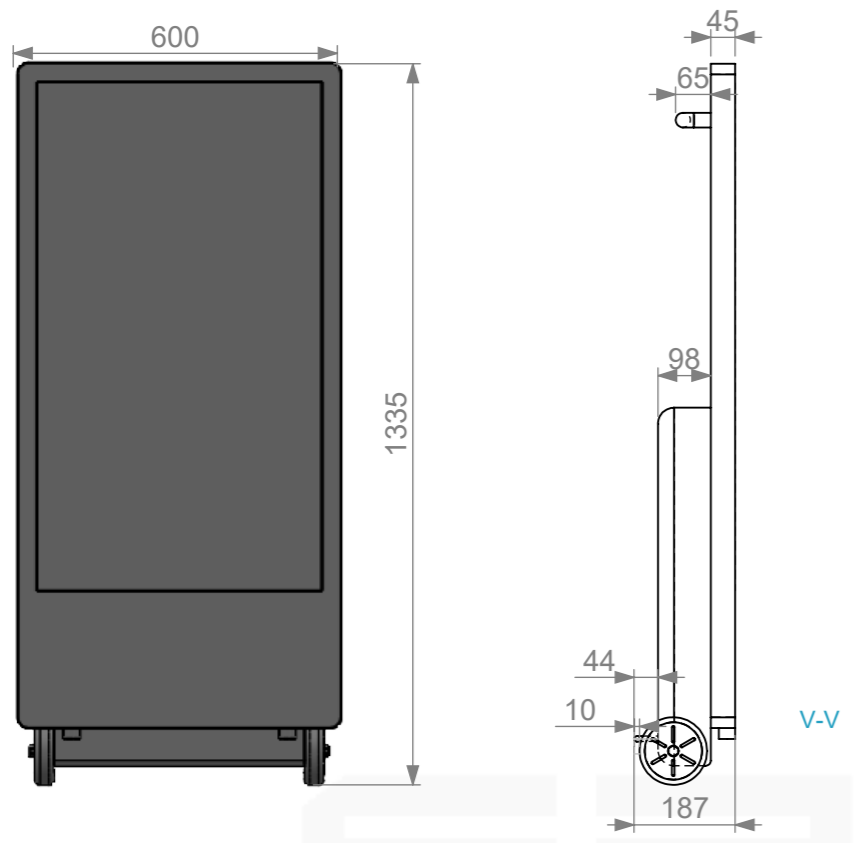


Equipment	A-board	
Internal Dimensions		
Width	Depth	Height
1306	606	145
FC Weight	Approx. 22 Kg	
Wall Thickness		7mm



General External Dimensions	
W	Width
D	Depth
H	Height
Usable Inner Dimensions	
Wi	Inside Width
Di	Inside Depth
Hi	Inside Height

Name	rita.monteiro	Date	16/06/2026
Reference	M1AAR.ABD140		
Scale	1:14	units in mm	general tolerance 0.8mm
1st Angle projection	A-Board		



A3 This drawing must not be copied or disclosed without consent of the owner