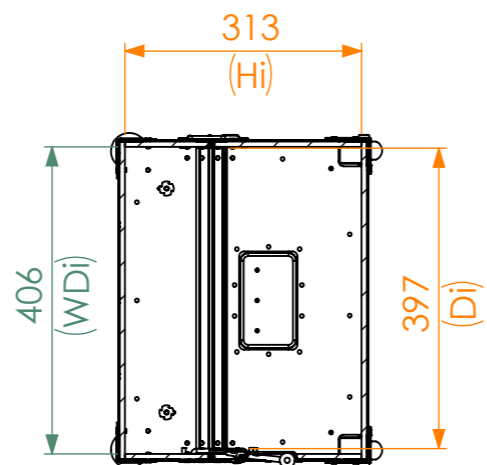
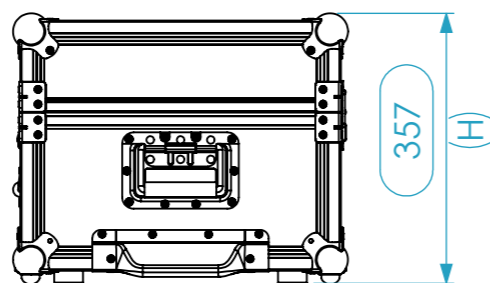
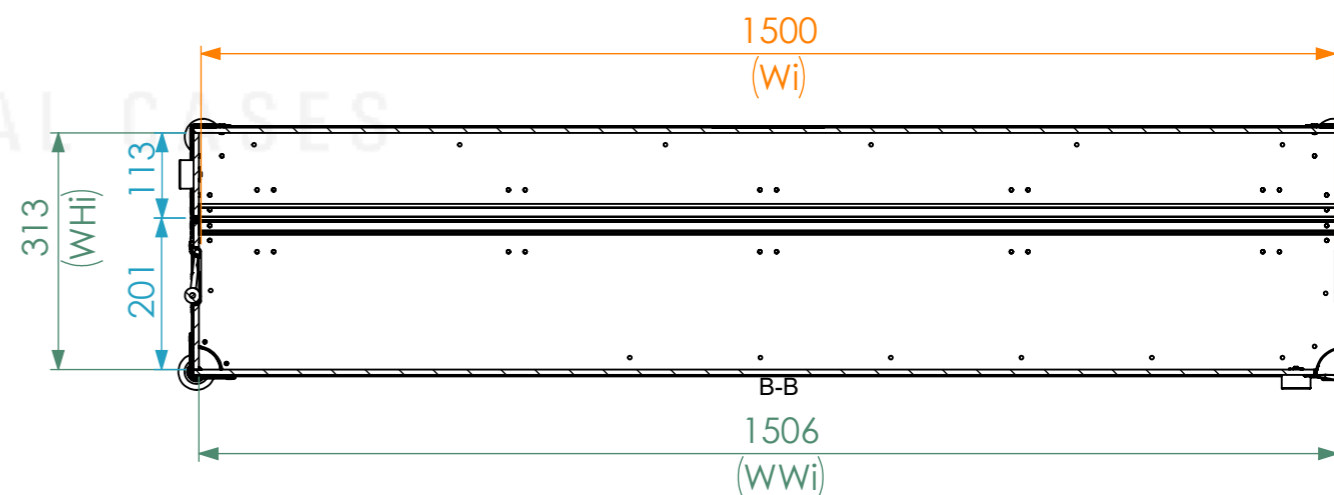
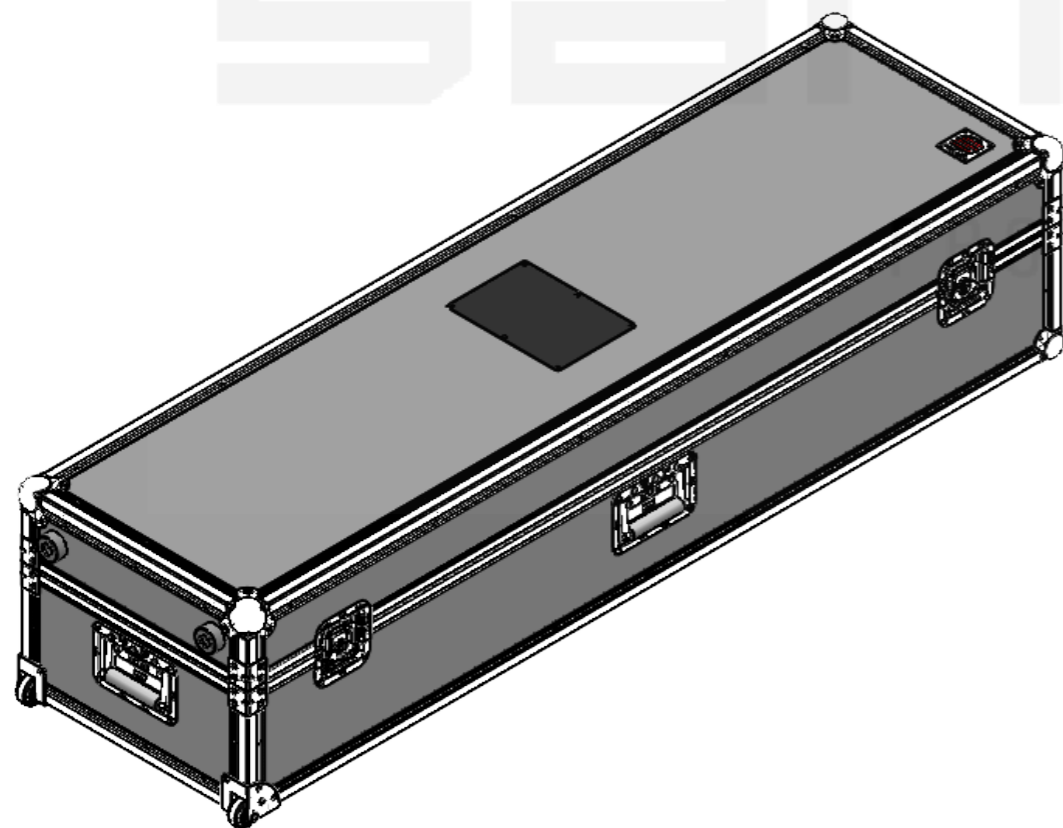
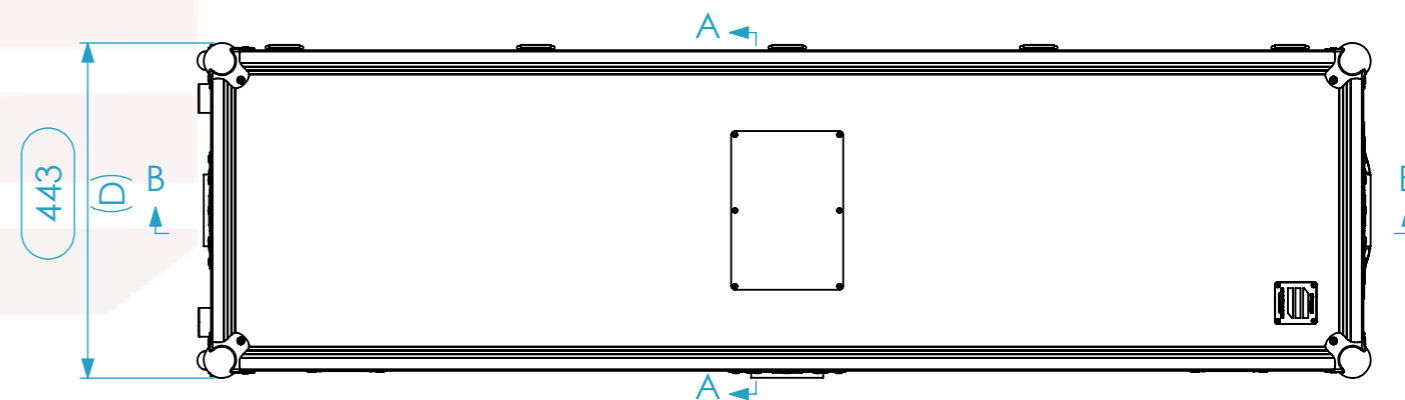
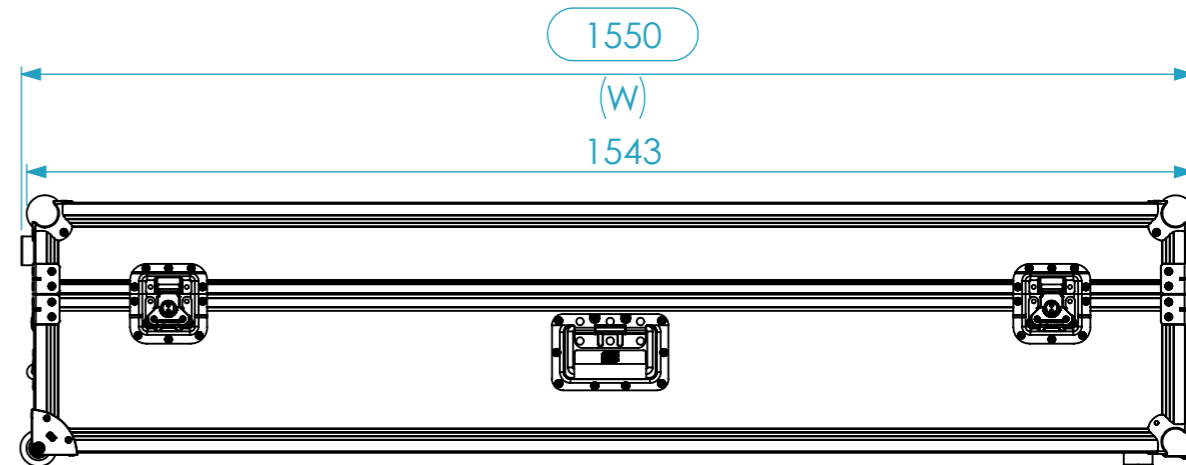


### Internal Dimensions

Width	Depth	Height
1503	397	313
<b>Weight</b>	Approx. 18Kg	
<b>Wall Thickness</b>		7mm



A-A



General External Dimensions		Usable Inner Dimensions (UID)		Wood Inner Dimensions (WID)	
W	Width	Wi	Inside Width	WWi	Wood Inside Width
D	Depth	Di	Inside Depth	WDi	Wood Inside Depth
H	Height	Hi	Inside Height	WHi	Wood Inside Height

Drawn by	rita.monteiro	Date	09/12/2025
Reference	M1AAR.1544435		
Scale	1:10	units in mm	general tolerance 0.8mm
1st Angle projection	FC M1AAR.1503x403x313		



This drawing must not be copied or disclosed without consent of the owner

A3