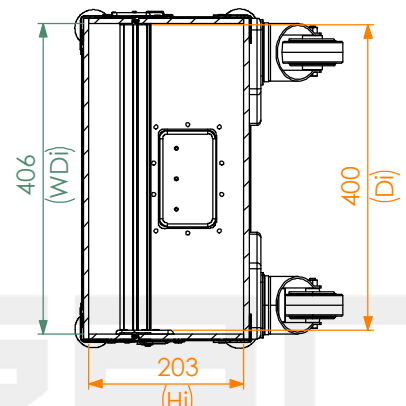
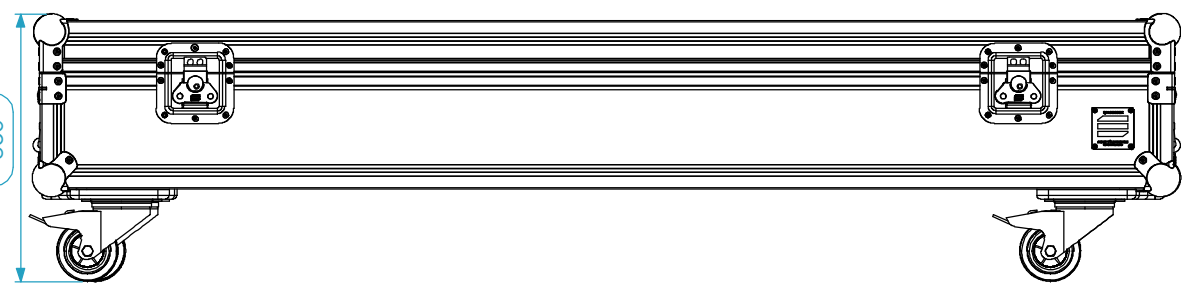
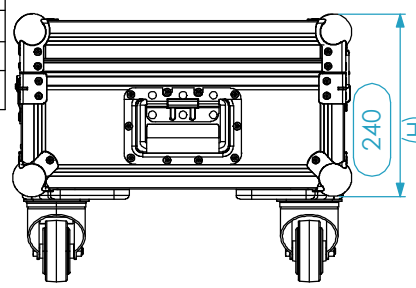
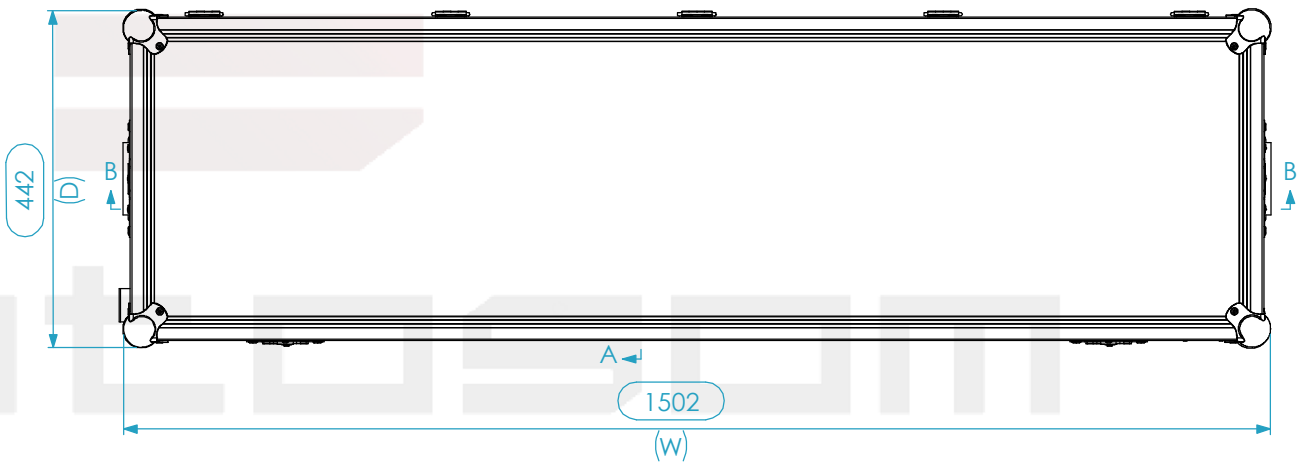


Internal Dimensions		
Width	Depth	Height
1463	400	203
Weight	Approx. 18 Kg	
Wall Thickness		7mm

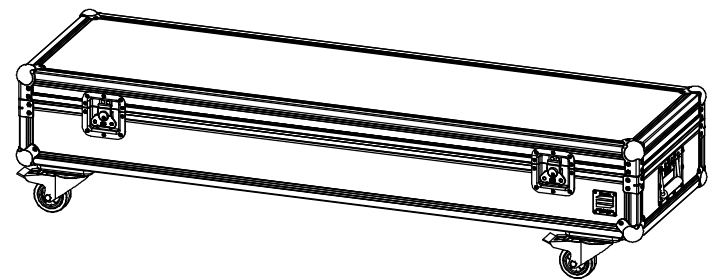
General External Dimensions	
W	Width
D	Depth
H	Height
Usable Inner Dimensions (UID)	
Wi	Inside Width
Di	Inside Depth
Hi	Inside Height
Wood Inner Dimensions (WID)	
WWi	Wood Inside Width
WDi	Wood Inside Depth
WHi	Wood Inside Height



A-A



B-B



This drawing must not be copied or disclosed without consent of the owner



Scale	1:7	units in mm	general tolerance 0.8mm
Reference	M1AA.1504424		
FLIGHTCASE M1AAR 1463X403X203 CM INNER DIM.			

