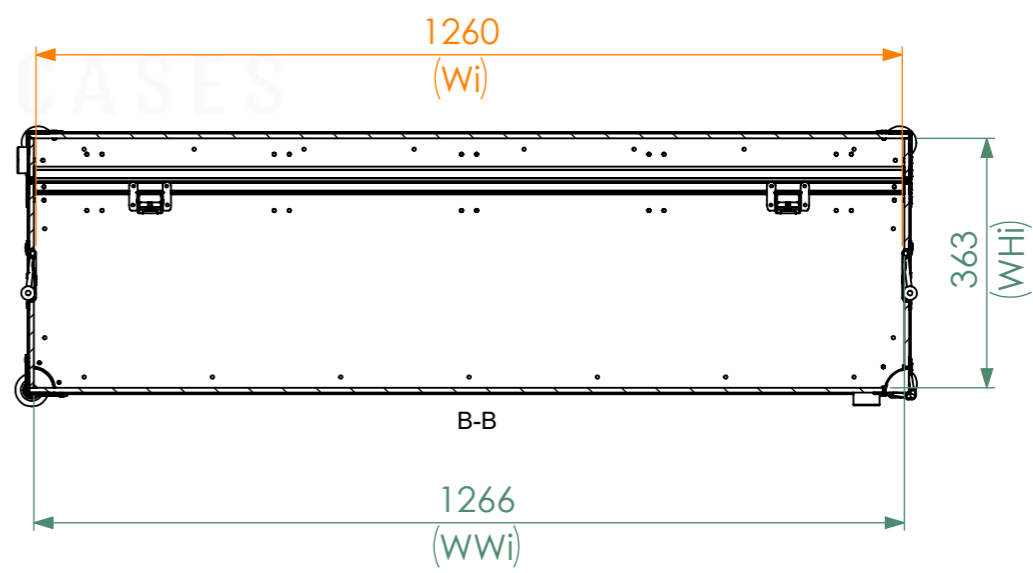
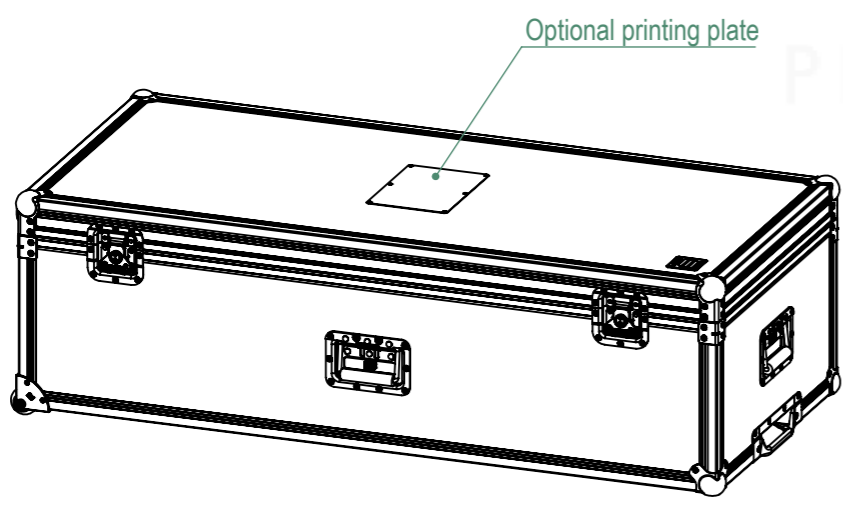
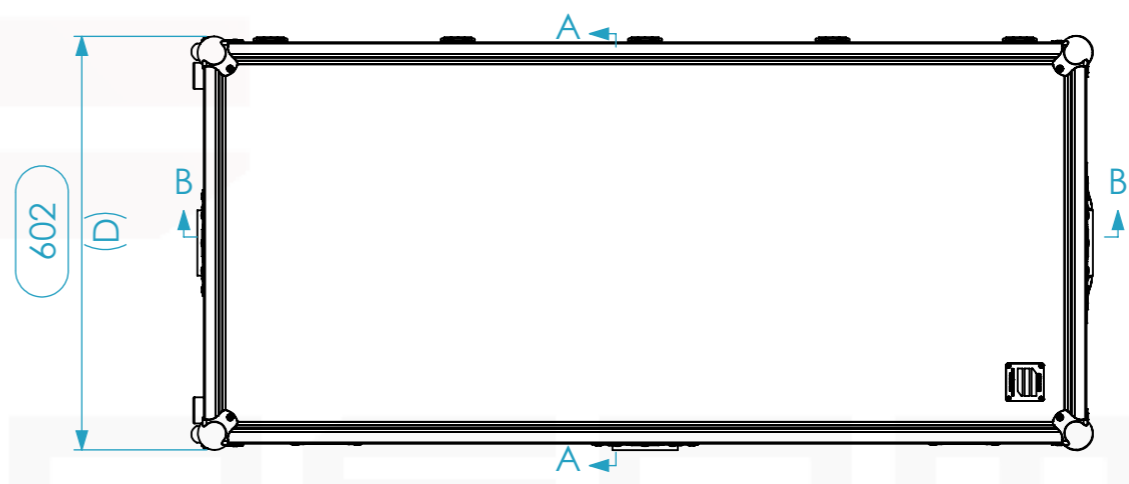
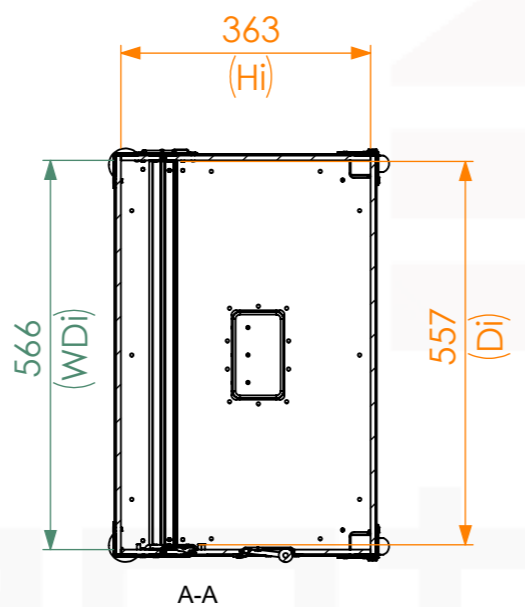
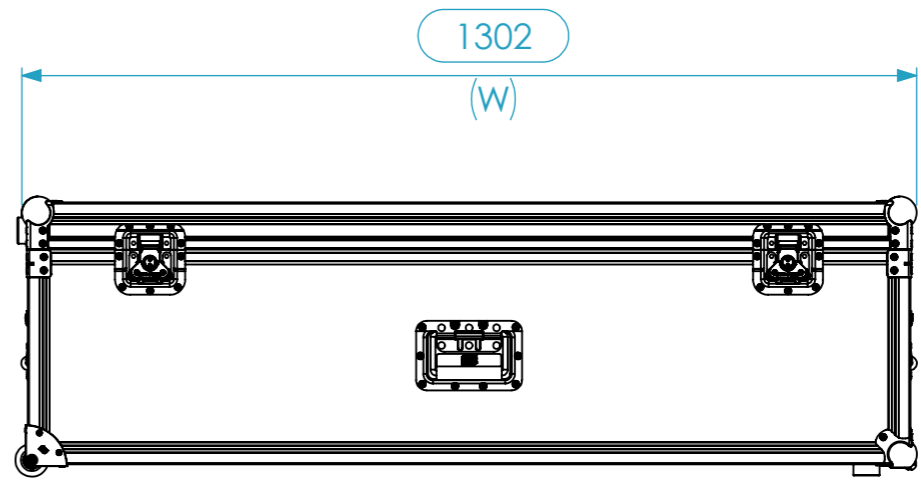
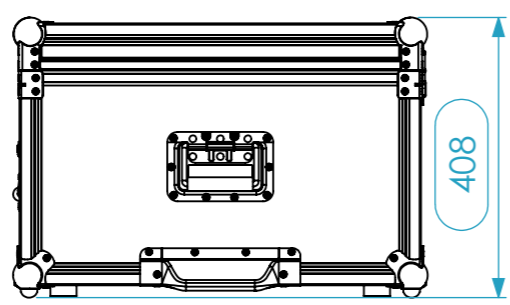


Internal Dimensions		
Width	Depth	Height
1263	557	363
Weight	Approx. 20 Kg	
Wall Thickness		7mm



General External Dimensions		Usable Inner Dimensions (UID)		Wood Inner Dimensions (WID)	
W	Width	Wi	Inside Width	WWi	Wood Inside Width
D	Depth	Di	Inside Depth	WDi	Wood Inside Depth
H	Height	Hi	Inside Height	WHi	Wood Inside Height

Name	Date
Drawn by: tiago.pais	27/05/2026
Reference: M1AAR.1306040	
Scale: 1:1	units in mm, general tolerance 0.8mm
FC M1AAR. 1260x557x363	



This drawing must not be copied or disclosed without consent of the owner



A3