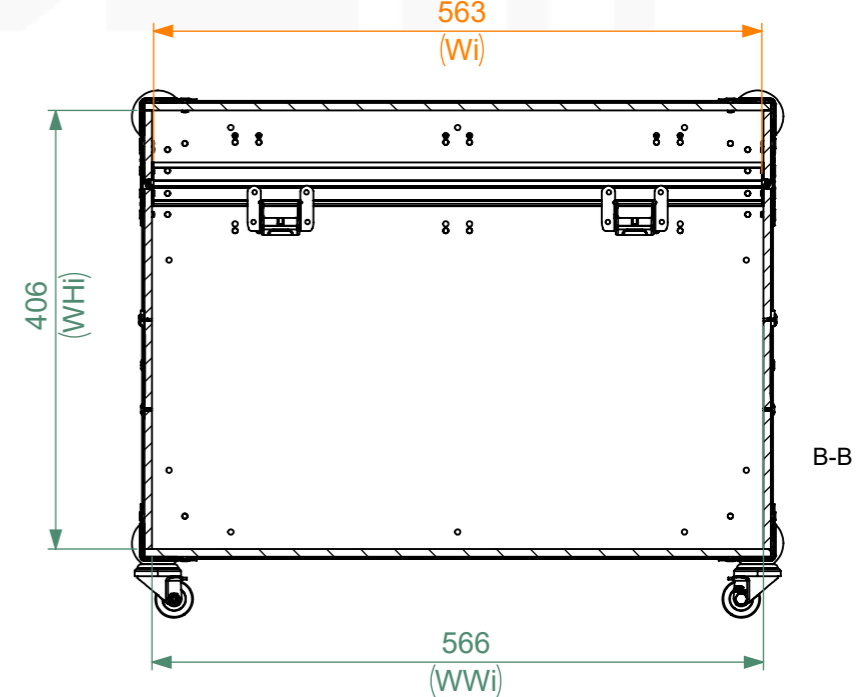
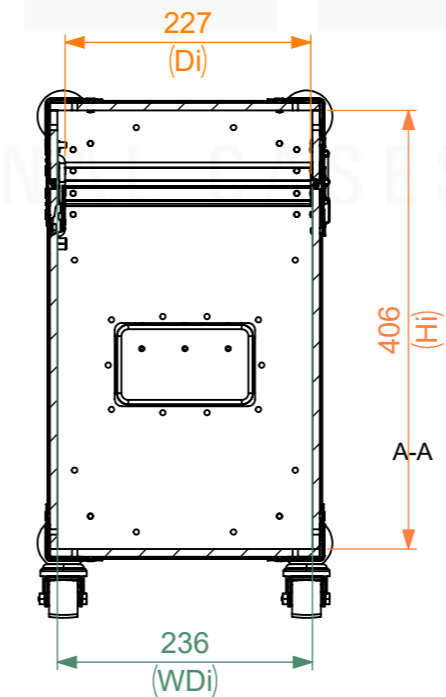
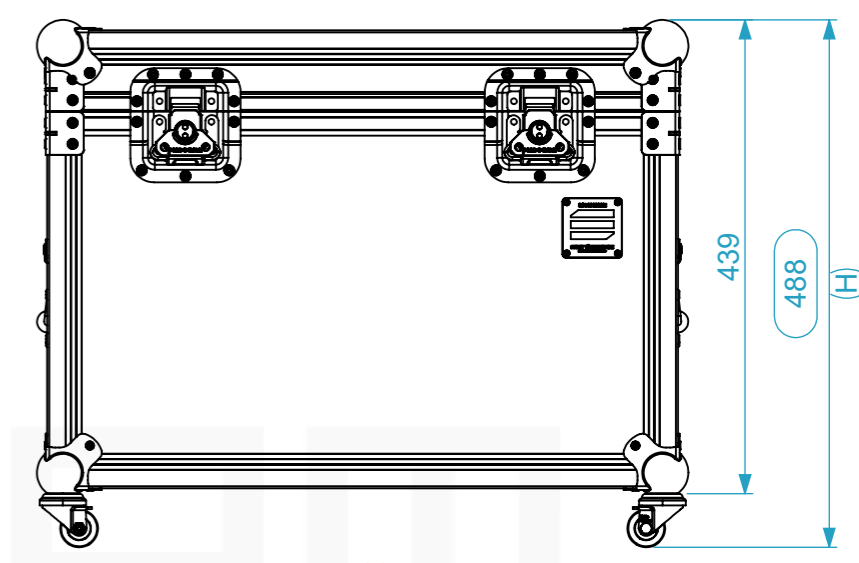
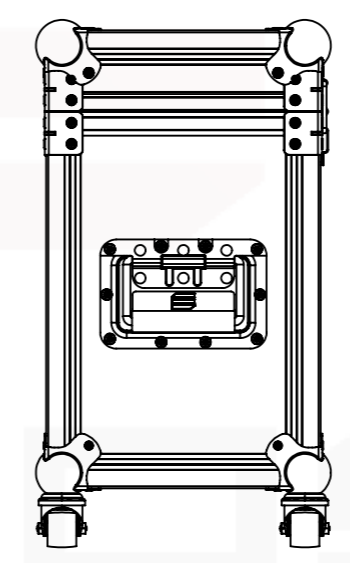
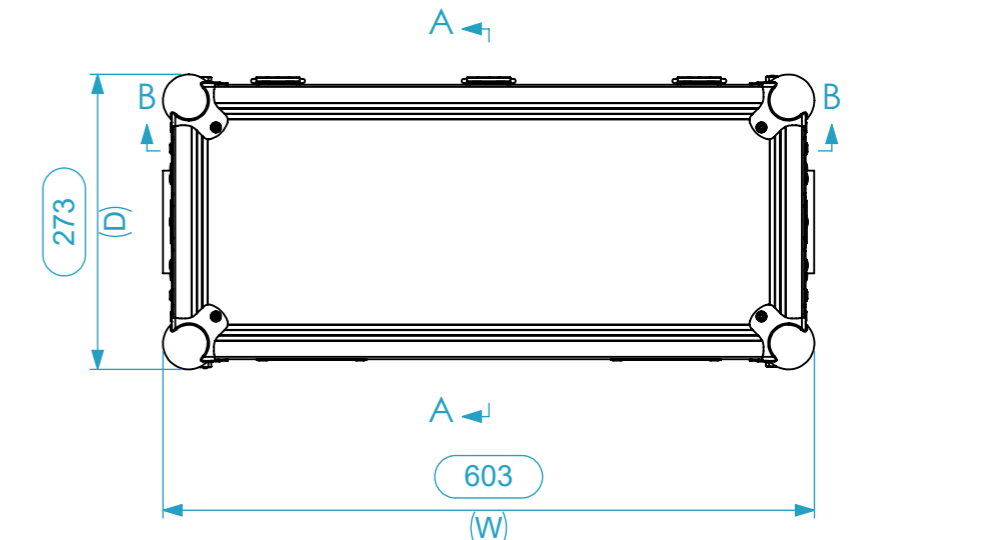
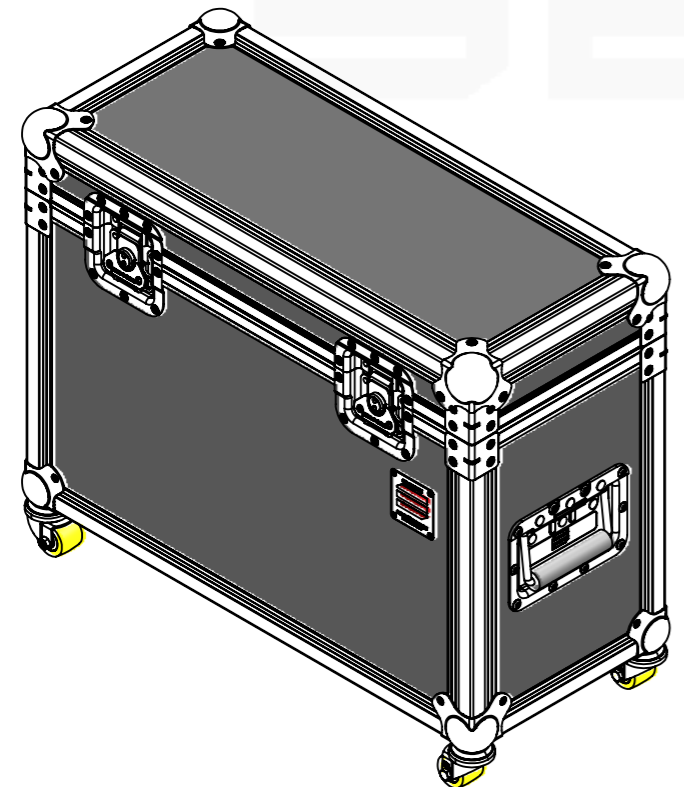
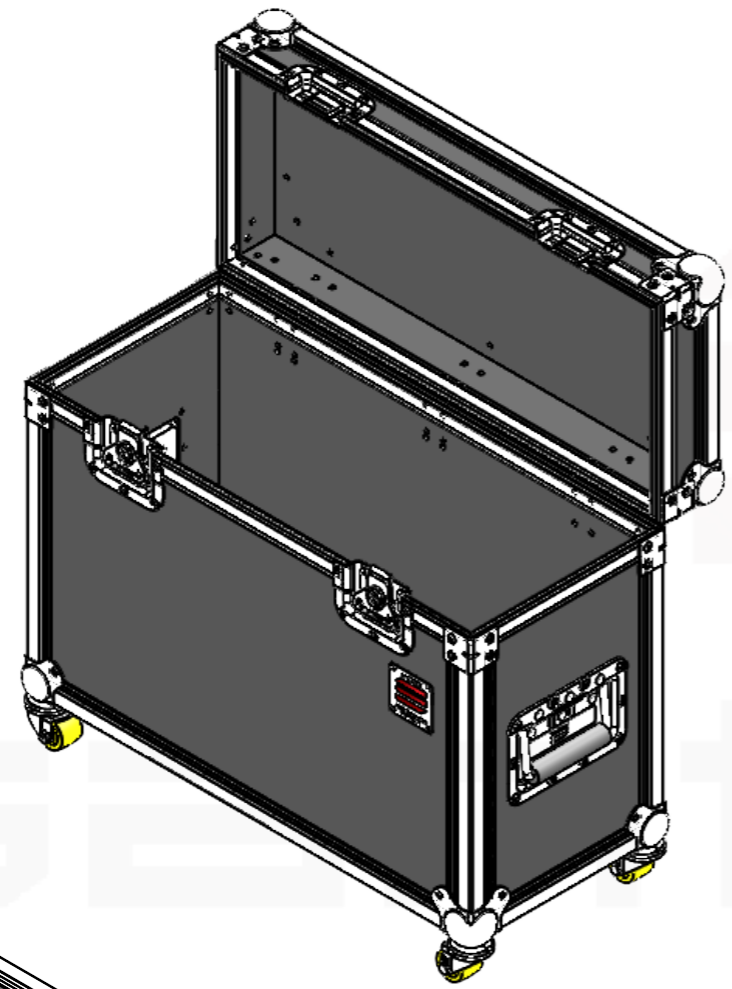


Dimensões

Comprimento	Largura	Altura
563	233	403
Peso	Approx. 9 Kg	
Espessura	7mm	



General External Dimensions		Usable Inner Dimensions (UID)		Wood Inner Dimensions (WID)	
W	Width	Wi	Inside Width	WWi	Wood Inside Width
D	Depth	Di	Inside Depth	WDi	Wood Inside Depth
H	Height	Hi	Inside Height	WHi	Wood Inside Height

Name	Date
Drawn by: guilherme.santos	12/05/2026
Reference	M1AAR.0602744
Scale	1:7
units in mm	general tolerance 0.8mm
DO NOT SCALE	
Malão STD, M1 60.27.44 (563X233X403)	



This drawing must not be copied or disclosed without consent of the owner



A3