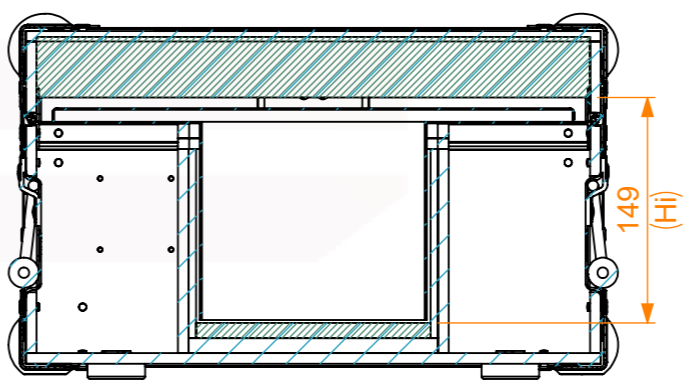
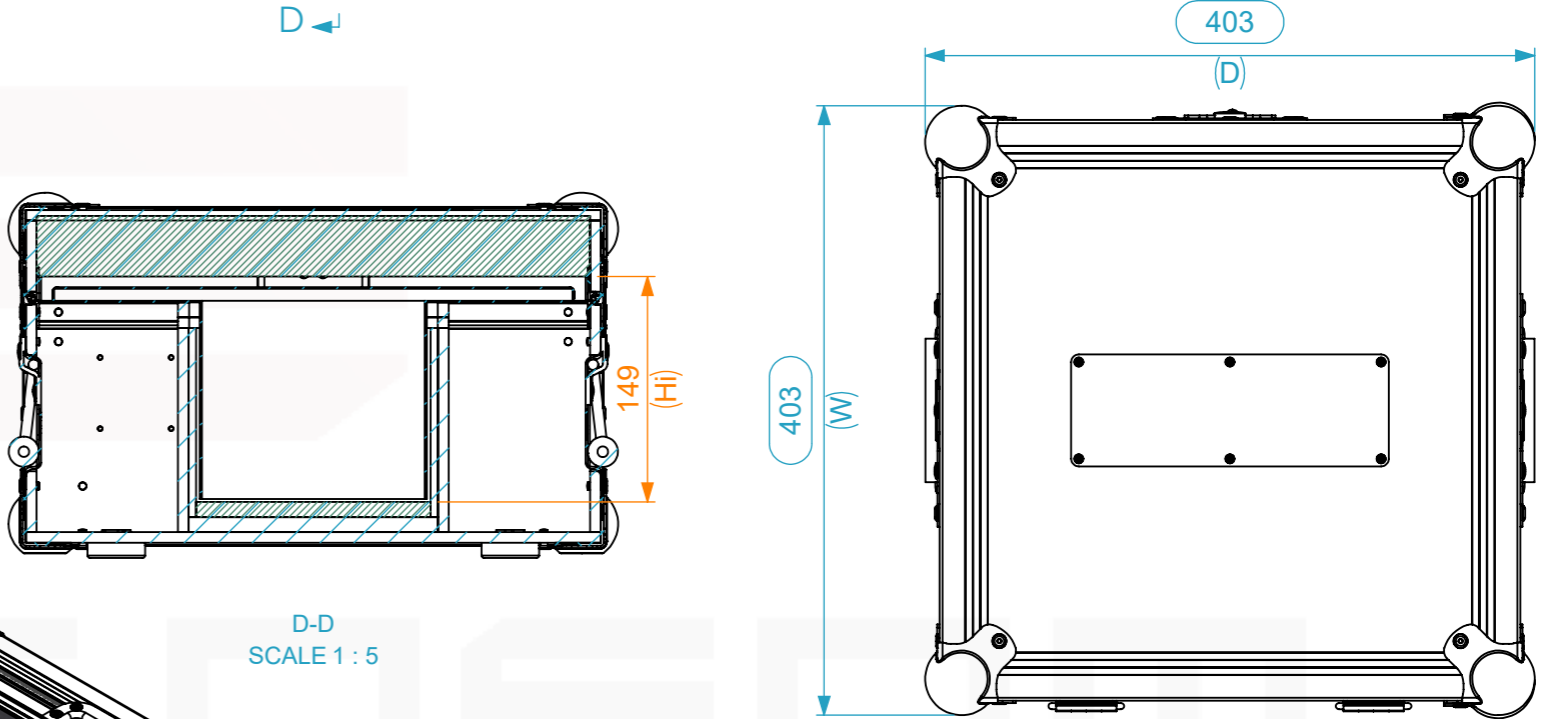
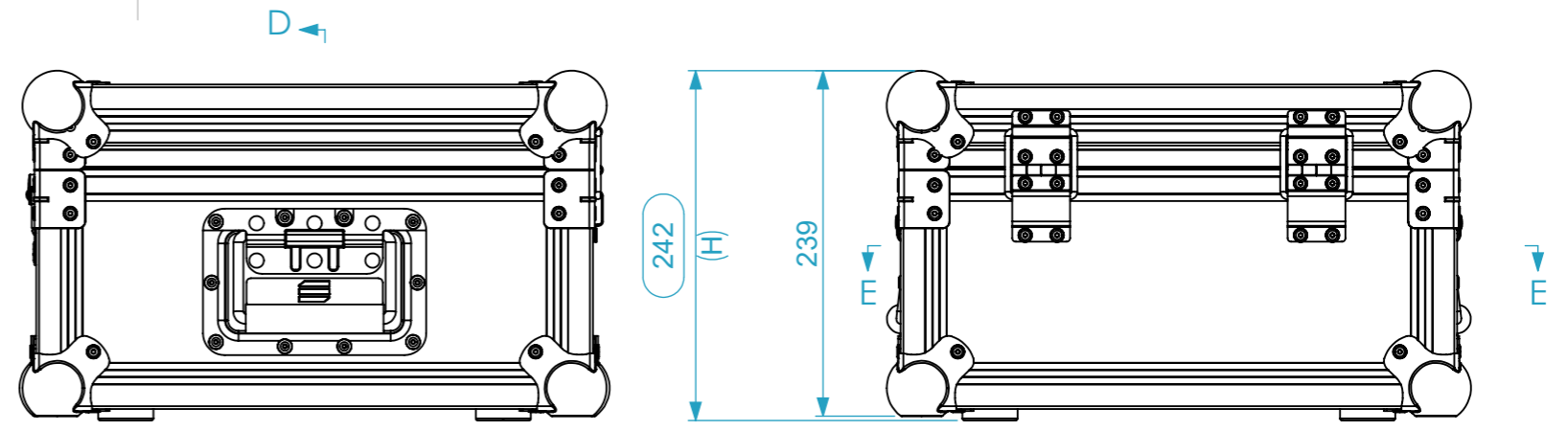
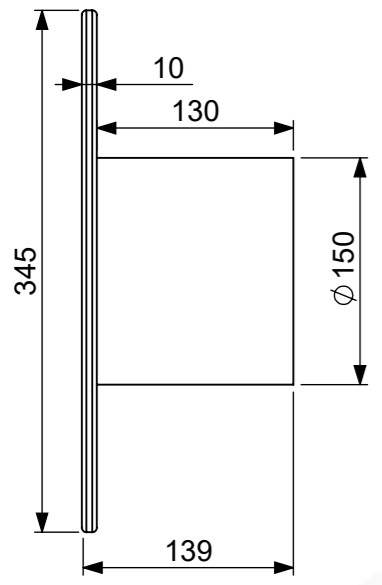
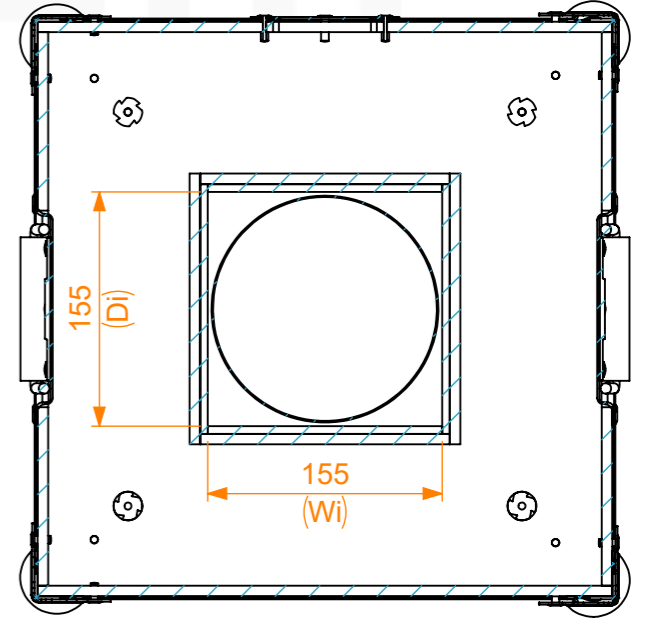
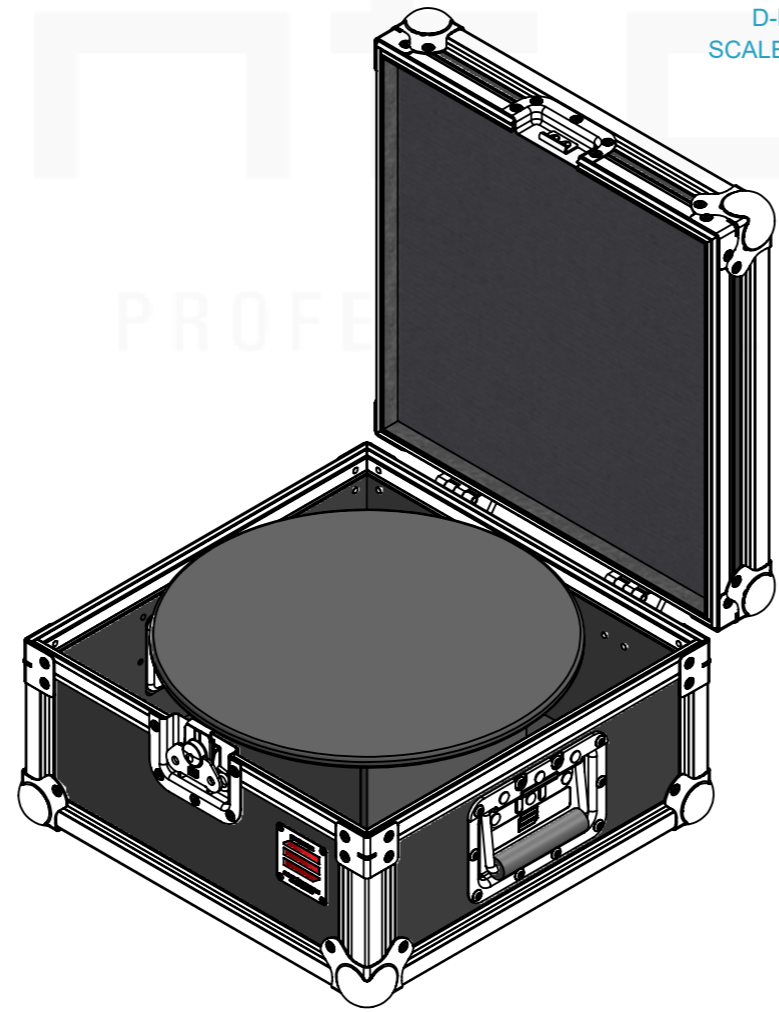
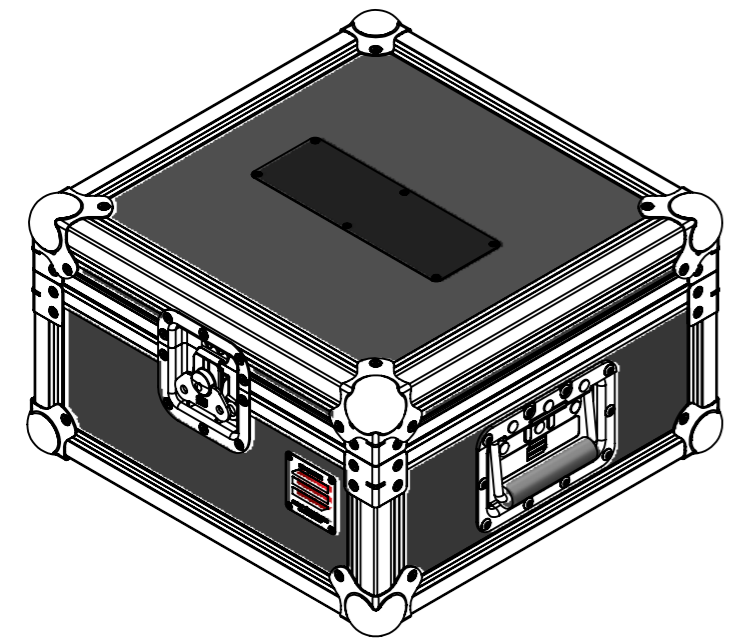


Equipment		SHURE HA4540	
Width	Depth	Height	
345	345	139	
Weight	Approx. 2 Kg		
Internal Dimensions			
Width	Depth	Height	
155	155	149	
Weight	Approx. 7 Kg		
Wall Thickness			7mm



D-D
SCALE 1:5



E-E

General External Dimensions		Usable Inner Dimensions	
W	Width	Wi	Inside Width
D	Depth	Di	Inside Depth
H	Height	Hi	Inside Height

Drawn by	Name	Date
tiago.pais	tiago.pais	08/06/2026
Reference	M1AA.SHUHA4540	
Scale	units in mm	general tolerance
1:8	DO NOT SCALE	0.8mm
Hand case, Antena SHURE HA4540		



A3 This drawing must not be copied or disclosed without consent of the owner

