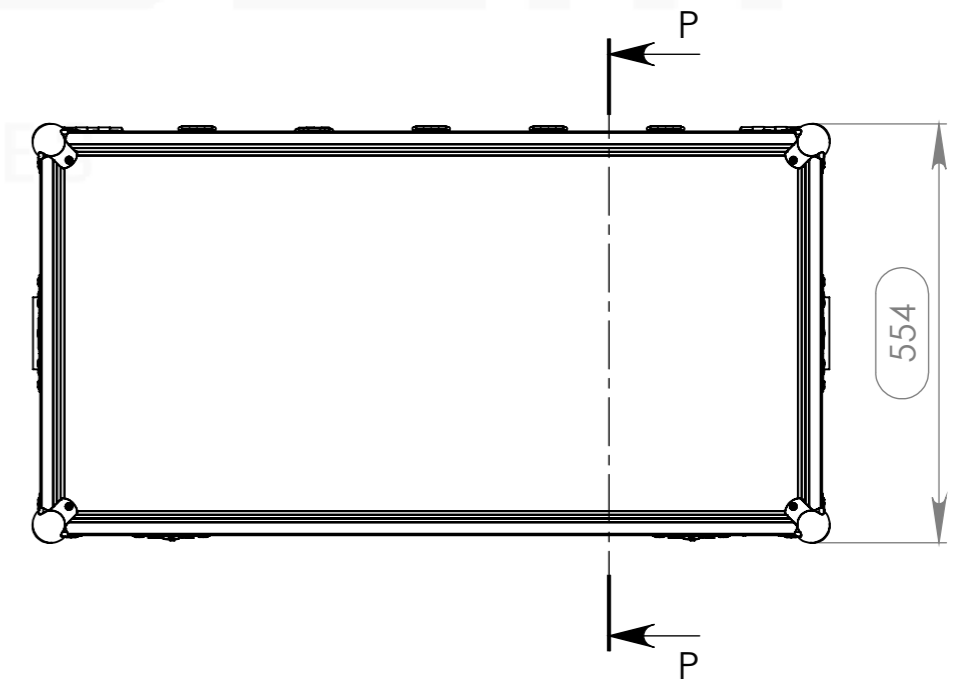
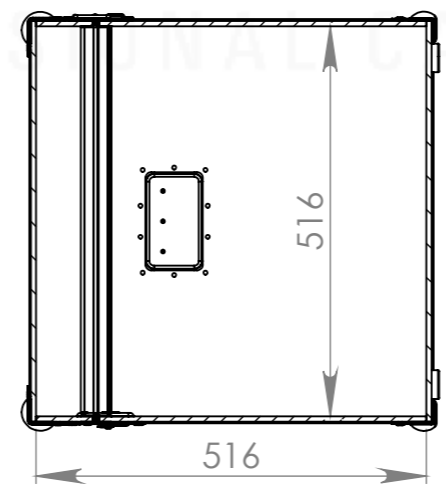
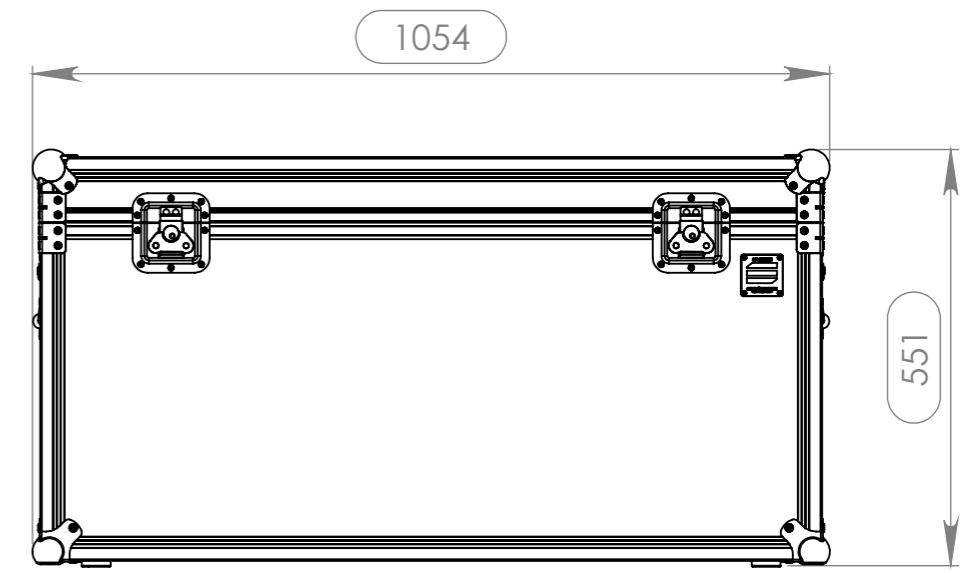
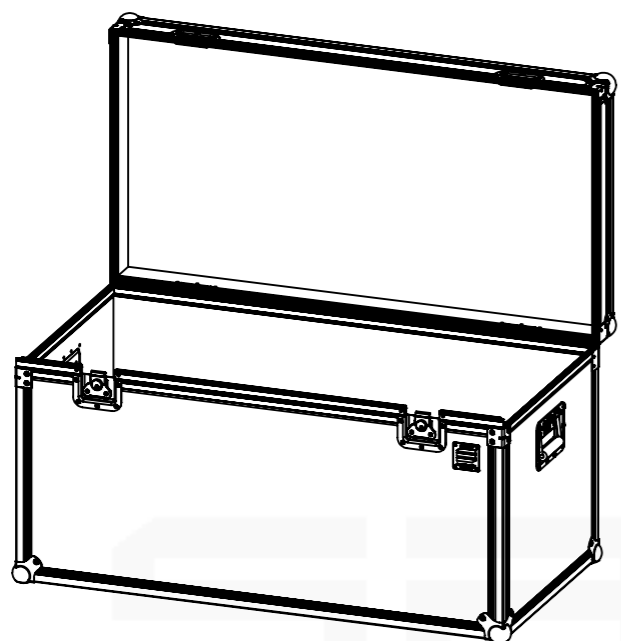


Internal Dimensions

Width	Depth	Height
1013	513	516
Weight	Approx. 19 Kg	
Wall Thickness		7mm



SECTION P-P
internal dimensions

Hardware		
Qty	Ref.	Description
4	40403	Large corner bracket f. 35mm case angle
4	4120	Heavy duty ball corner, zinc plated
1	CHAPA.1000	Identification Plate
2	DCR110	Combination of Hinge and 2 Corner Braces
5	2524	HEAVY DUTY STRUT HINGE WITH BLACK PLATE
4	4122	Medium ball corner zinc plated with stacking dimple
4	4906	38 mm rubber foot black H:10 mm.
2	17290S	Key lockable medium Butterfly special
2	34082	Recessed sprung handle medium model

This drawing must not be copied or disclosed without consent of the owner

Drawn by	Name	Date
projects	projects	16/03/2017
Reference	M1AA.105555	
Scale	units in mm	general tolerance
1:10	DO NOT SCALE	0.8mm
FC M1AA. 1013X513X516		



A3

