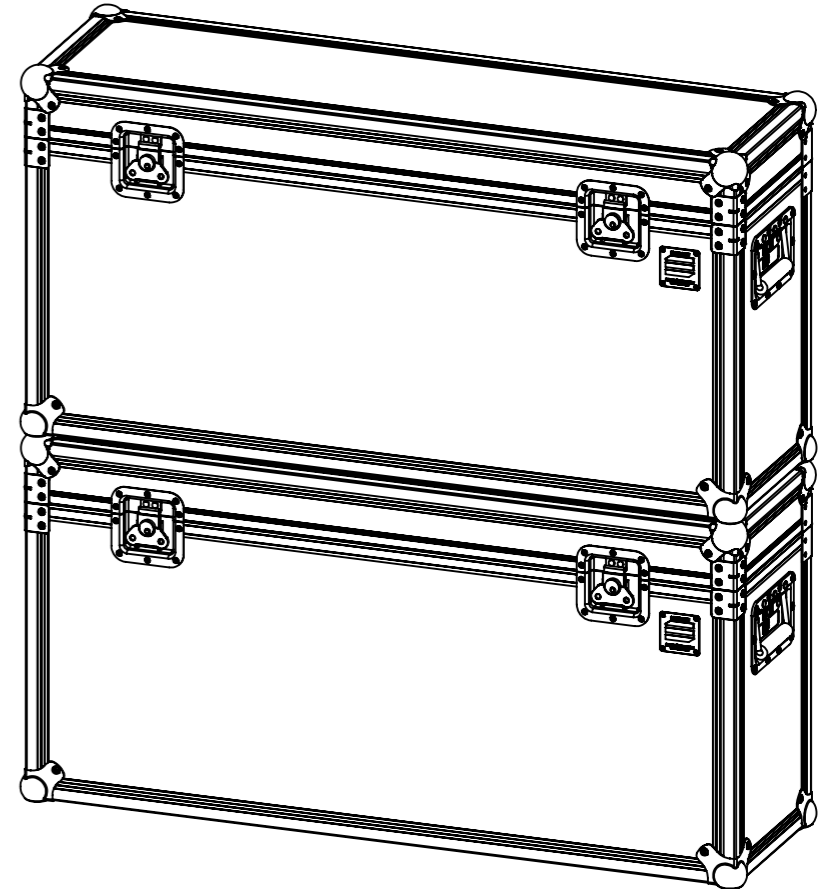
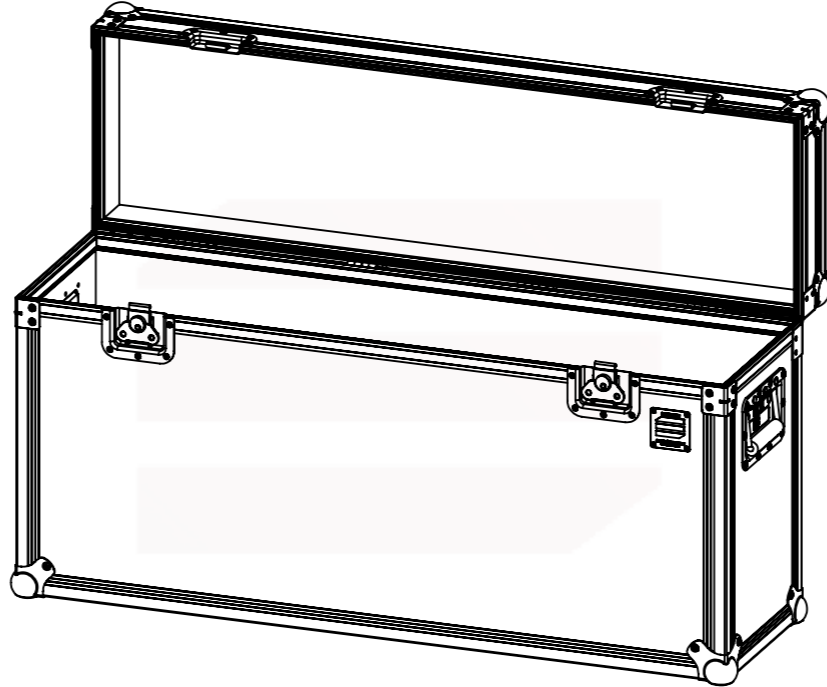
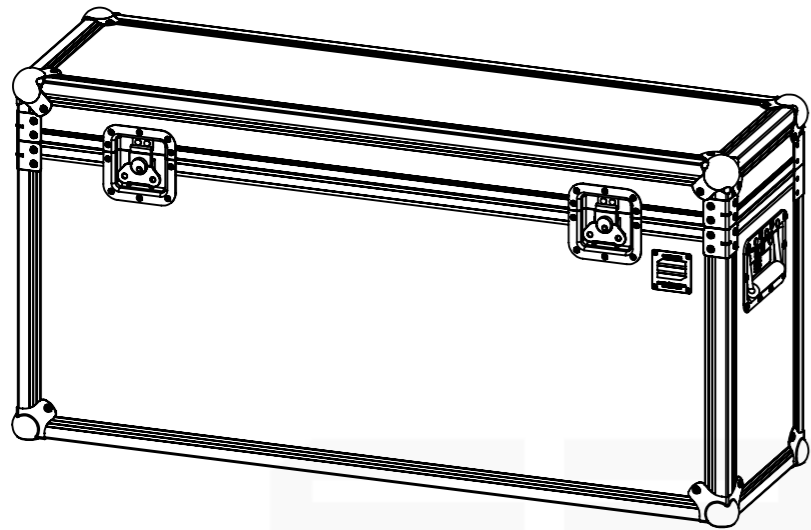
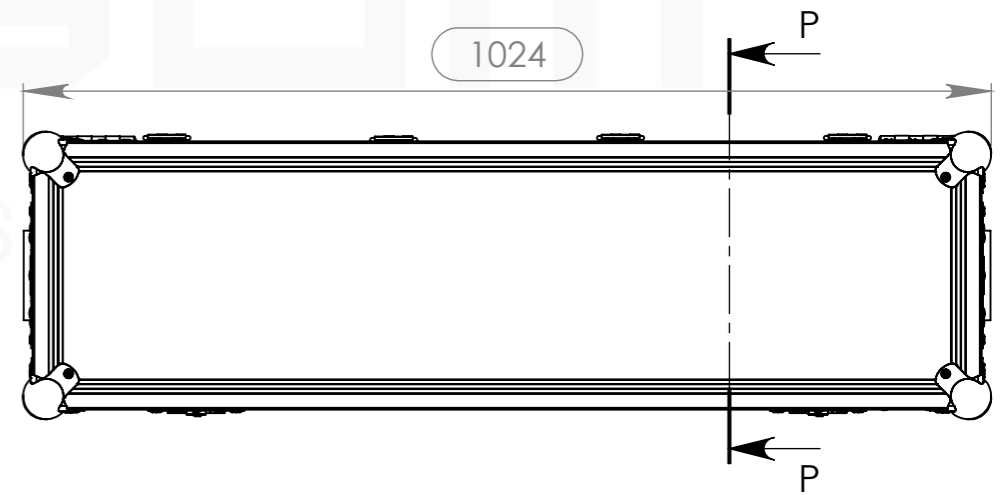
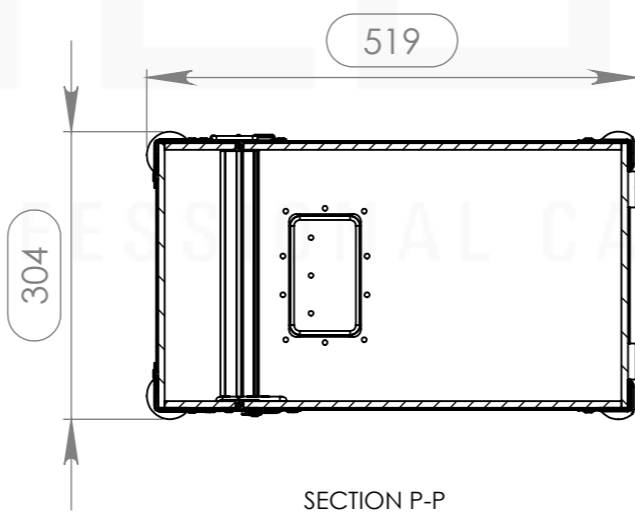


Internal Dimensions

Width	Depth	Height
983	263	483
Weight	Approx. 14 Kg	
Wall Thickness		7mm



Hardware		
Qty	Ref.	Description
4	40403	Large corner bracket f. 35mm case angle
4	4120	Heavy duty ball corner, zinc plated
1	CHAPA.1000	Identification Plate
2	17290S	Key lockable medium Butterfly special
2	34082	Recessed sprung handle medium model
2	DCR110	110MM hinge shot
4	2524	HEAVY DUTY STRUT HINGE WITH BLACK PLATE
4	4122	Medium ball corner zinc plated with stacking dimple
4	4906	38 mm rubber foot black H:10 mm.



This drawing must not be copied or disclosed without consent of the owner

Drawn by	Name	Date
joao	joao	29/11/2016
Reference	M1AA.1023052	
Scale	units in mm	general tolerance
1:8	DO NOT SCALE	0.8mm
FLIGHTCASE M1, 983X263X483		



A3