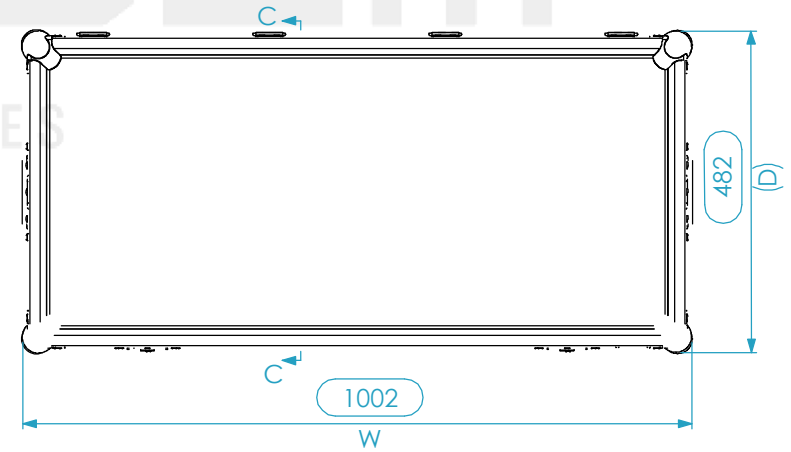
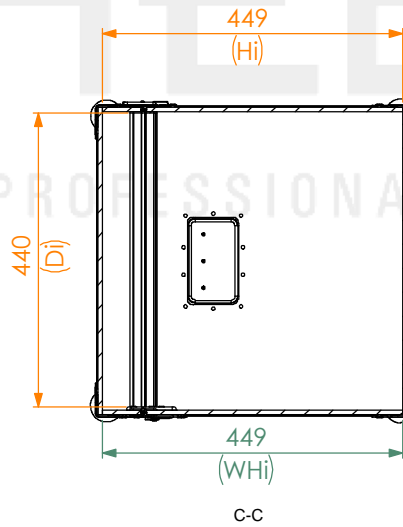
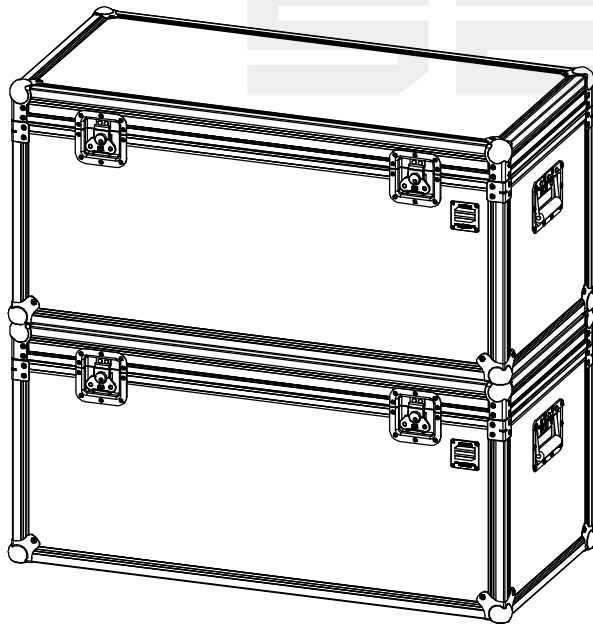
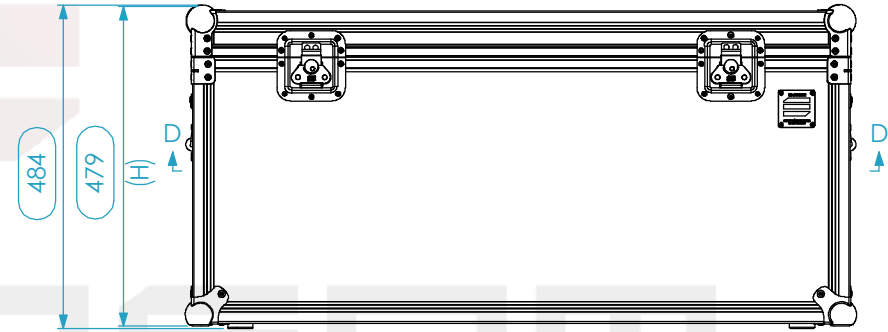
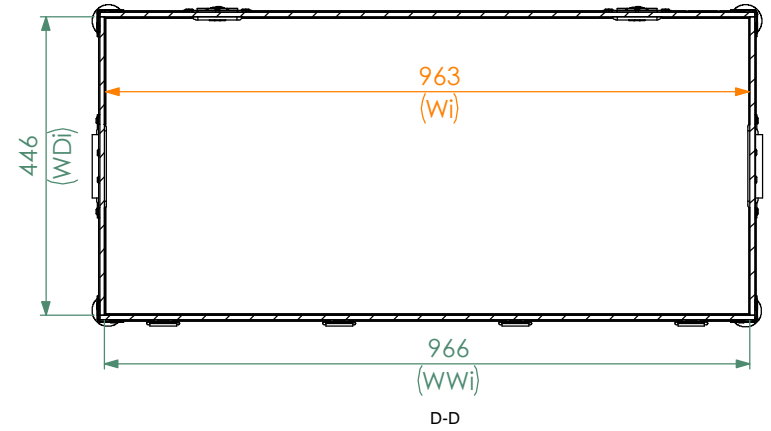
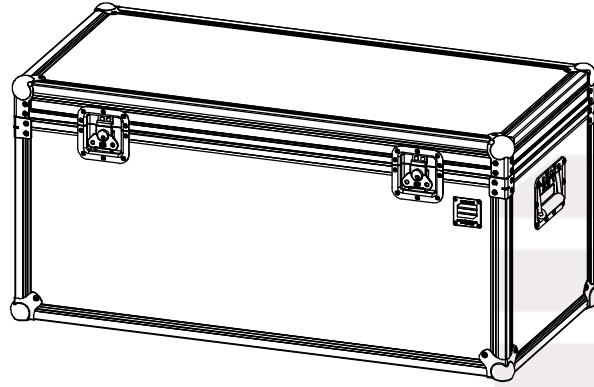


Internal Dimensions		
Width	Depth	Height
963	440	449
Weight	Approx. 16 Kg	
Wall Thickness	7mm	

General External Dimensions	
W	Width
D	Depth
H	Height
Usable Inner Dimensions (UID)	
Wi	Inside Width
Di	Inside Depth
Hi	Inside Height
Wood Inner Dimensions (WID)	
WWi	Wood Inside Width
WDi	Wood Inside Depth
WHi	Wood Inside Height



A3

This drawing must not be copied or disclosed without consent of the owner



Scale	1:8	units in mm	general tolerance 0.8mm
Reference	M1AA.1004848	DO NOT SCALE	
FLIGHTCASE M1AA 963X443X446 CM INNER DIM.			

Name	Date
Drawn by Catarina Henriques	13/03/2018

