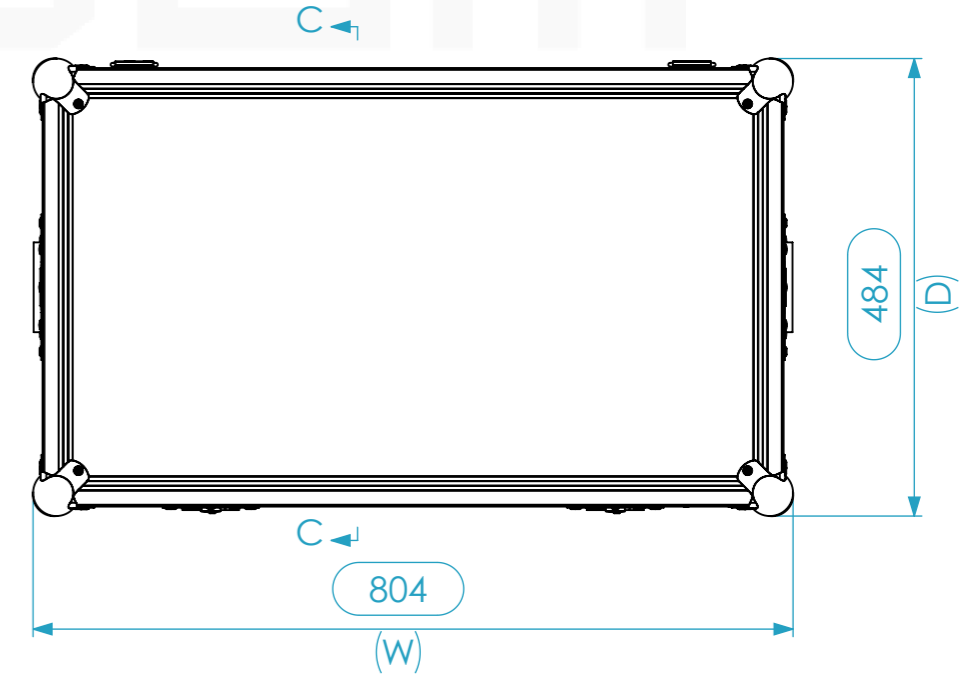
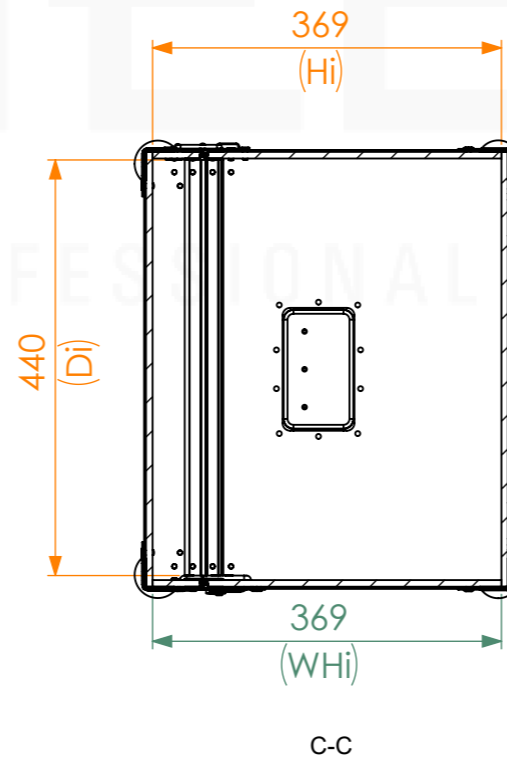
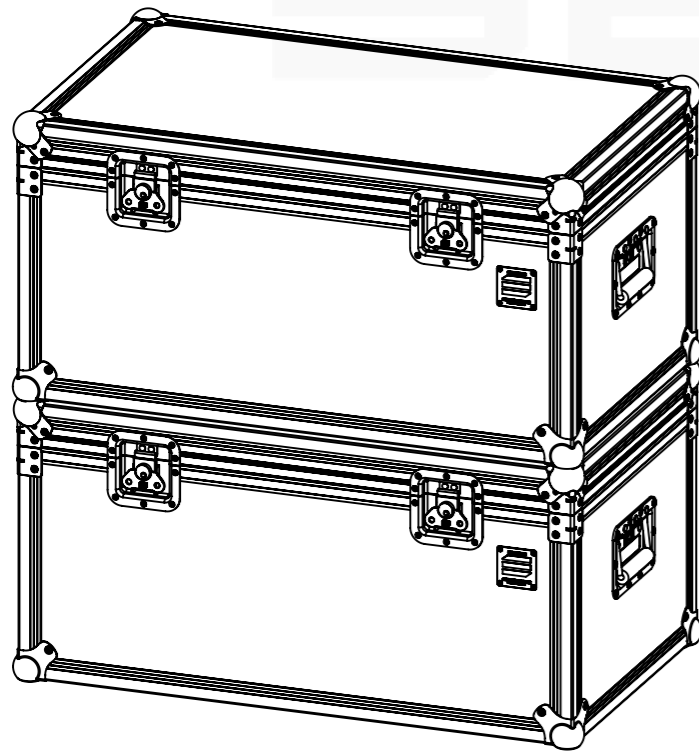
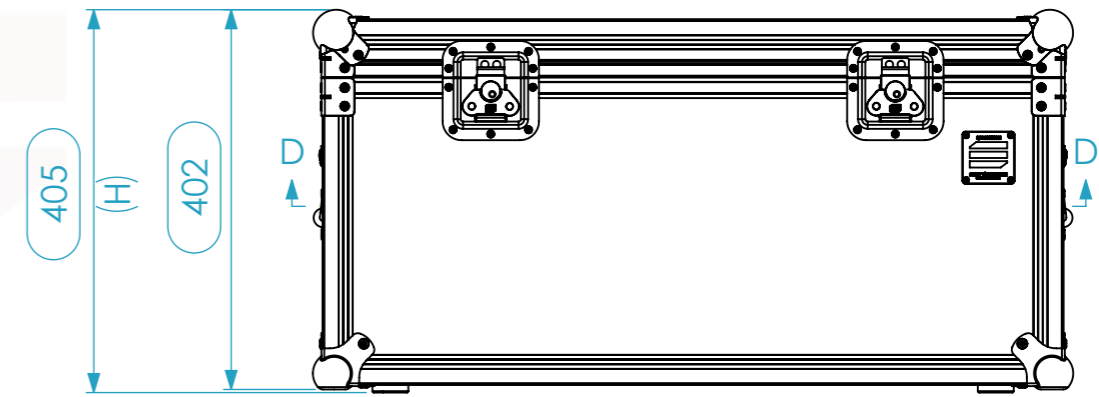
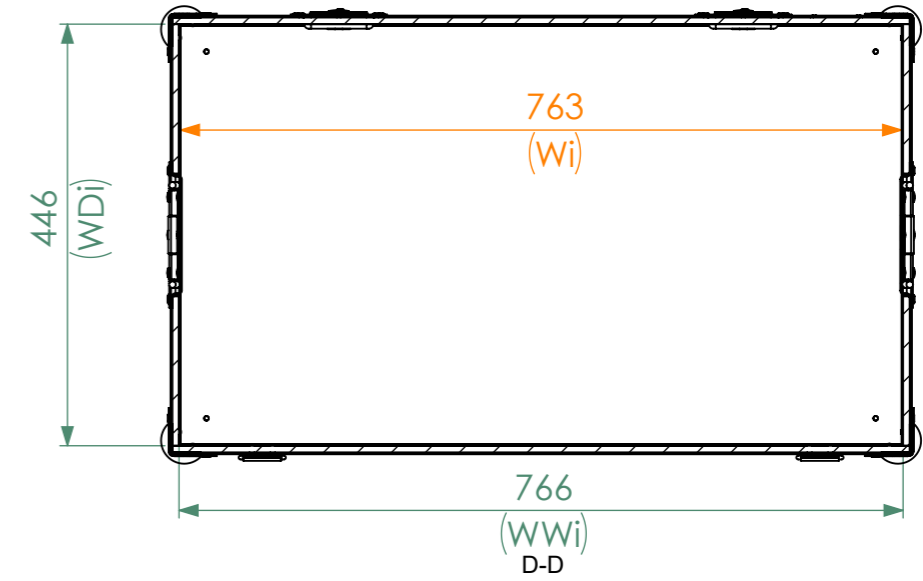
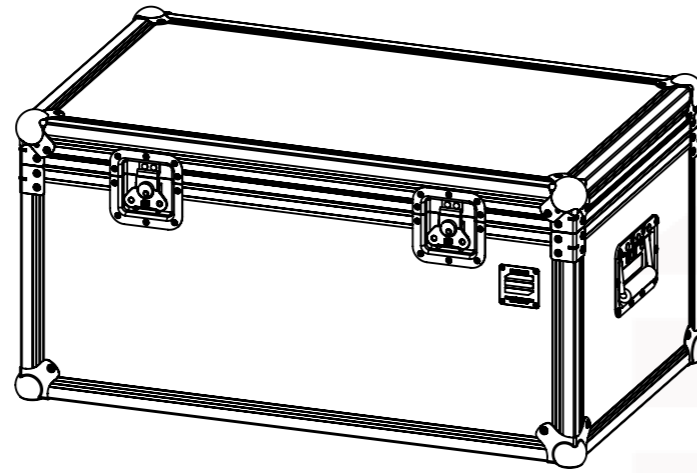


Internal Dimensions		
Width	Depth	Height
763	440	369
Weight	Approx. 13 Kg	
Wall Thickness	7mm	



General External Dimensions		Usable Inner Dimensions (UID)		Wood Inner Dimensions (WID)	
W	Width	Wi	Inside Width	WWi	Wood Inside Width
D	Depth	Di	Inside Depth	WDi	Wood Inside Depth
H	Height	Hi	Inside Height	WHi	Wood Inside Height

This drawing must not be copied or disclosed without consent of the owner



Scale 1:8

units in mm
DO NOT SCALE
general tolerance 0.8mm

Reference M1AA.0804840
FLIGHTCASE M1AA
763X443X366 CM INNER DIM.



A3