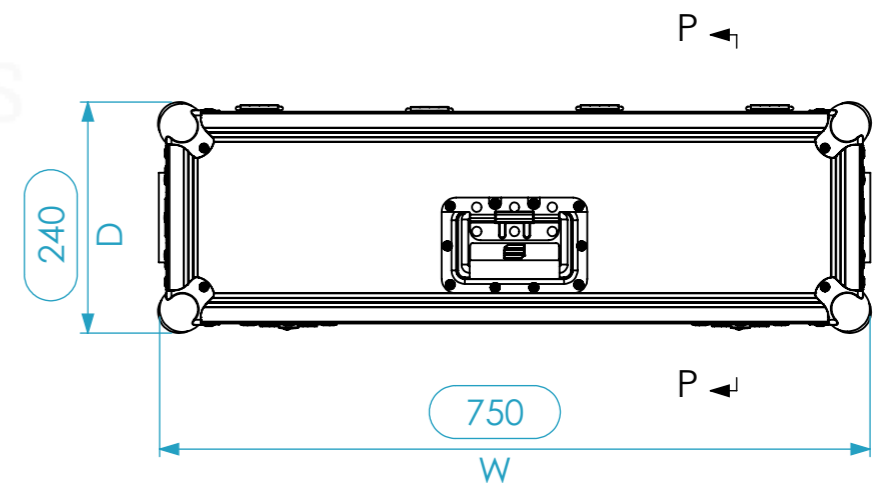
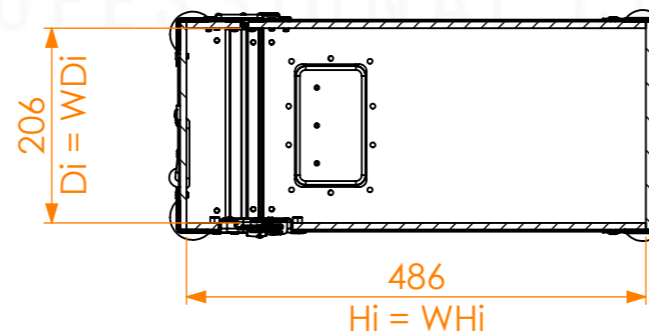
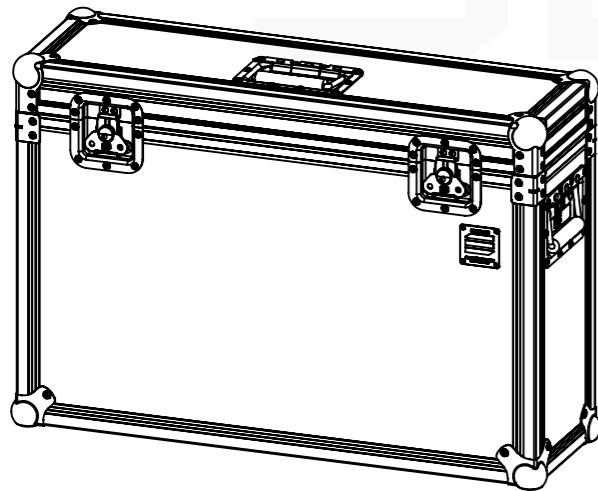
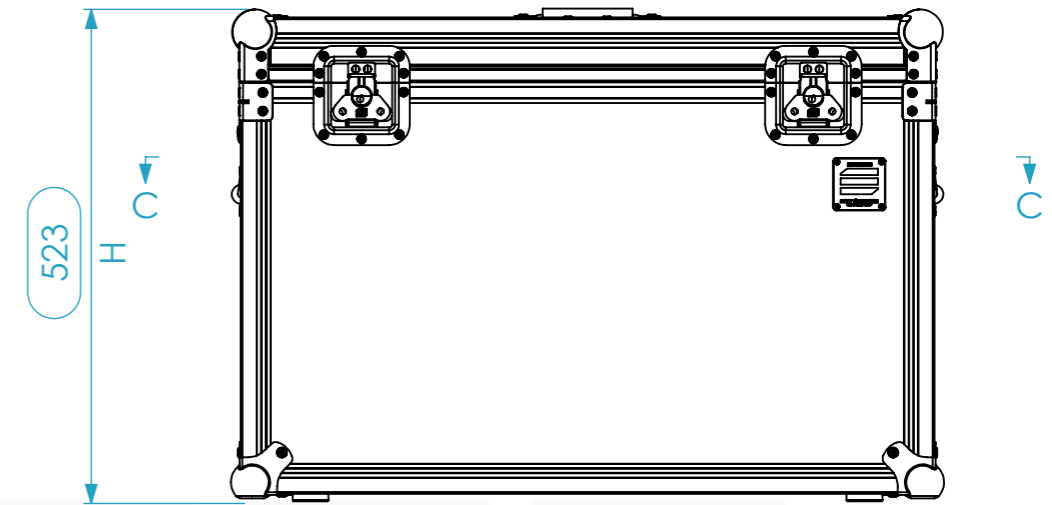
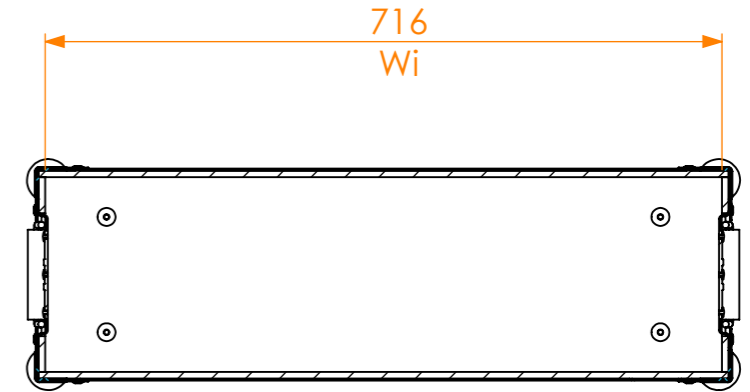
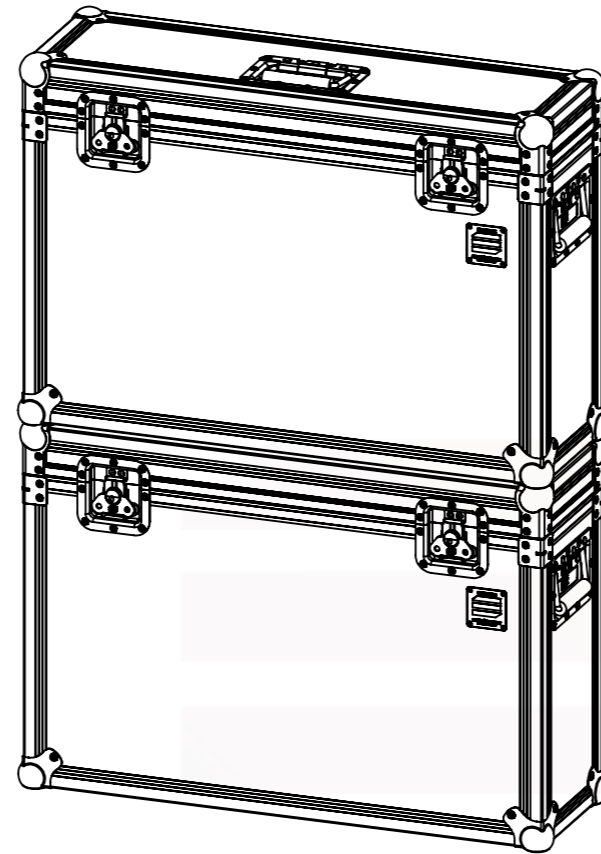
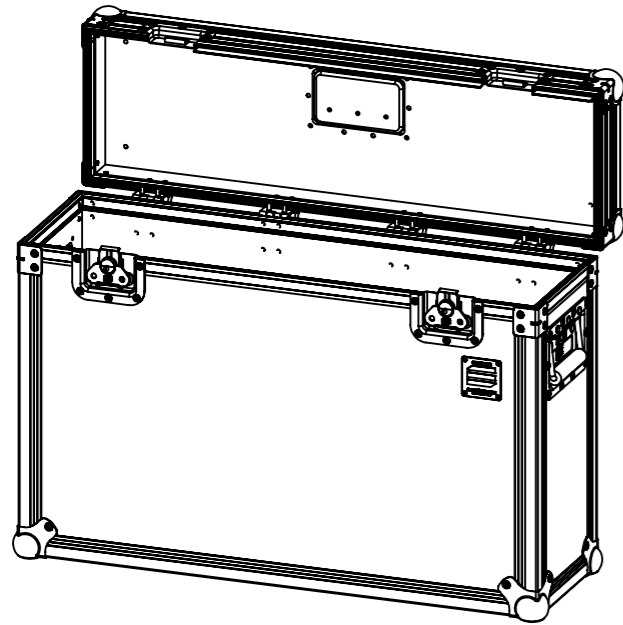


Internal Dimensions		
Width	Depth	Height
713	203	486
Weight	Approx. 10 Kg	
Wall Thickness		7mm



SECTION P-P

General External Dimensions		Usable Inner Dimensions		Wood Inner Dimensions	
W	Width	Wi	Inside Width	WWi	Wood Inside Width
D	Depth	Di	Inside Depth	WDi	Wood Inside Depth
H	Height	Hi	Inside Height	WHi	Wood Inside Height

Drawn by	Name	Date
paula.almeida		14/03/2024
Reference	M1AA.0752452	
Scale	units in mm	general tolerance
1:8	DO NOT SCALE	0.8mm
FC M1AA, 713X203X486		



This drawing must not be copied or disclosed without consent of the owner



A3