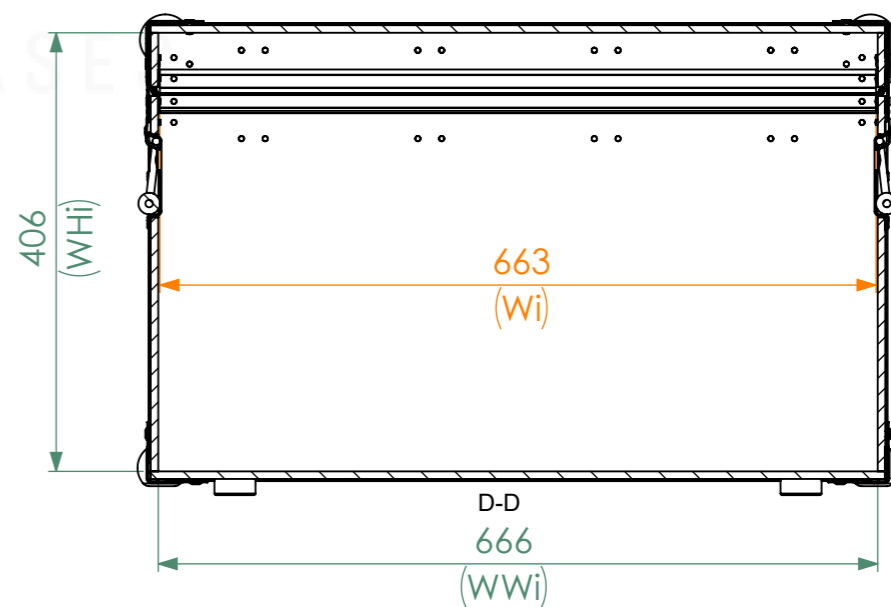
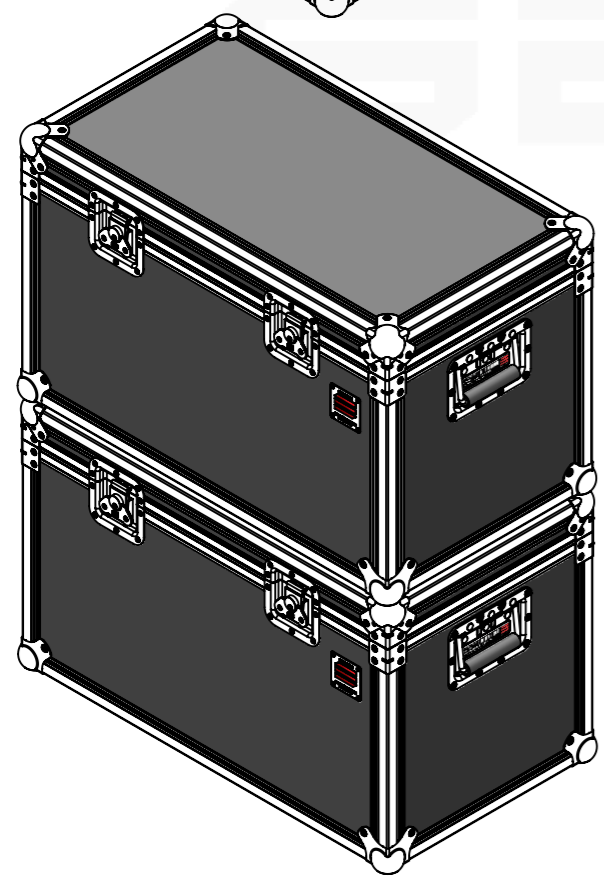
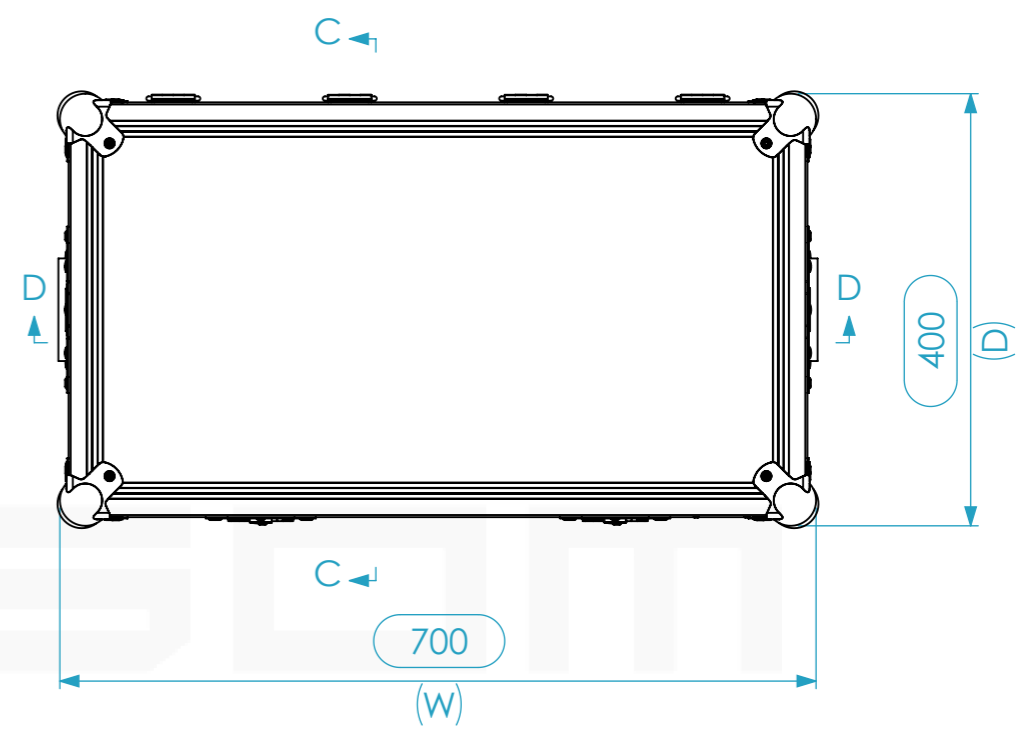
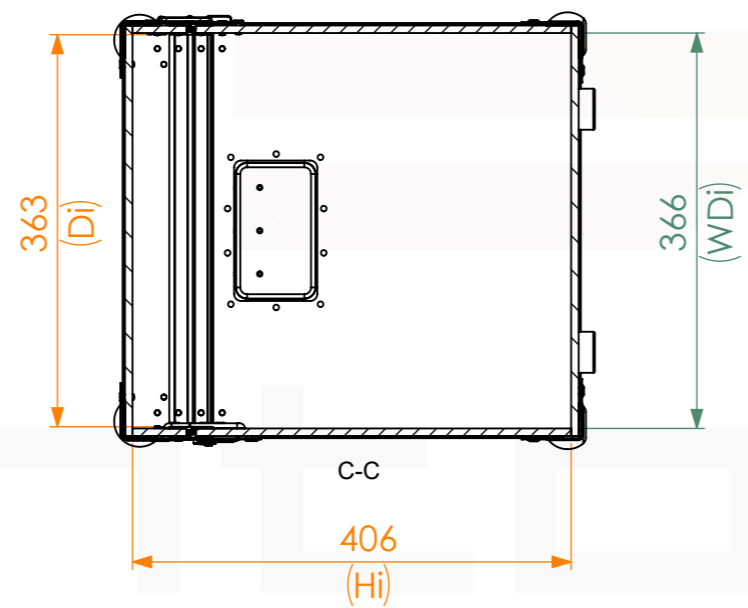
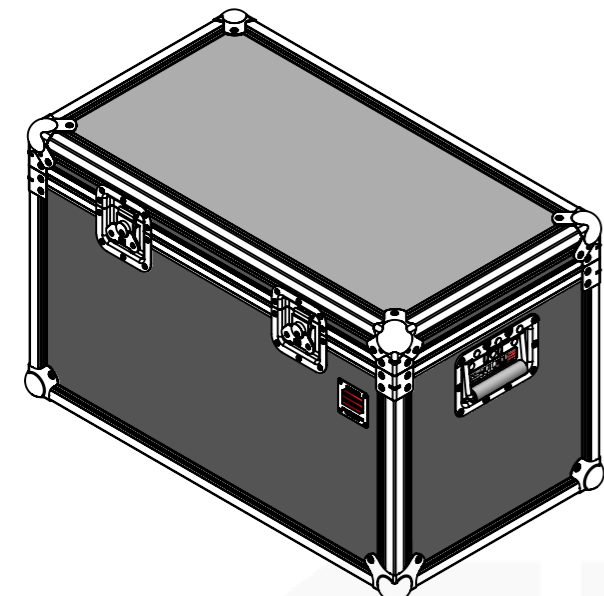
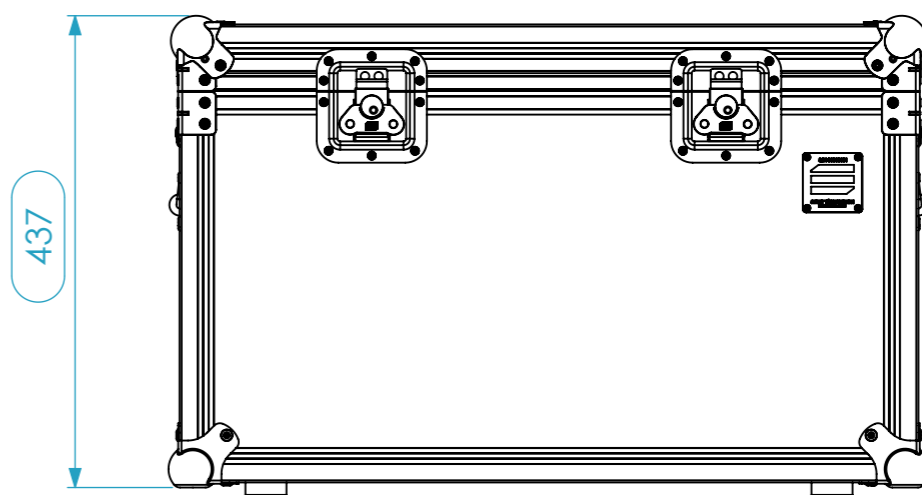
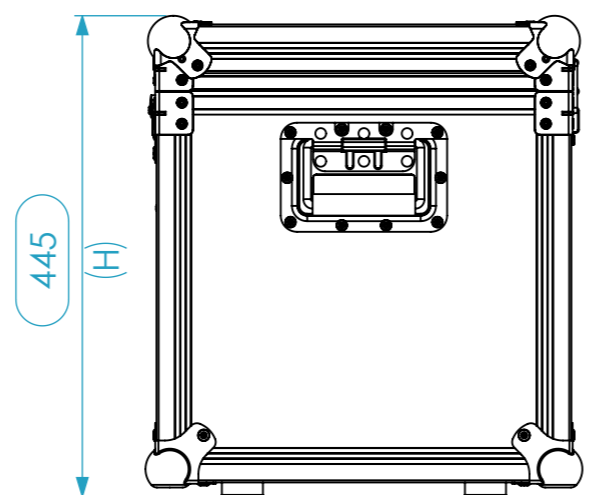


Internal Dimensions		
Width	Depth	Height
663	363	403
Weight		Approx. 11 Kg
Wall Thickness		7mm



General External Dimensions		Usable Inner Dimensions (UID)		Wood Inner Dimensions (WID)	
W	Width	Wi	Inside Width	WWi	Wood Inside Width
D	Depth	Di	Inside Depth	WDi	Wood Inside Depth
H	Height	Hi	Inside Height	WHi	Wood Inside Height

Name	Date
Drawn by projects	16/09/2021
Reference	M1AA.0704030
Scale	1:7
units in mm	general tolerance 0.8mm
DO NOT SCALE	
TRUNK M1 70.40.30 (66X36X26 WID)	



This drawing must not be copied or disclosed without consent of the owner



A3