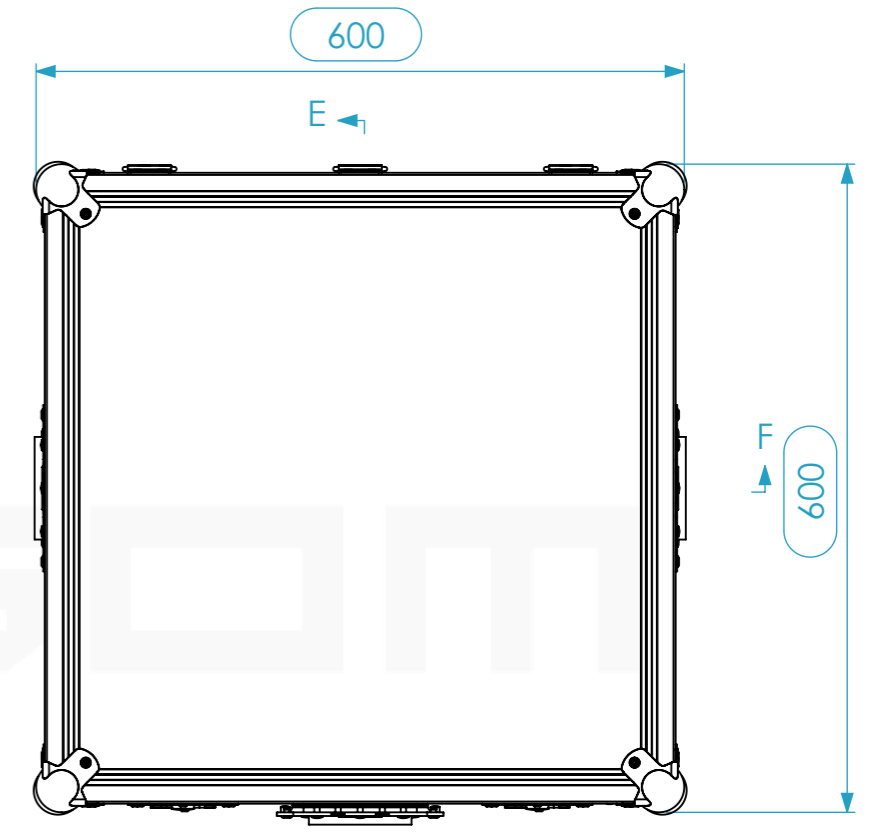
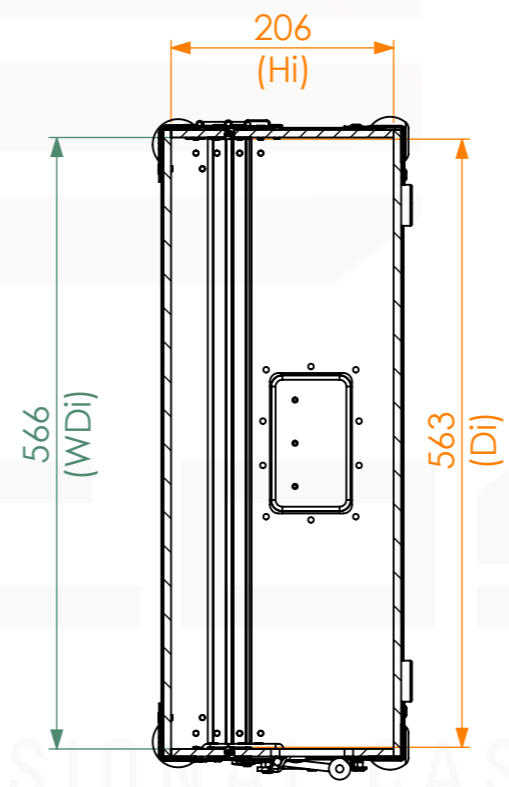
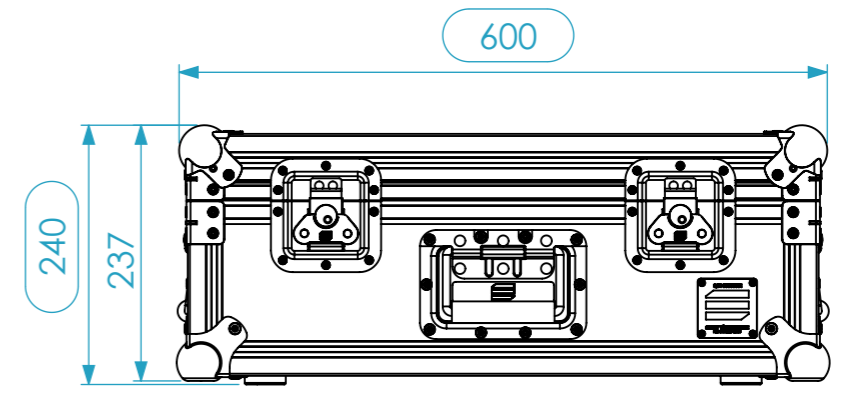
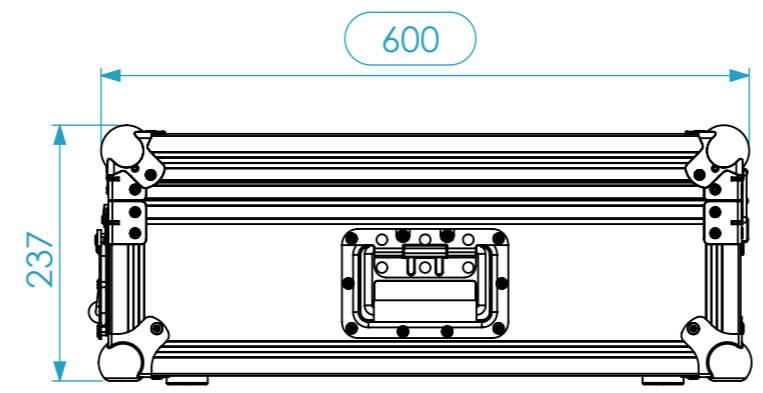
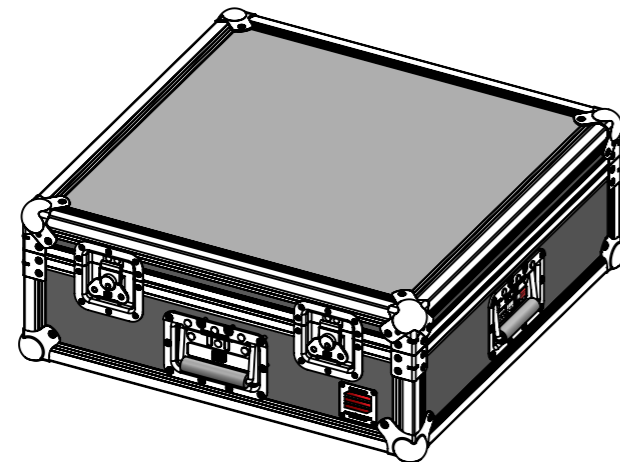
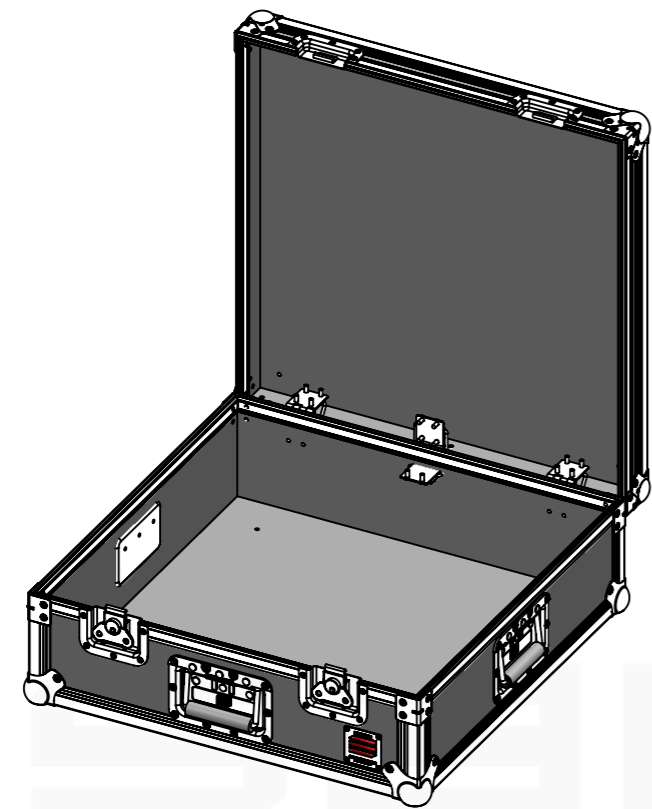
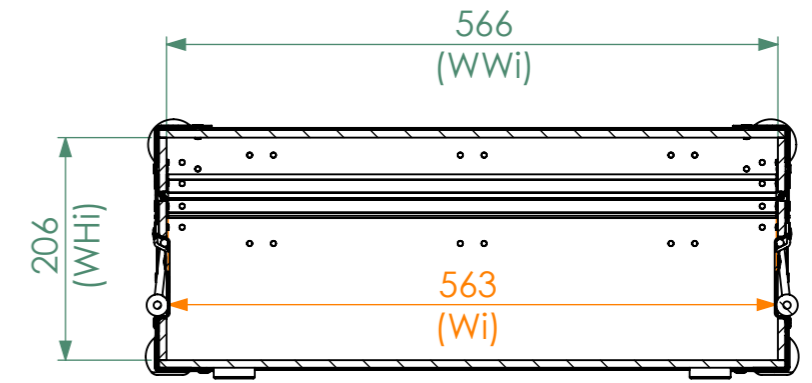


| Internal Dimensions | | |
|---------------------|--------------|--------|
| Width | Depth | Height |
| 563 | 563 | 206 |
| Weight | Approx. 6 Kg | |
| Wall Thickness | 7mm | |



E-E



F-F

| General External Dimensions | | Usable Inner Dimensions (UID) | | Wood Inner Dimensions (WID) | |
|-----------------------------|--------|-------------------------------|---------------|-----------------------------|--------------------|
| W | Width | Wi | Inside Width | WWi | Wood Inside Width |
| D | Depth | Di | Inside Depth | WDi | Wood Inside Depth |
| H | Height | Hi | Inside Height | WHi | Wood Inside Height |

A3 This drawing must not be copied or disclosed without consent of the owner

| | | | | | |
|-----------|--------------|-------|----------|----------------------------------|-------------------------|
| Drawn by | projects | Name | projects | Date | 13/02/2020 |
| Reference | M1AA.0606024 | Scale | 1:7 | units in mm | general tolerance 0.8mm |
| | | | | DO NOT SCALE | |
| | | | | 1st Angle projection | |
| | | | | Maíão M1 60.60.24 (56x56x20 WID) | |

