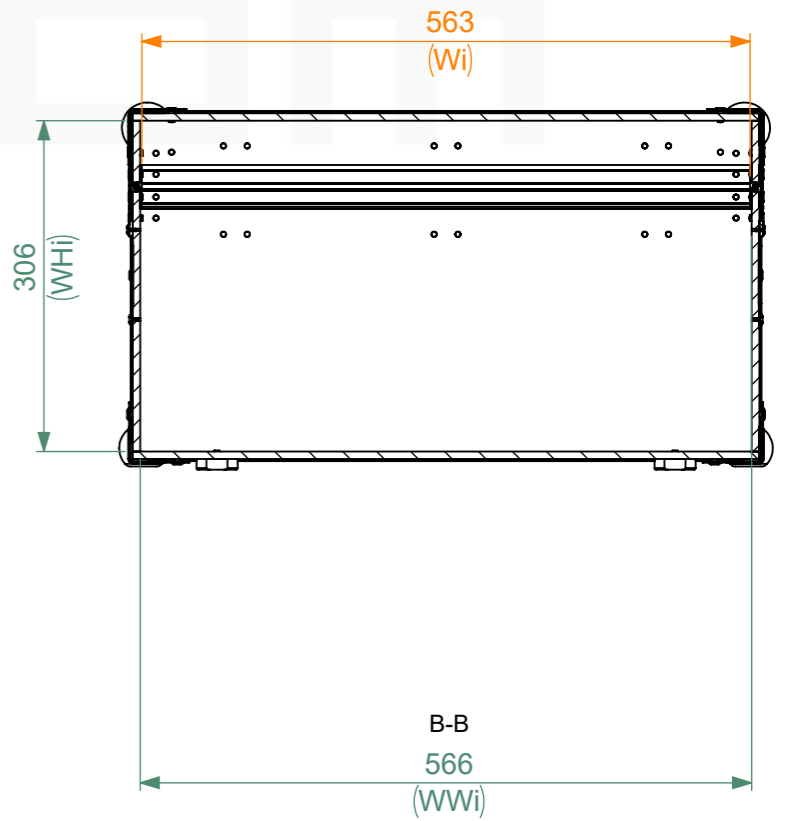
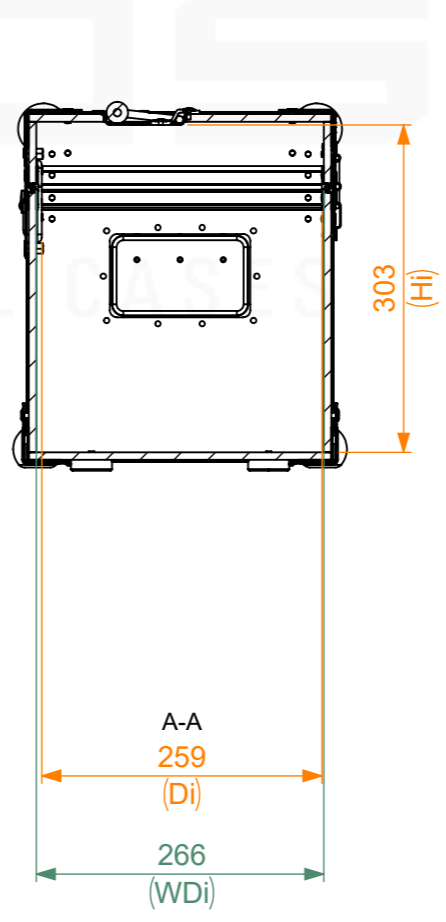
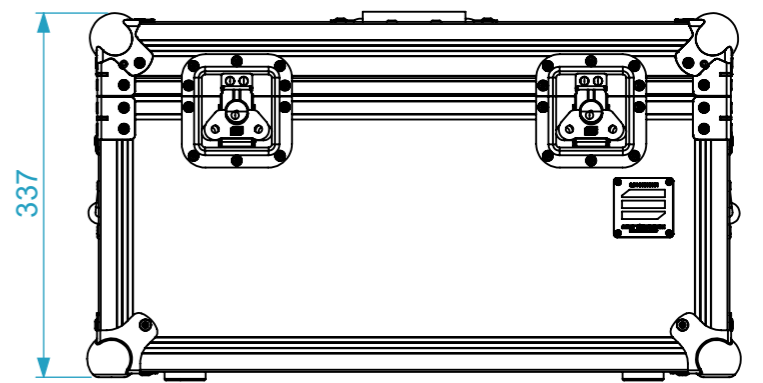
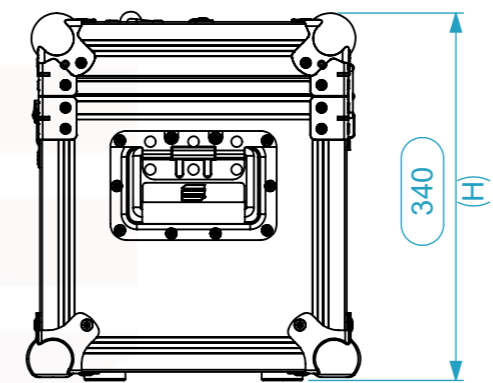
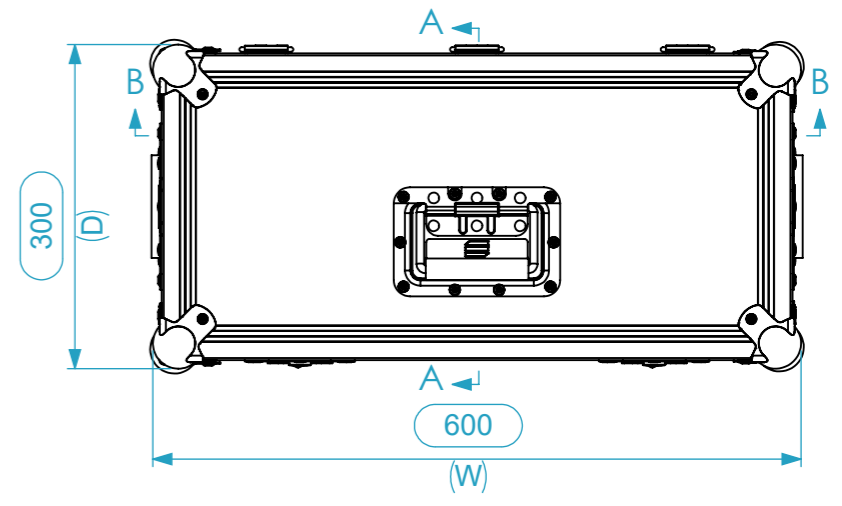
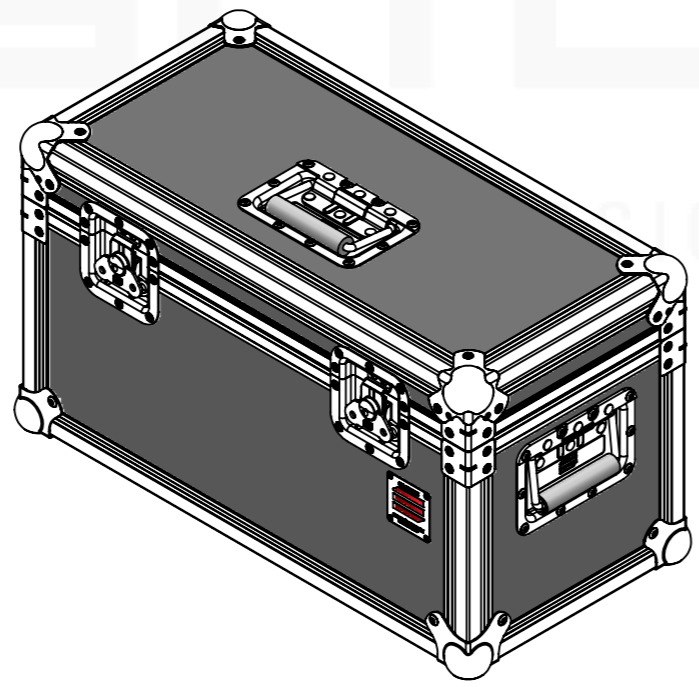
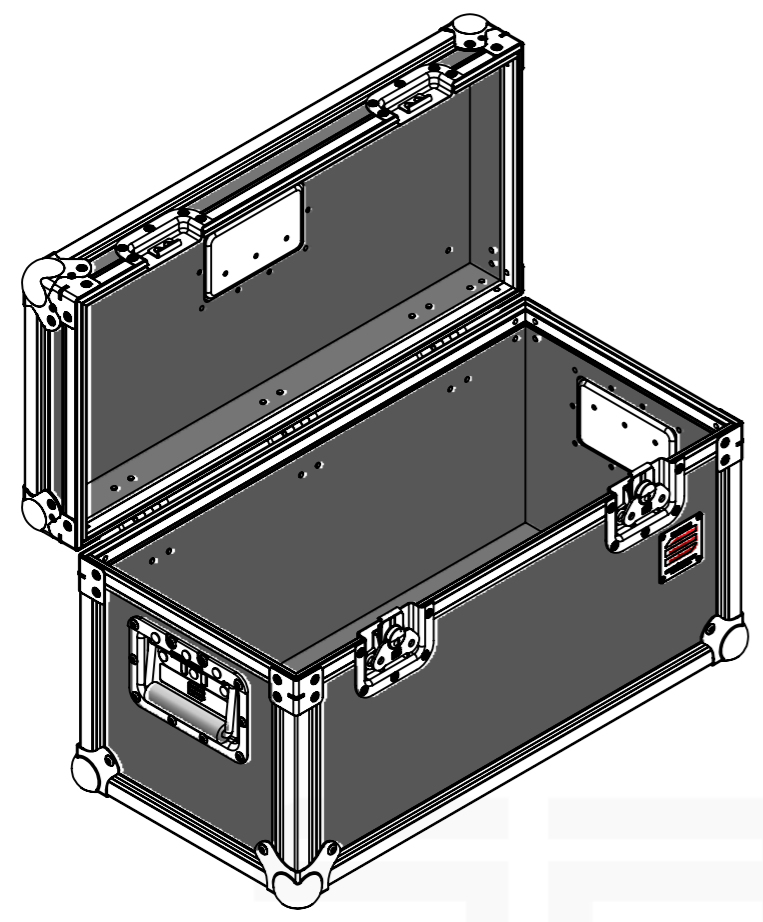


Internal Dimensions		
Width	Depth	Height
563	259	303
Weight	Approx. 8 Kg	
Wall Thickness	7mm	



General External Dimensions		Usable Inner Dimensions (UID)		Wood Inner Dimensions (WID)	
W	Width	Wi	Inside Width	WWi	Wood Inside Width
D	Depth	Di	Inside Depth	WDi	Wood Inside Depth
H	Height	Hi	Inside Height	WHi	Wood Inside Height

This drawing must not be copied or disclosed without consent of the owner

Drawn by	Name	Date
paula.almeida		25/07/2024
Reference	M1AA.0603034	
Scale	units in mm	general tolerance
1:7	DO NOT SCALE	0.8mm
1st Angle projection		
Maíão STD, M1 60.30.55 (563X263X303)		

