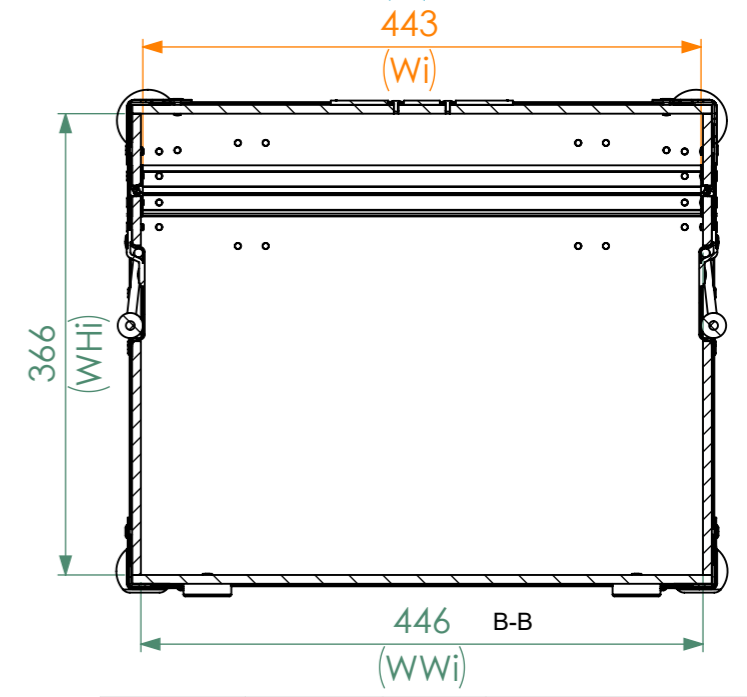
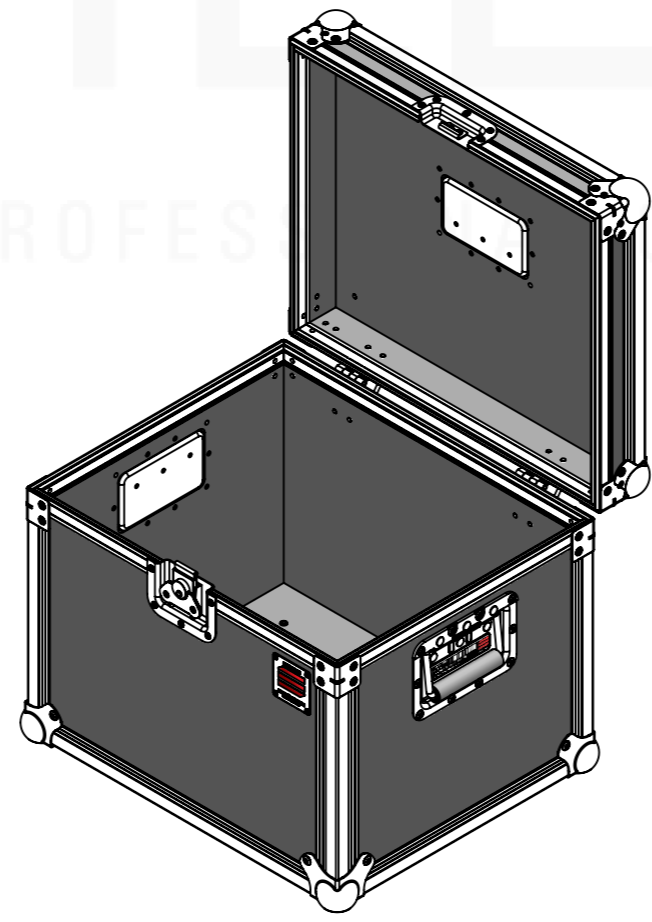
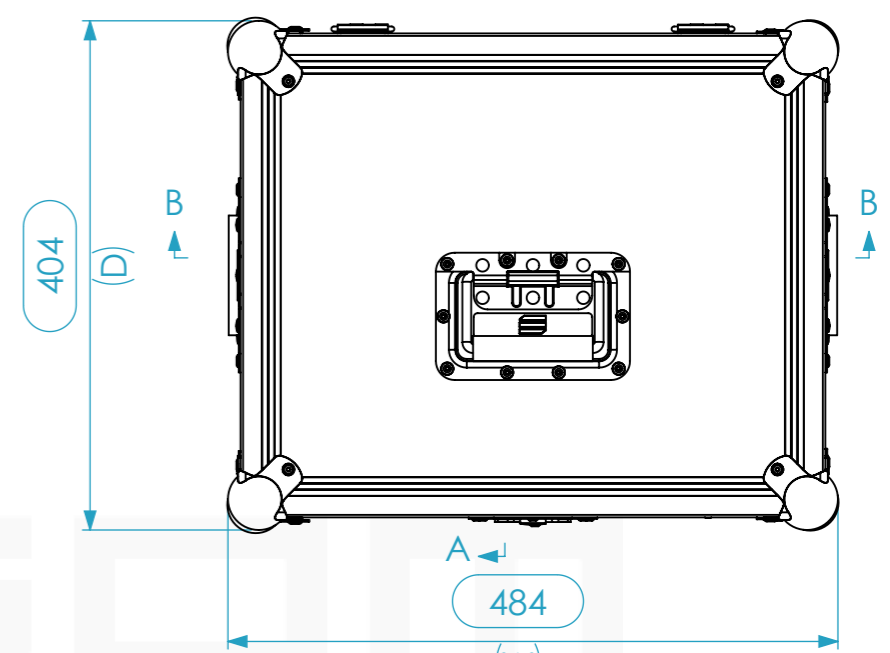
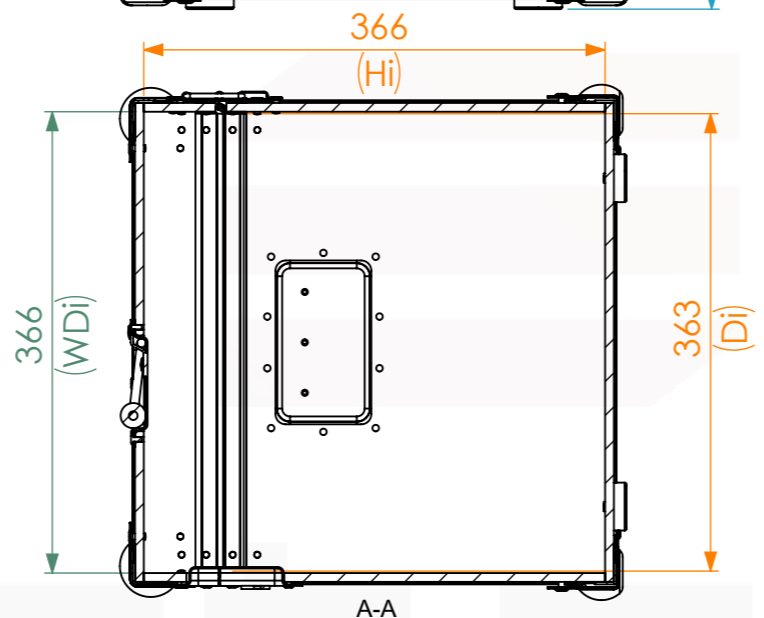
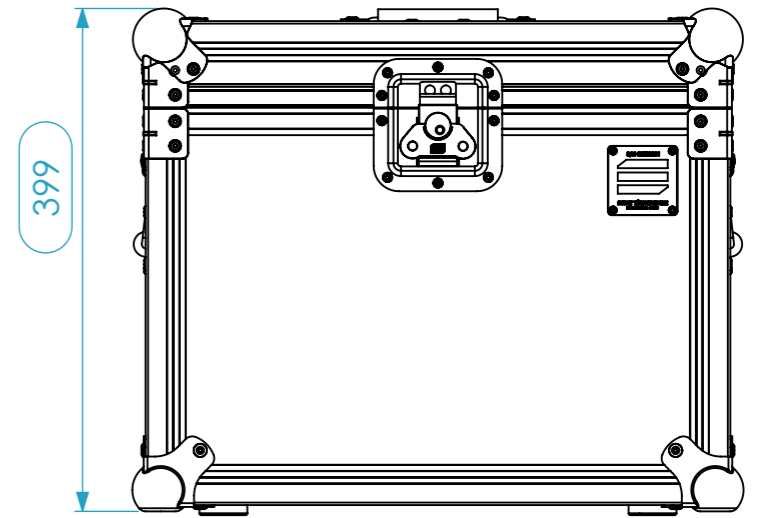
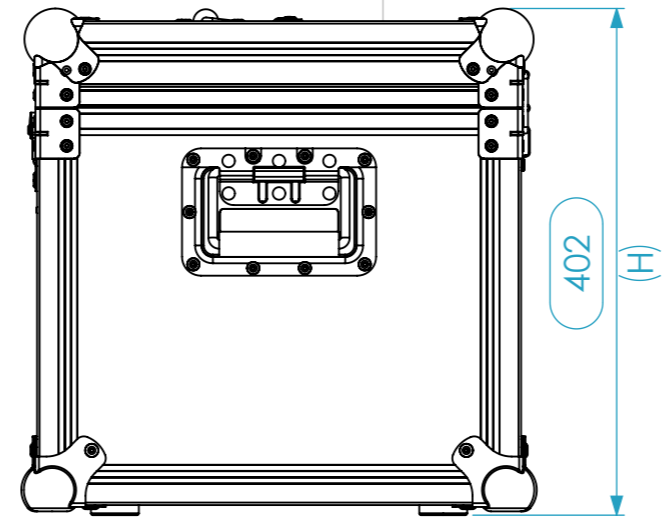
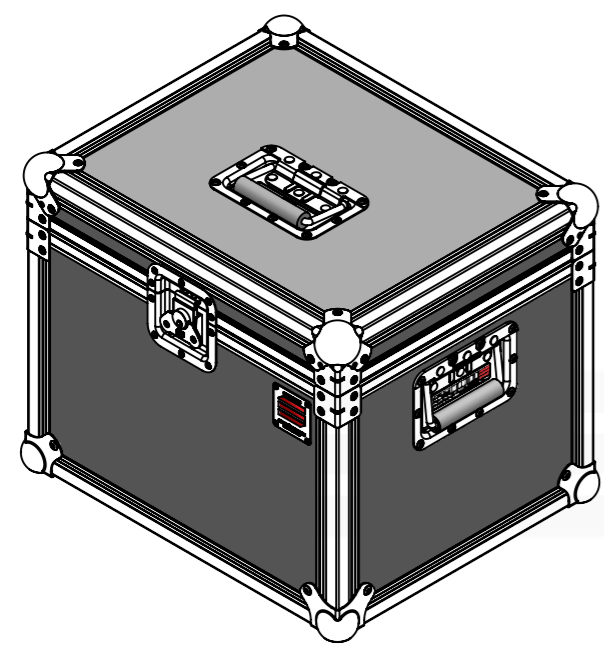


Internal Dimensions		
Width	Depth	Height
443	363	363
Weight	Approx. 5 Kg	
Wall Thickness	7mm	



General External Dimensions		Usable Inner Dimensions (UID)		Wood Inner Dimensions (WID)	
W	Width	Wi	Inside Width	WWi	Wood Inside Width
D	Depth	Di	Inside Depth	WDi	Wood Inside Depth
H	Height	Hi	Inside Height	WHi	Wood Inside Height

A3 This drawing must not be copied or disclosed without consent of the owner

Name	Date
Drawn by	CatarinaHenriques 24/05/2019
Reference	M1AA.0484040
Scale	1:6
units in mm	general tolerance 0.8mm
DO NOT SCALE	
MALÃO STD. 443x363x363	

