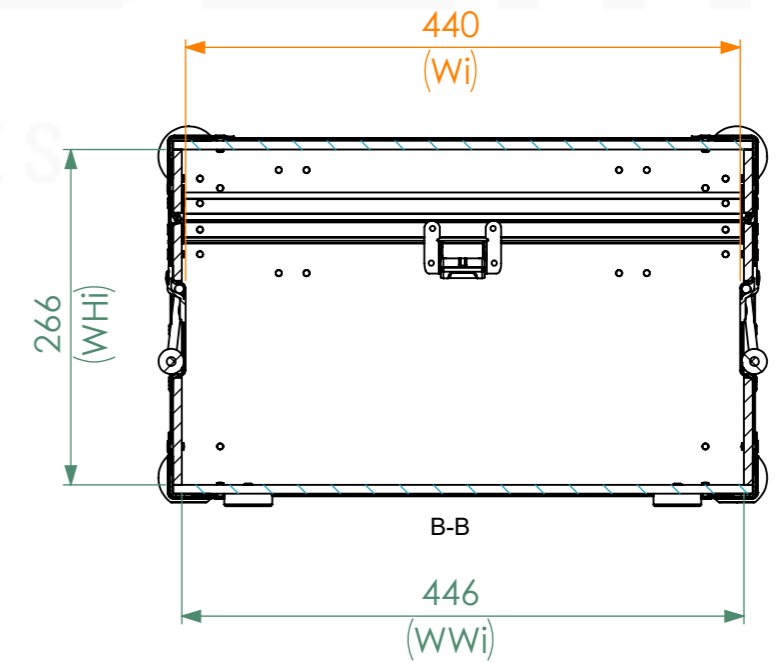
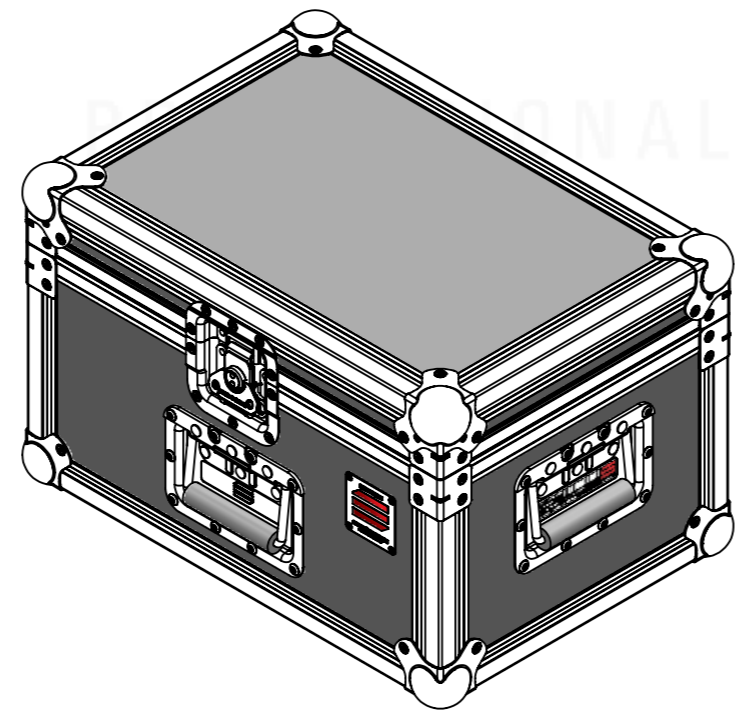
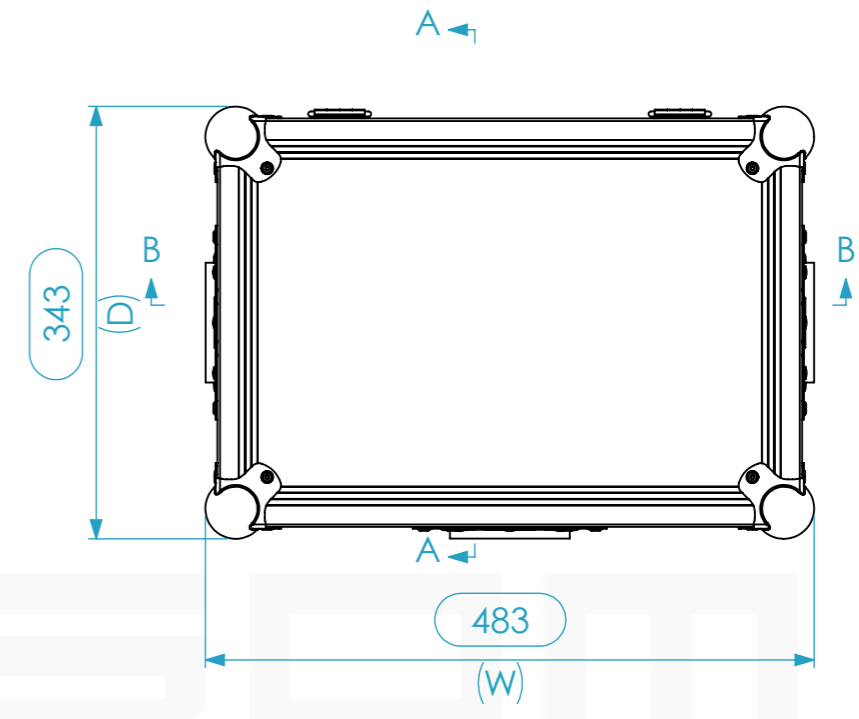
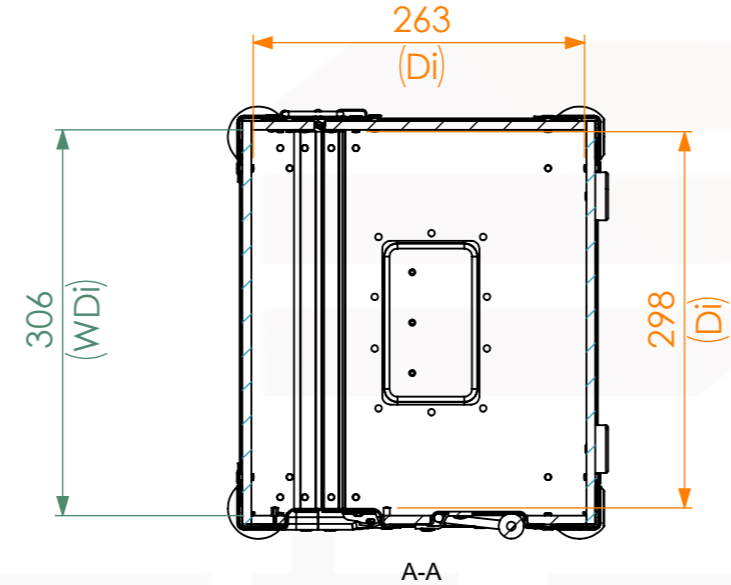
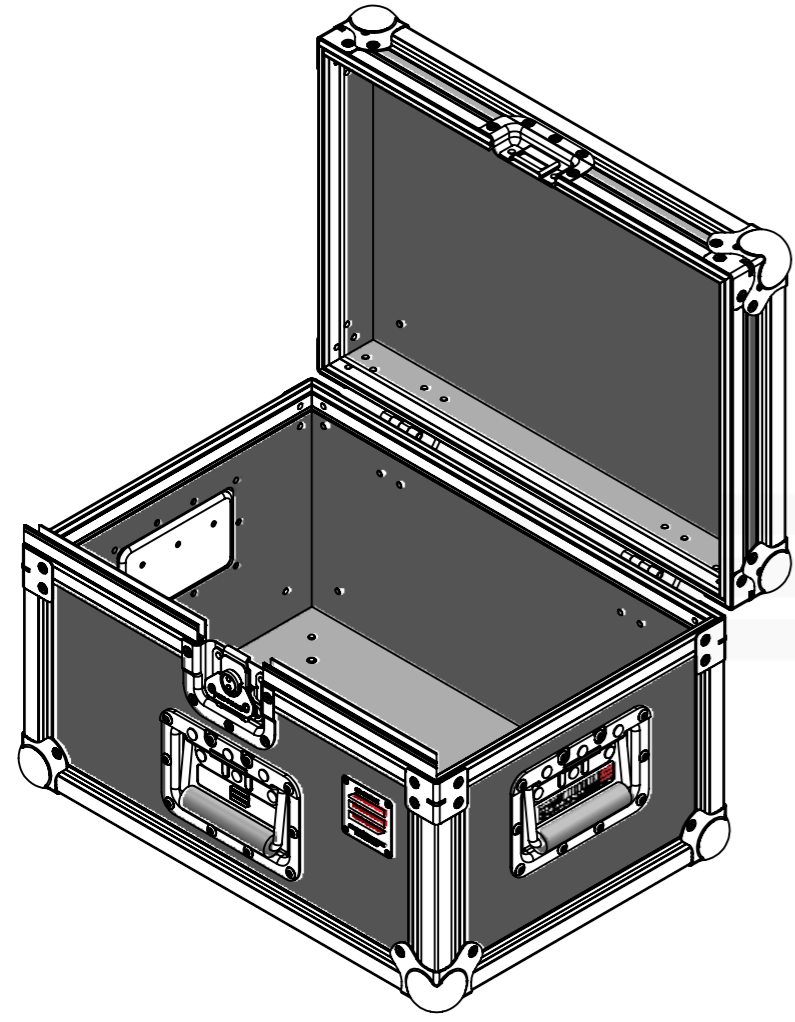
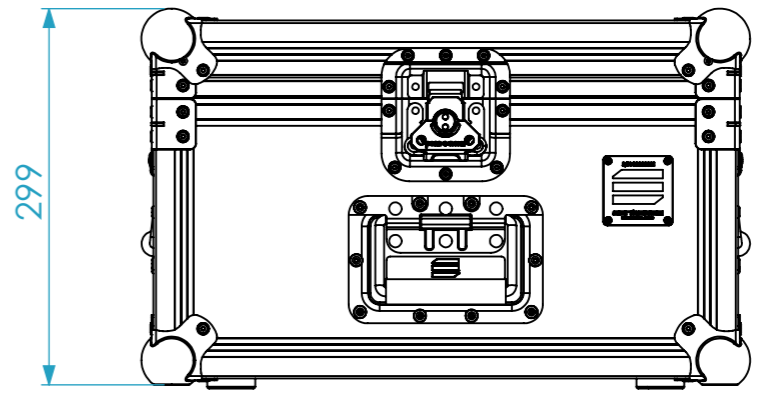
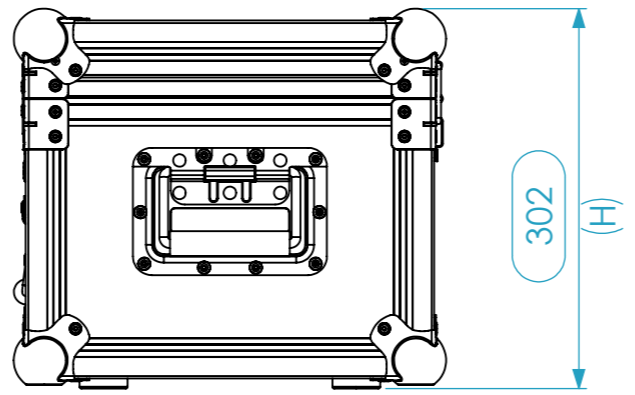


Internal Dimensions		
Width	Depth	Height
440	299	266
Weight	Approx. 6 Kg	
Wall Thickness		7mm



General External Dimensions		Usable Inner Dimensions		Wood Inner Dimensions	
W	Width	Wi	Inside Width	WWi	Wood Inside Width
D	Depth	Di	Inside Depth	WDi	Wood Inside Depth
H	Height	Hi	Inside Height	WHi	Wood Inside Height

A3 This drawing must not be copied or disclosed without consent of the owner

Drawn by	Name	Date
tiago.pais	tiago.pais	15/01/2026
Reference	M1AA.0483430A	
Scale	units in mm	general tolerance
1:6	DO NOT SCALE	0.8mm
1st Angle projection	MALÃO STD. 443x263x303	

