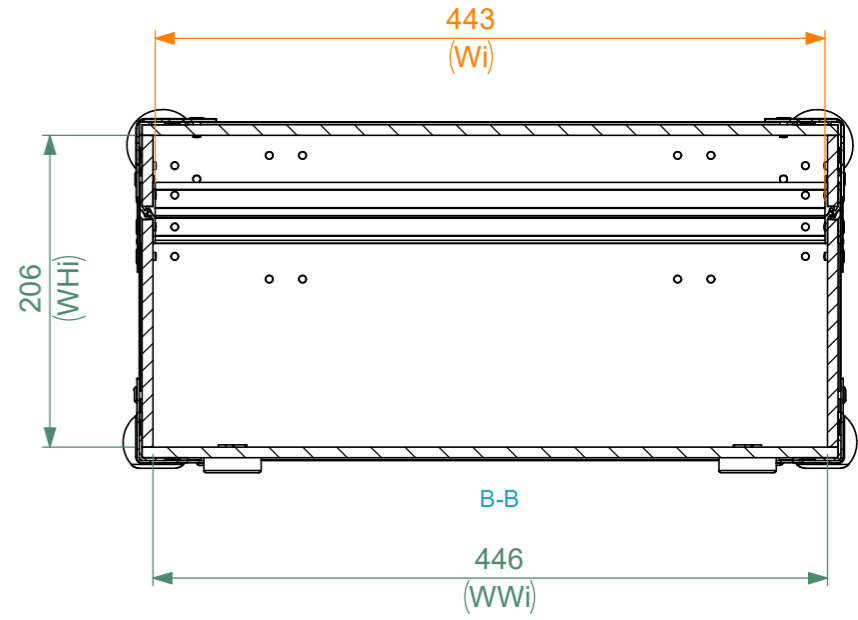
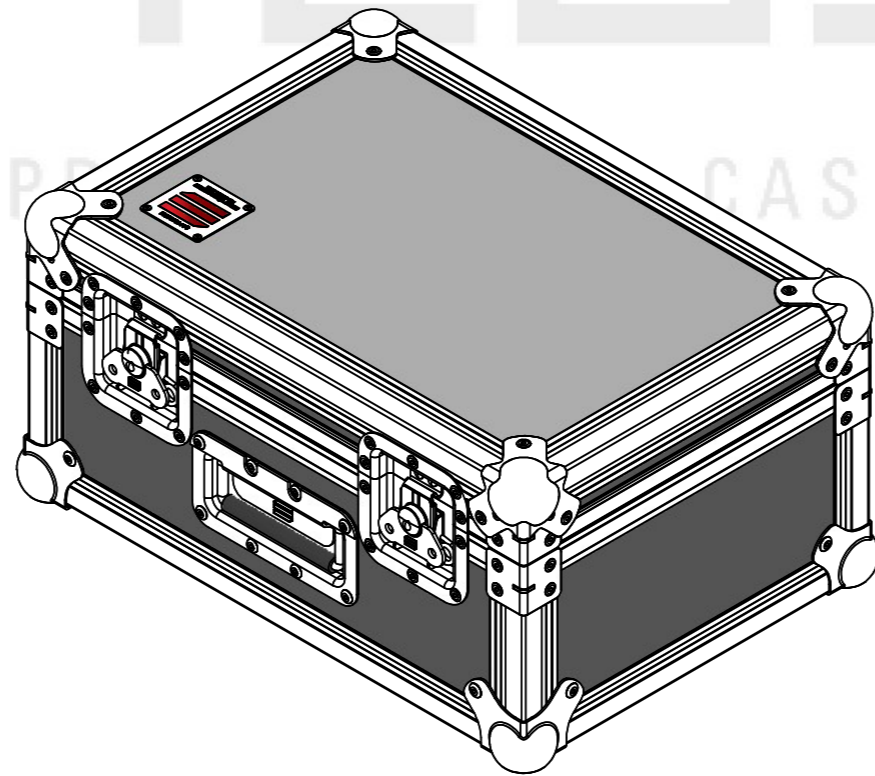
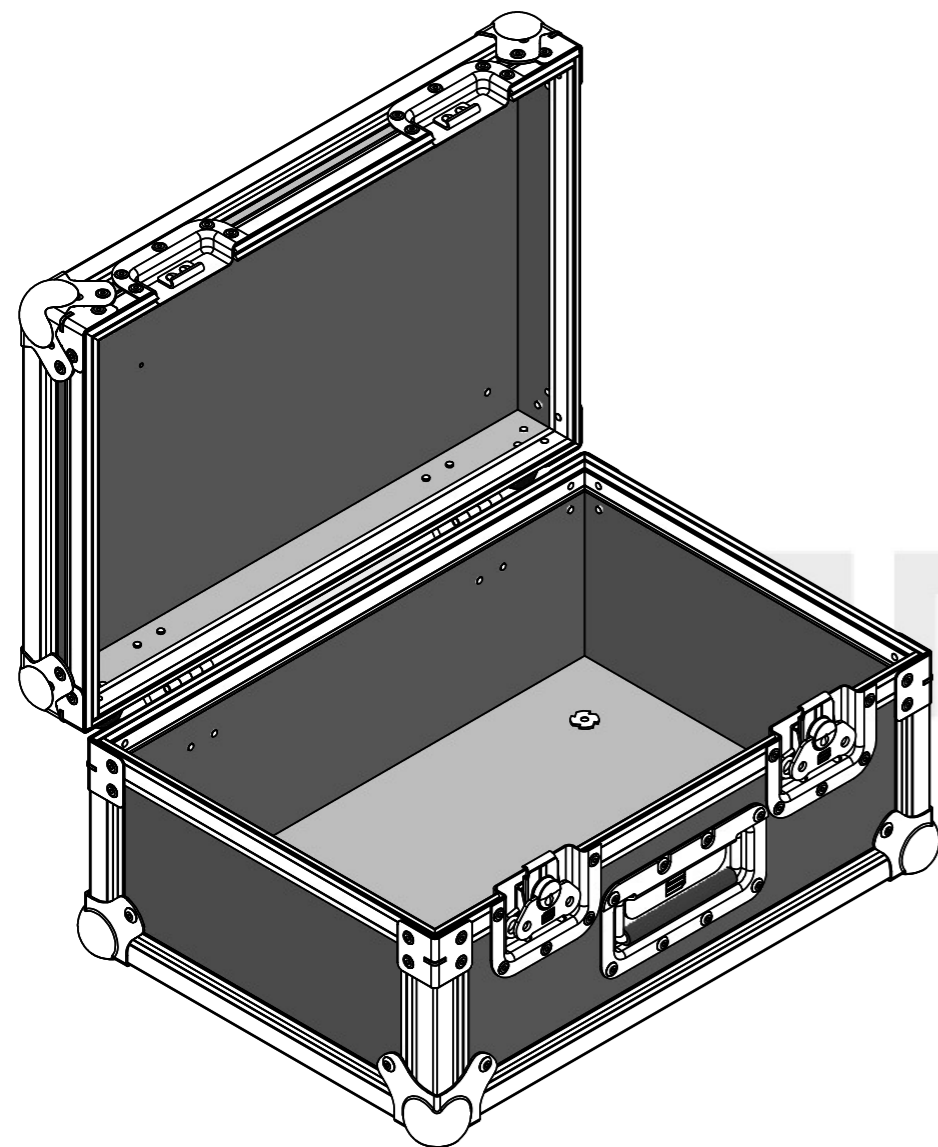
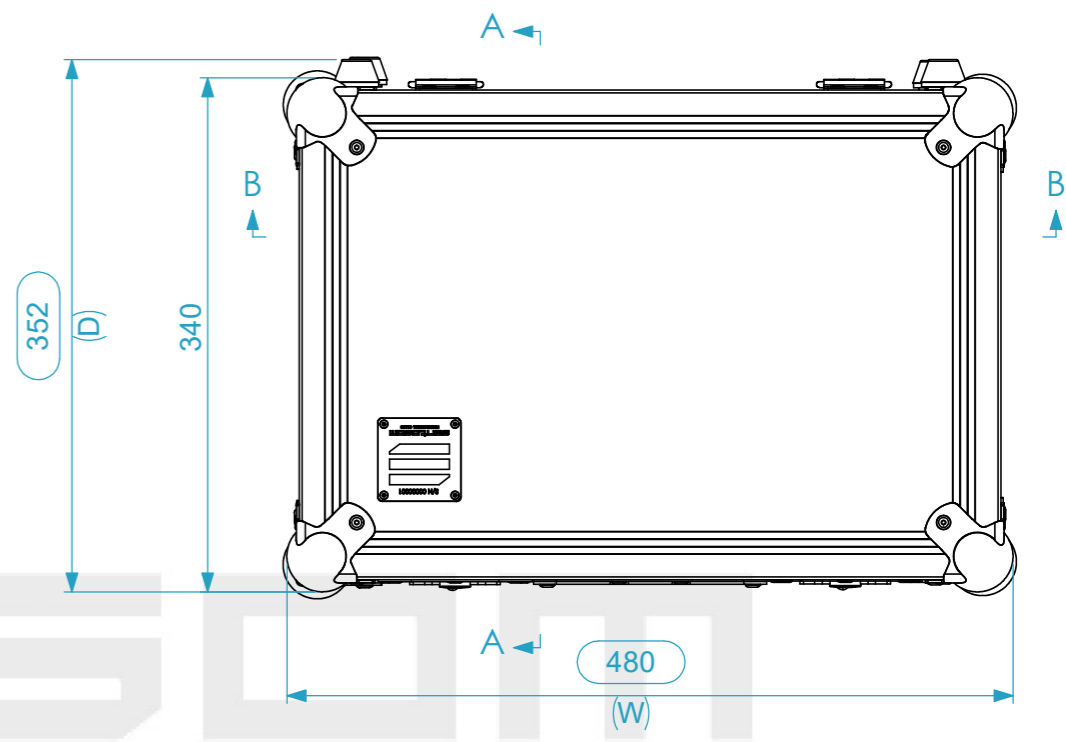
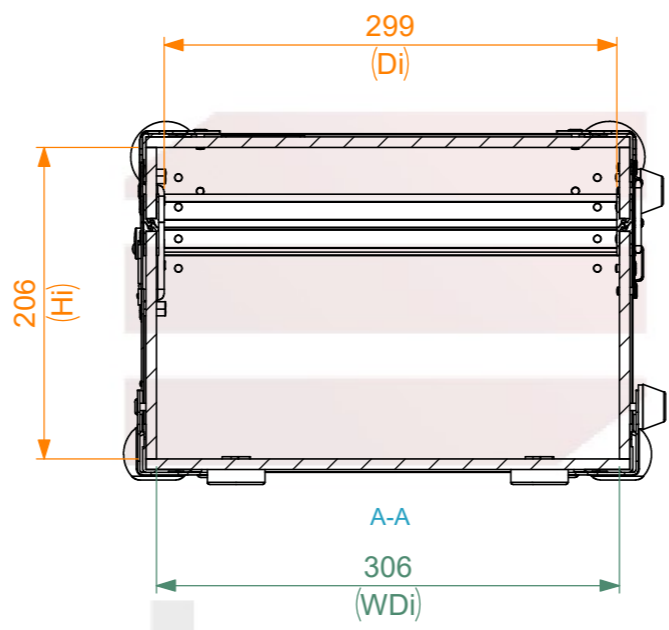
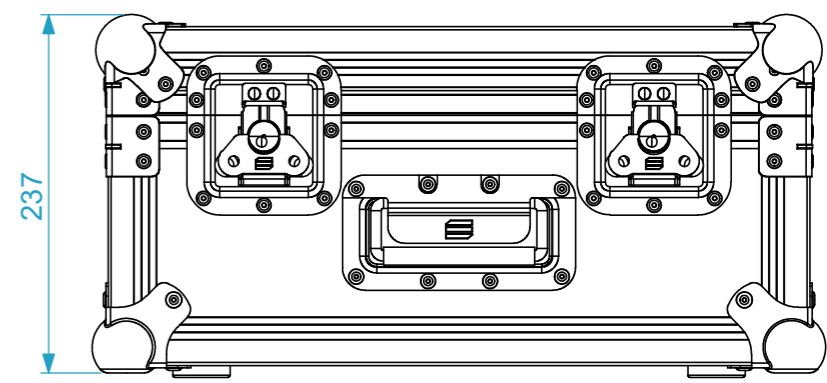
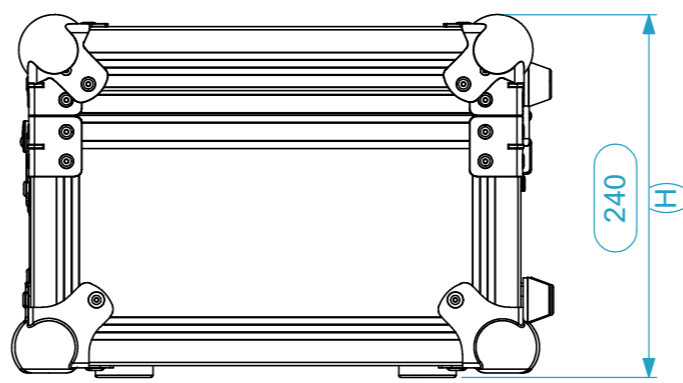


| Internal Dimensions | | |
|---------------------|--------------|--------|
| Width | Depth | Height |
| 443 | 299 | 206 |
| Weight | Approx. 6 Kg | |
| Wall Thickness | 7mm | |



| General External Dimensions | | Usable Inner Dimensions (UID) | | Wood Inner Dimensions (WID) | |
|-----------------------------|--------|-------------------------------|---------------|-----------------------------|--------------------|
| W | Width | Wi | Inside Width | WWi | Wood Inside Width |
| D | Depth | Di | Inside Depth | WDi | Wood Inside Depth |
| H | Height | Hi | Inside Height | WHi | Wood Inside Height |

A3 This drawing must not be copied or disclosed without consent of the owner

| | | |
|----------------------|----------------------|-------------------|
| Drawn by | Name | Date |
| projects | | 17/01/2024 |
| Reference | M1AA.0483424 | |
| Scale | units in mm | general tolerance |
| 1:5 | DO NOT SCALE | 0.8mm |
| 1st Angle projection | Maço M1, 443x303x203 | |

