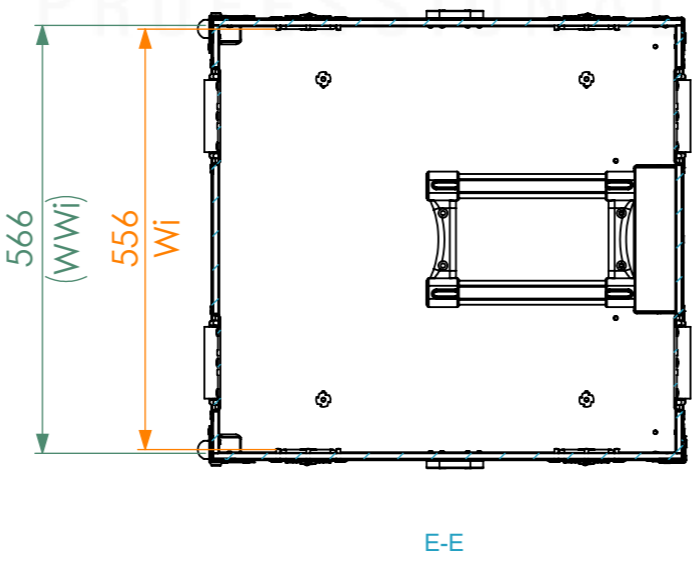
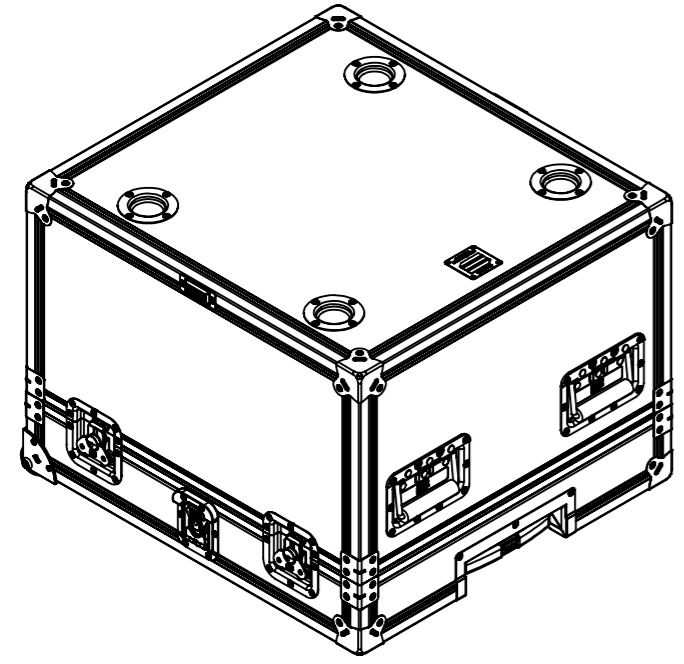
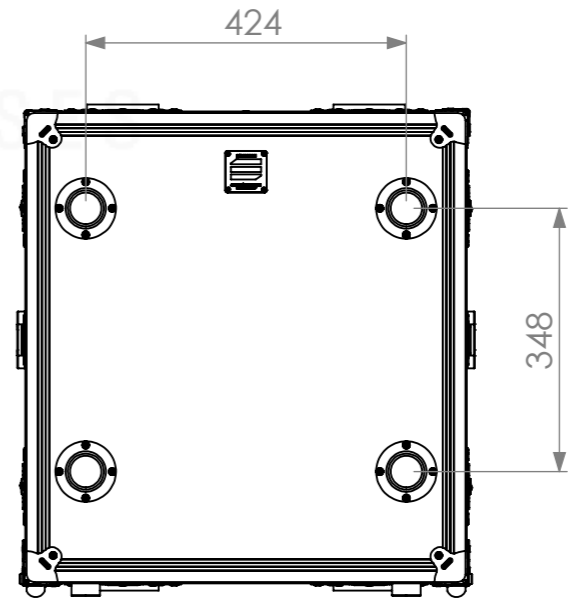
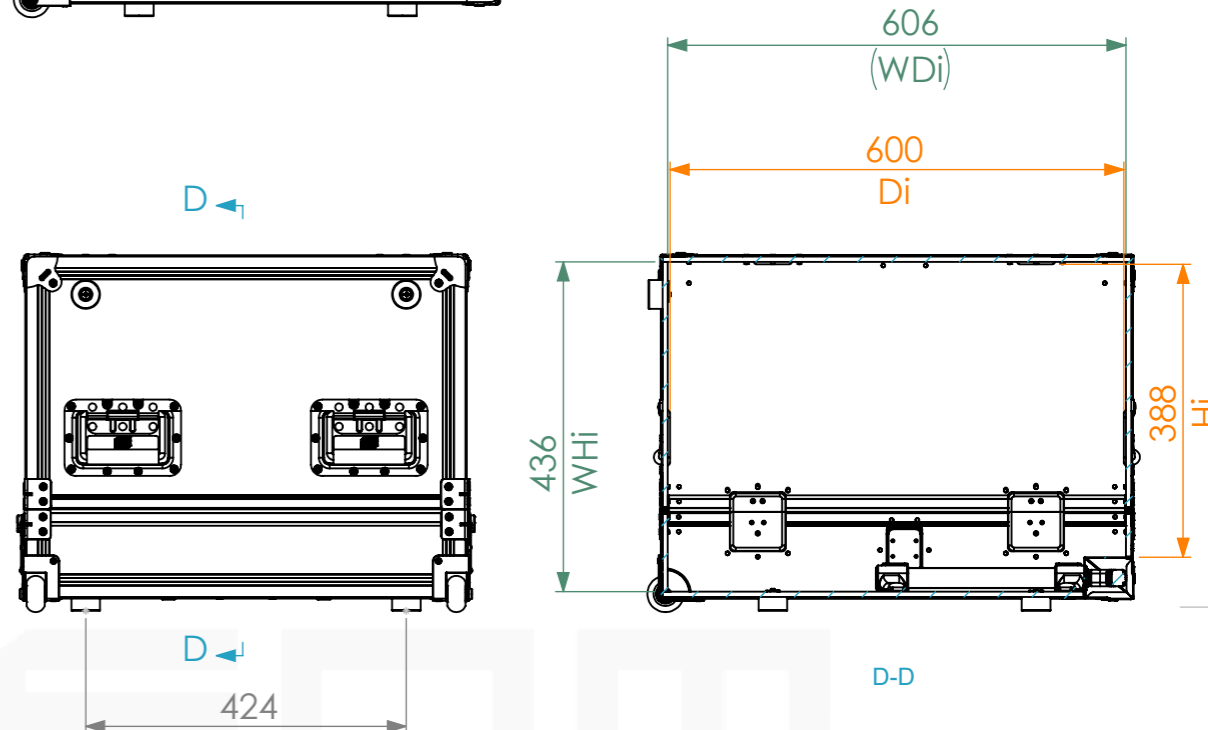
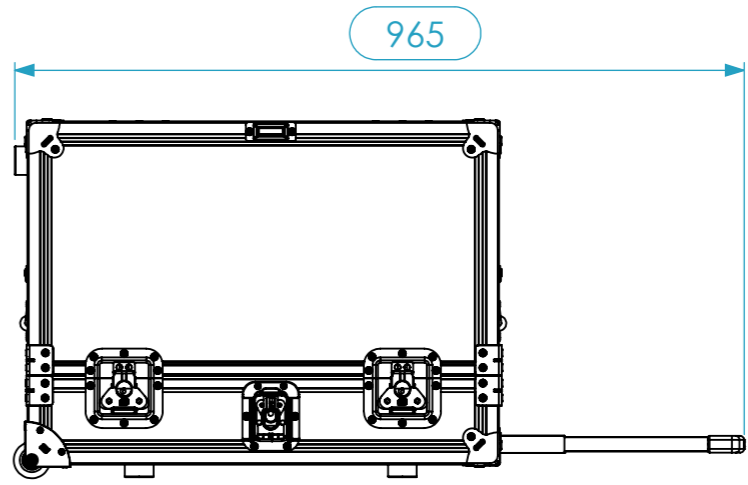
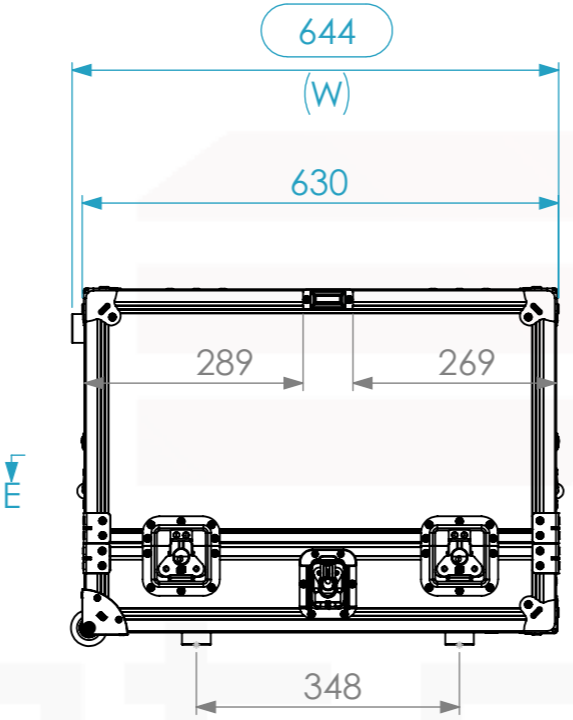
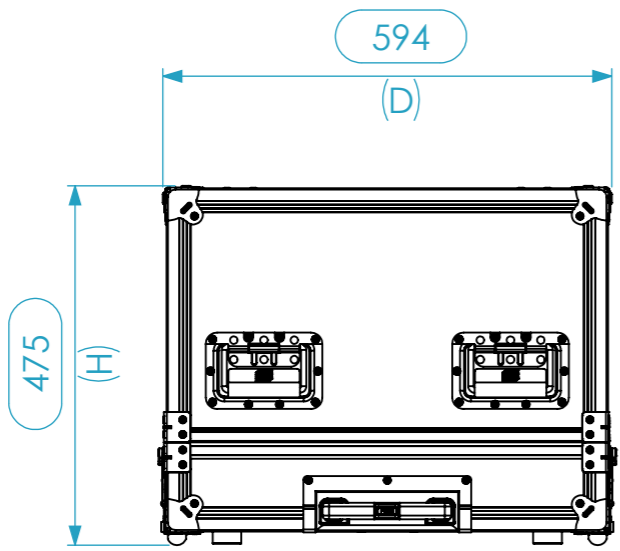


Internal Dimensions		
Width	Depth	Height
563	603	436
Weight	Approx. 14 Kg	
Wall Thickness		7mm



Drawn by	Name	Date
jose.couto	jose.couto	16/04/2024
Reference	M12BRE.RCS.0646047	
Scale	units in mm	general tolerance
1:10	DO NOT SCALE	0.8mm
FC Trolley and RCS , 603x563x433		



This drawing must not be copied or disclosed without consent of the owner



A3