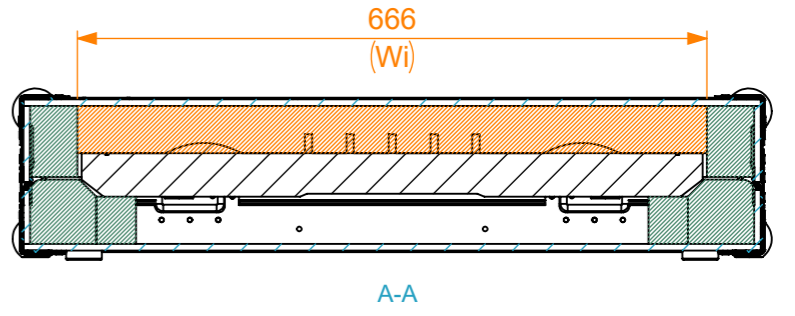
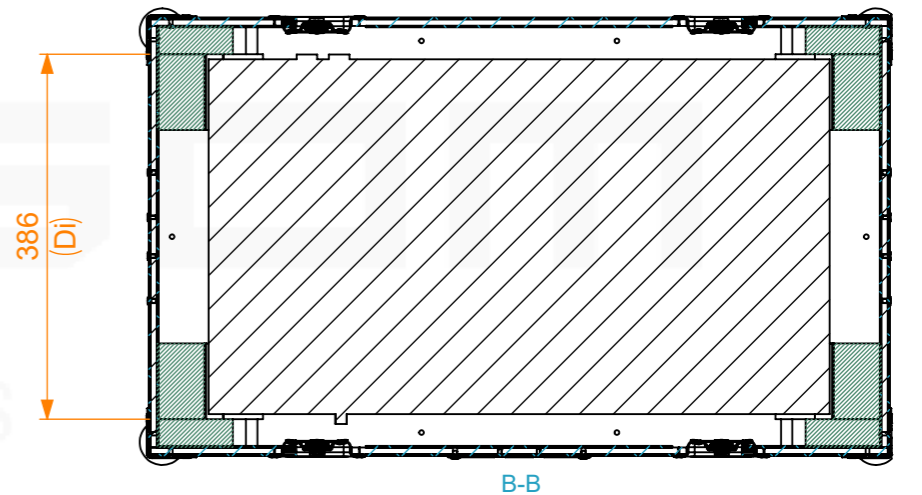
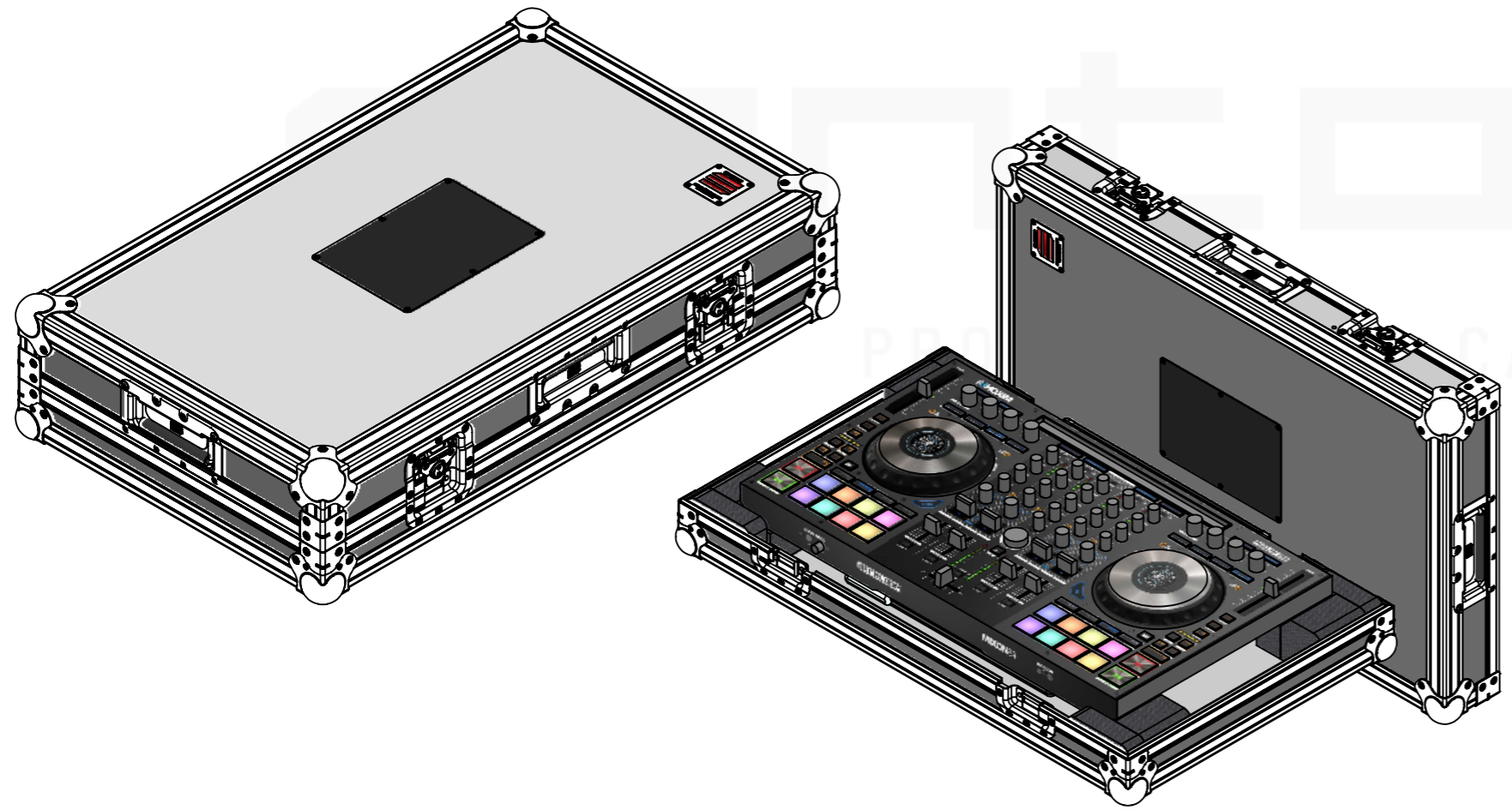
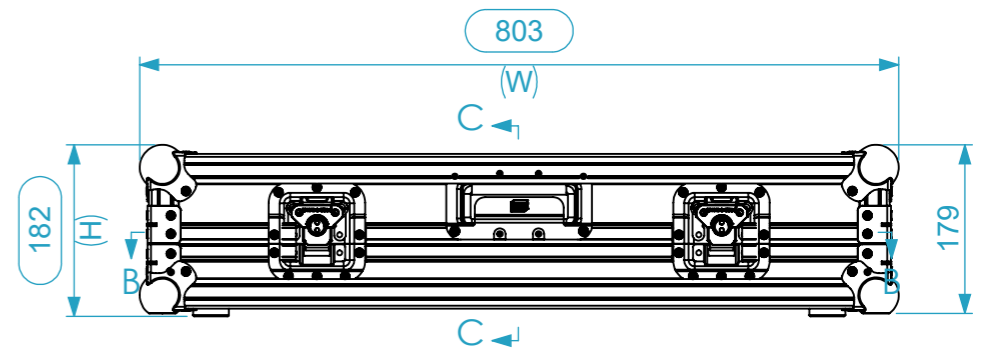
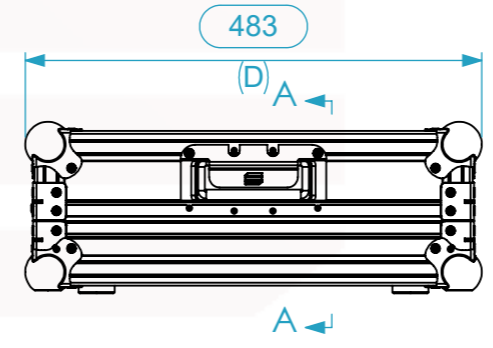
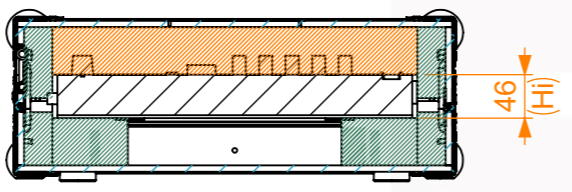
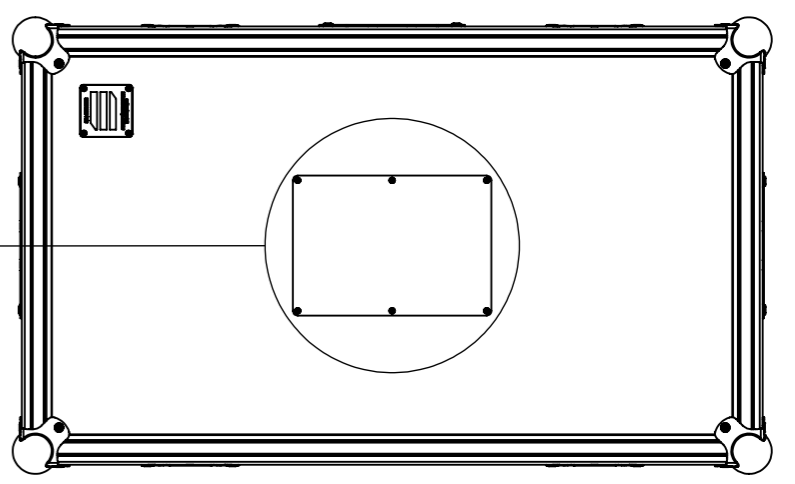
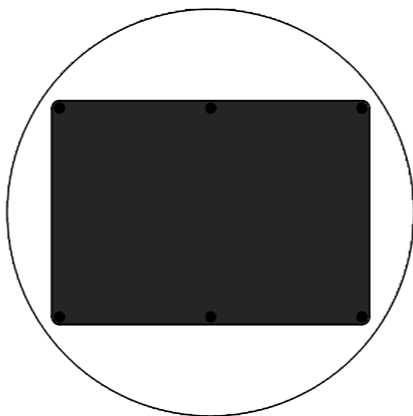


Equipment		
Width	Depth	Height
657	391	68
Weight	Approx. 5.7 Kg	
Internal Dimensions		
Width	Depth	Height
666	386	46
Weight	Approx. 24 Kg	
Wall Thickness		7 mm



General External Dimensions		Usable Inner Dimensions	
W	Width	Wi	Inside Width
D	Depth	Di	Inside Depth
H	Height	Hi	Inside Height

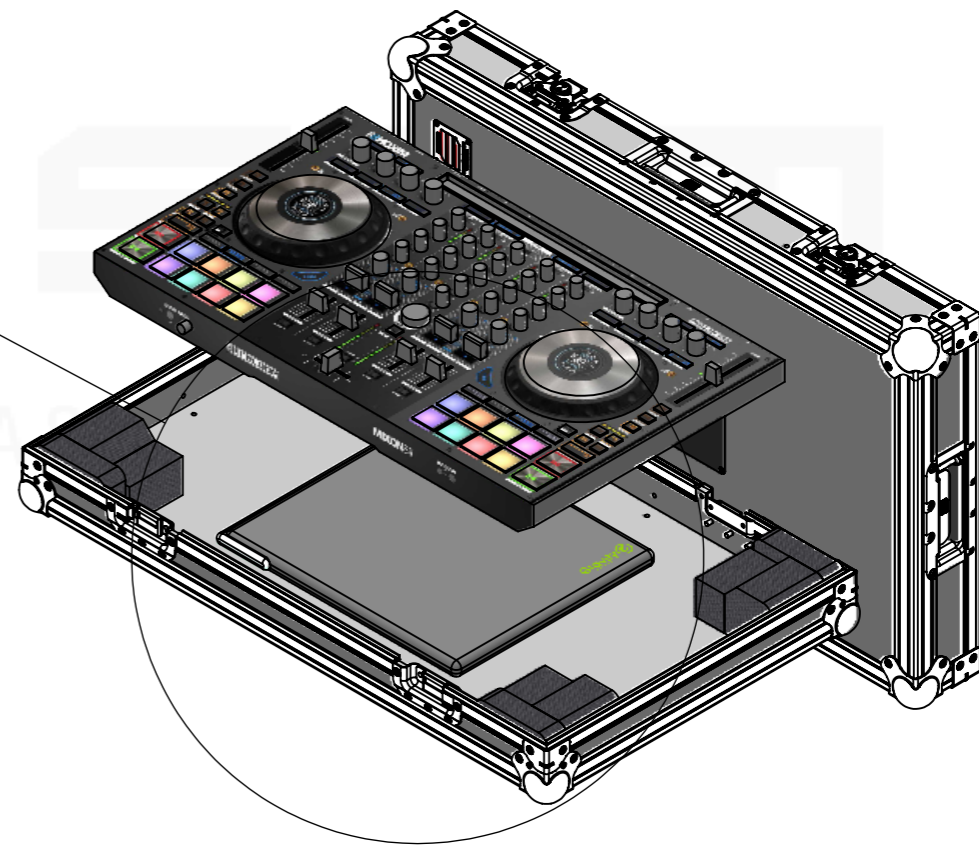
A3 This drawing must not be copied or disclosed without consent of the owner

Drawn by	Name	Date
tiago.pais	tiago.pais	19/03/2026
Reference	M12B.RLPM8P	
Scale	units in mm	general tolerance
1:8	DO NOT SCALE	0.8mm
Hand case, Reloop Mixon 8 Pro		





Opcional Gravity laptop stand with protective bag



PROFESSIONAL CASE

A3

This drawing must not be copied or disclosed without consent of the owner



Drawn by	tiago.pais	Date	19/03/2026
Reference	M12B.RLPM8P		
Scale	1:8	units in mm	general tolerance 0.8mm
Hand case, Reloop Mixon 8 Pro		DO NOT SCALE	

