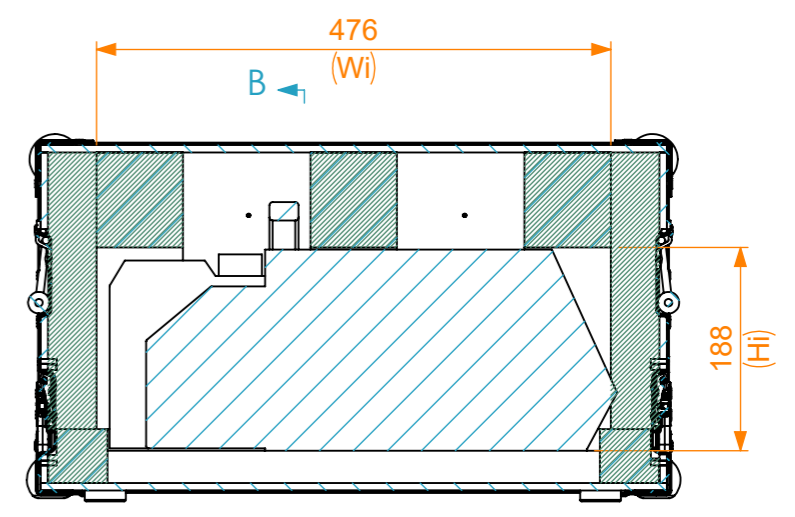
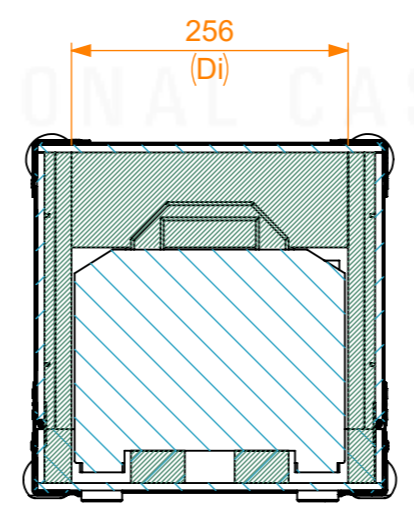
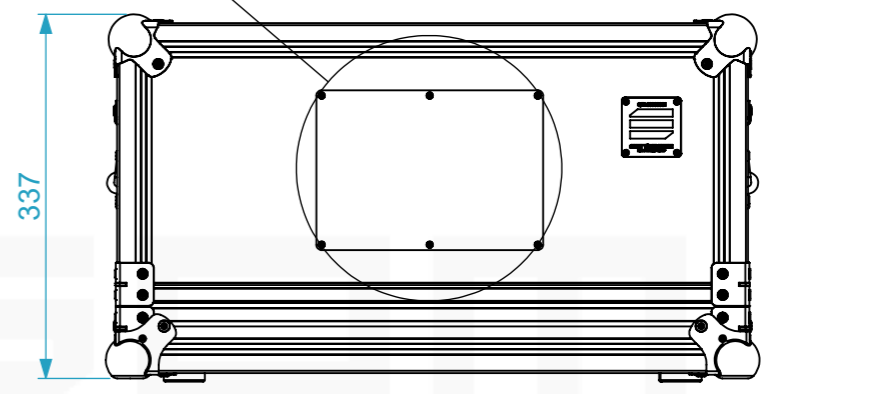
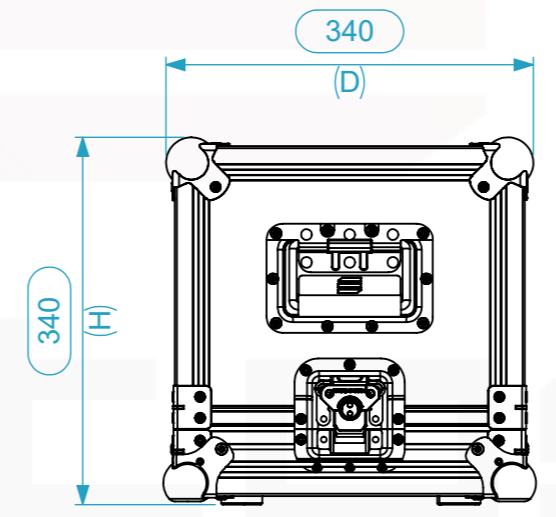
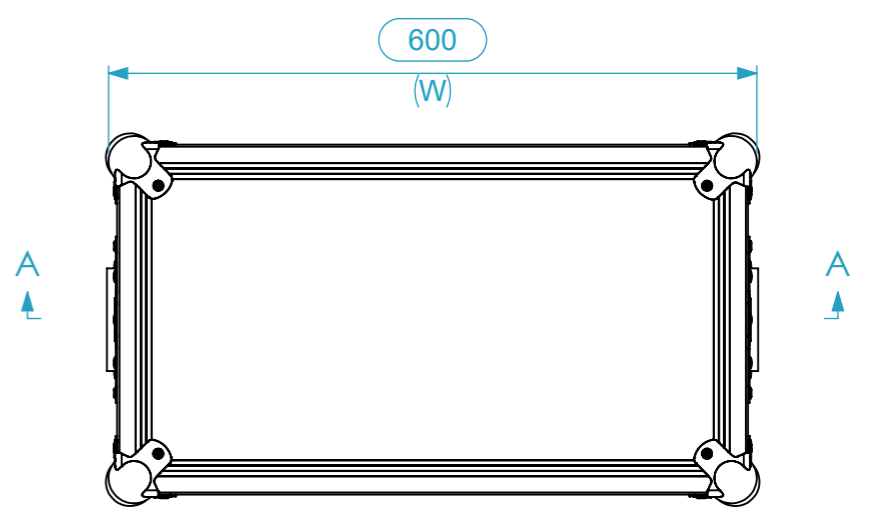
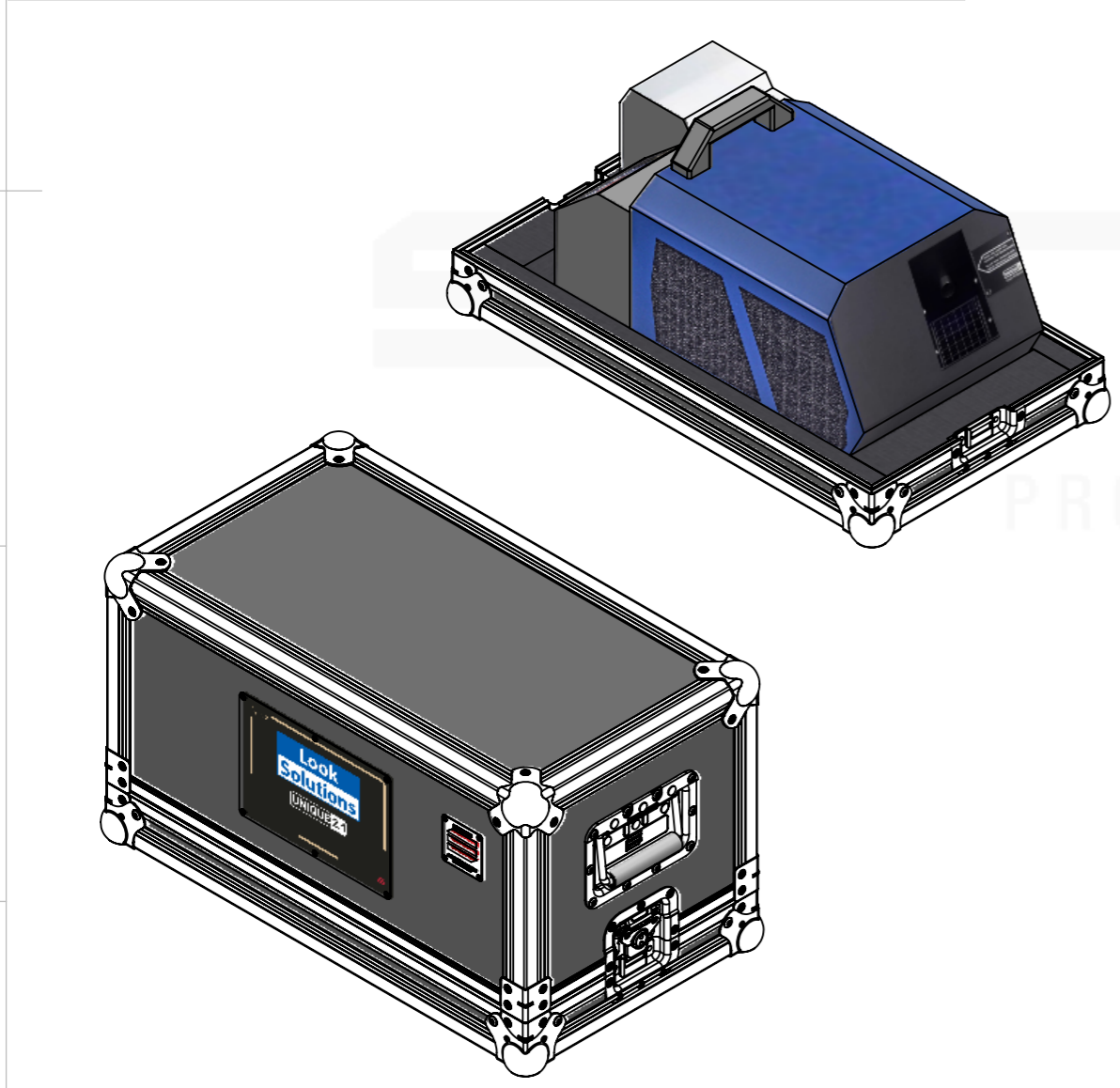
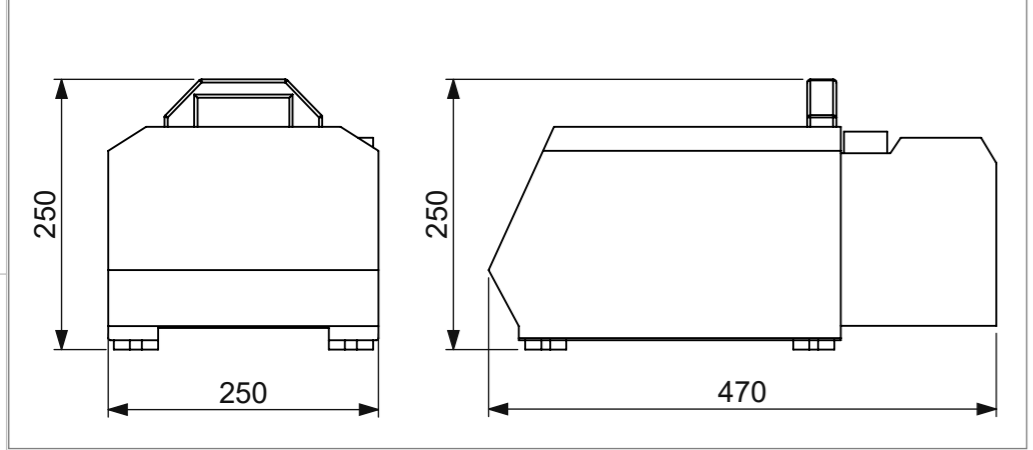


Equipment			LOOK SOLUTIONS UNIQUE 2.1		
Width	Depth	Height			
470	250	250			
Weight	Approx. 14 Kg				
Internal Dimensions					
Width	Depth	Height			
476	256	188			
Weight	Approx. 8.68 Kg				
Wall Thickness		7mm			



General External Dimensions		Usable Inner Dimensions (UID)	
W	Width	Wi	Inside Width
D	Depth	Di	Inside Depth
H	Height	Hi	Inside Height

A3 This drawing must not be copied or disclosed without consent of the owner

Drawn by	Name	Date
paula.almeida		17/01/2025
Reference	M12B.LKSU21	
Scale	units in mm	general tolerance
1:7	DO NOT SCALE	0.8mm
1st Angle projection	Flight case Look Solutions Unique 2.1	

