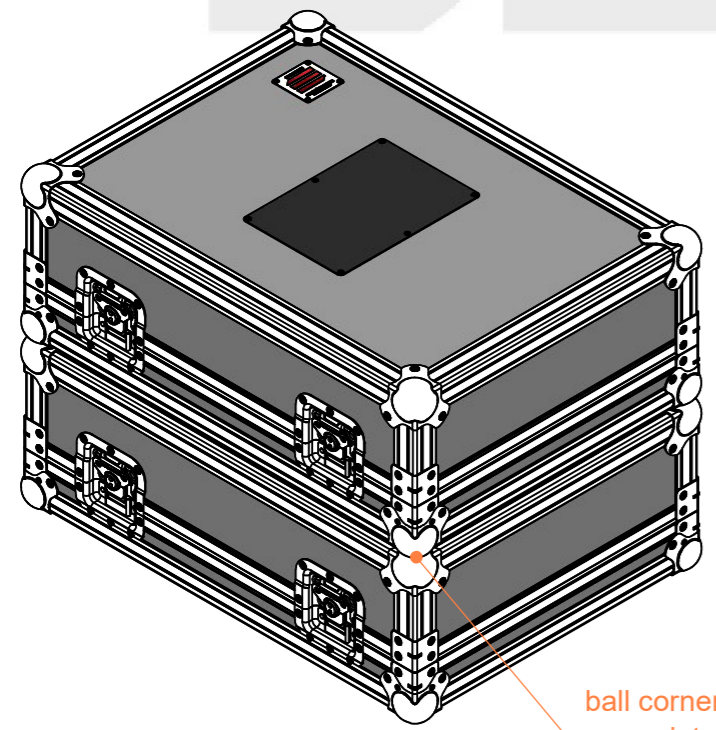
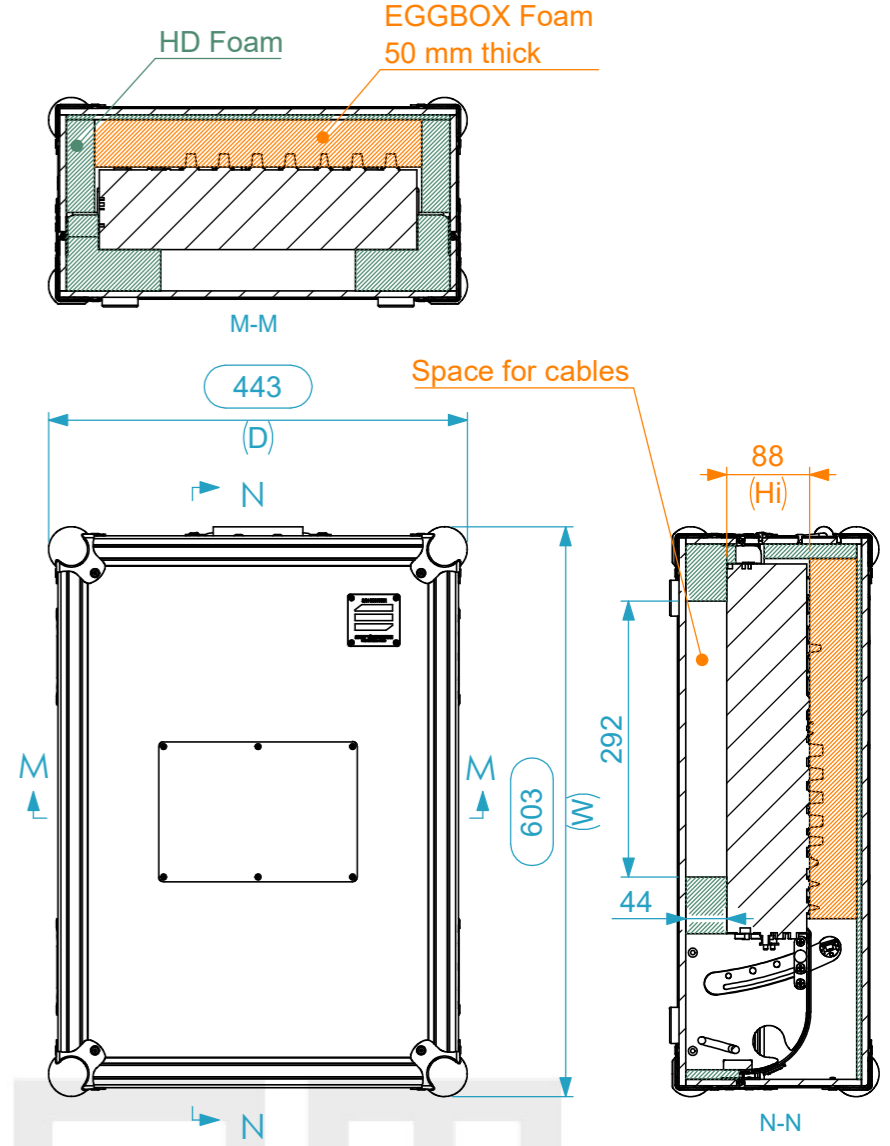
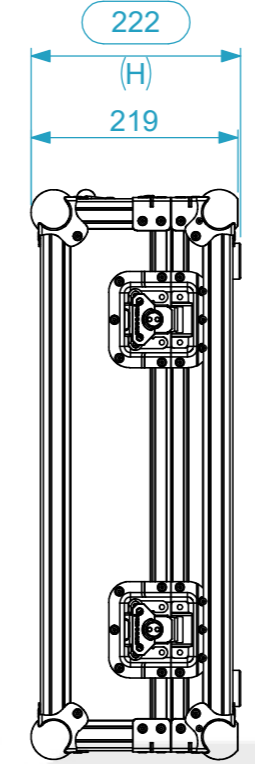
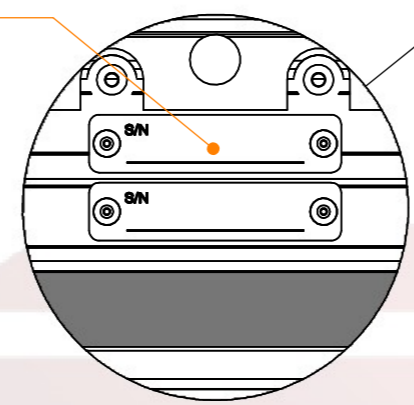
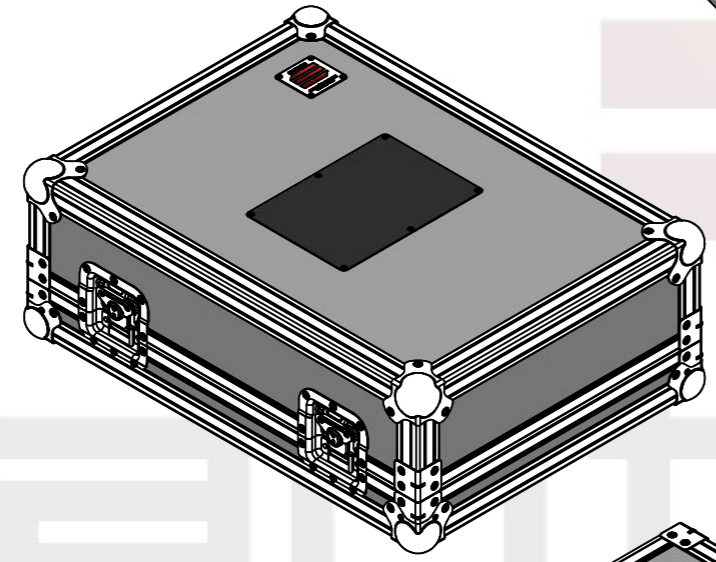
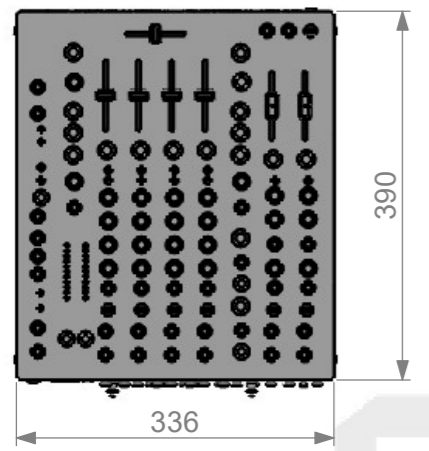
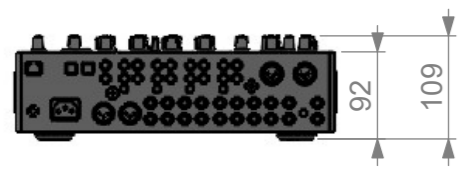
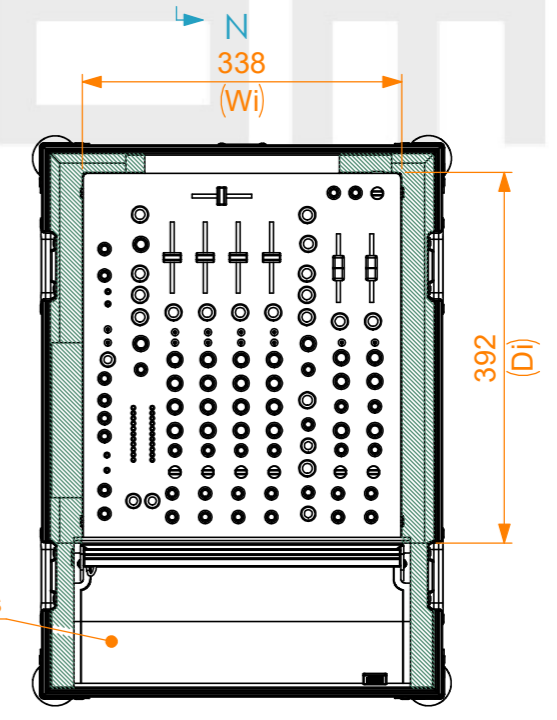


Equipment		Allen & Heath XONE 96	
Width	336	Depth	390
Height	109	Weight	Approx. 7Kg
Internal Dimensions			
Width	338	Depth	427
Height	88	Weight	Approx. 9 Kg
Wall Thickness			mm



ball corner for fitting cases into each other

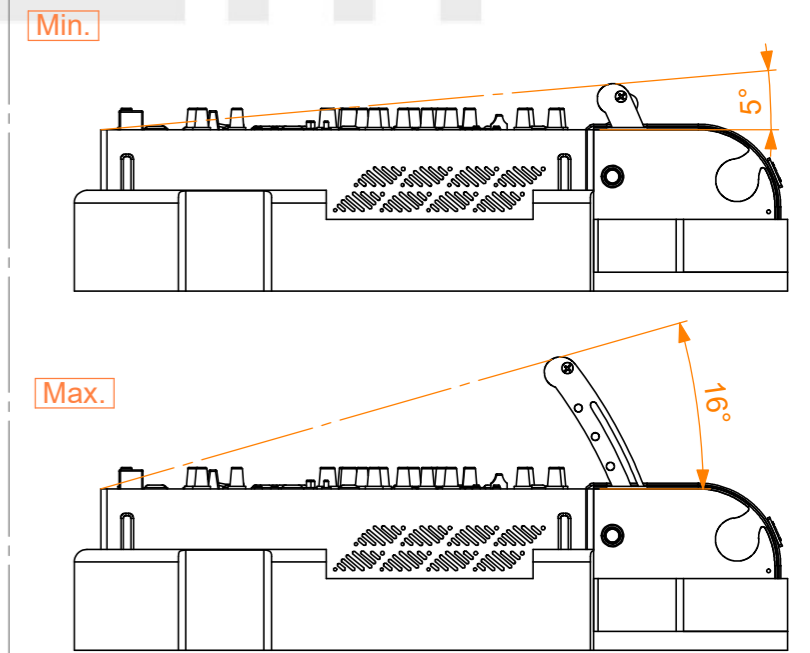
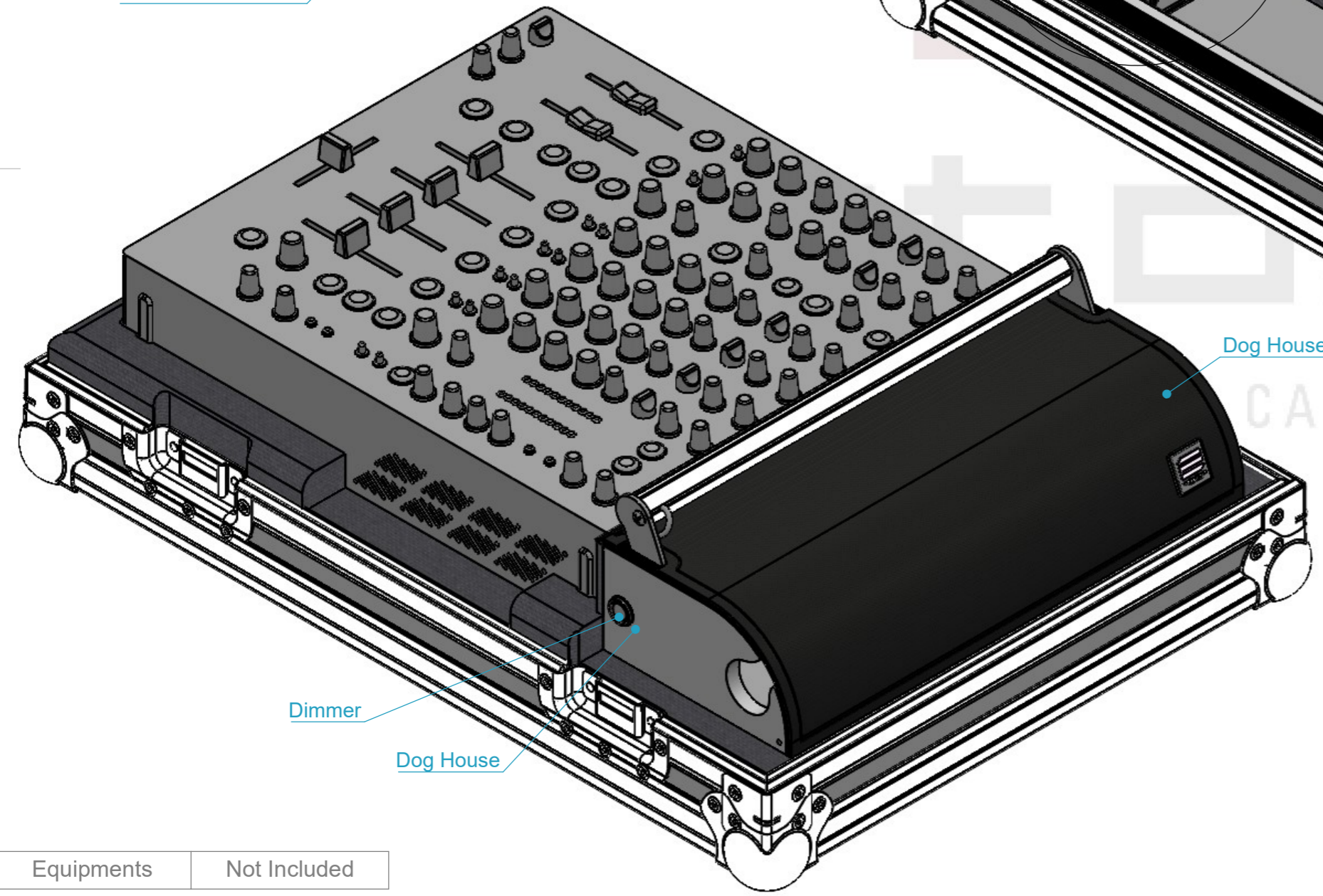
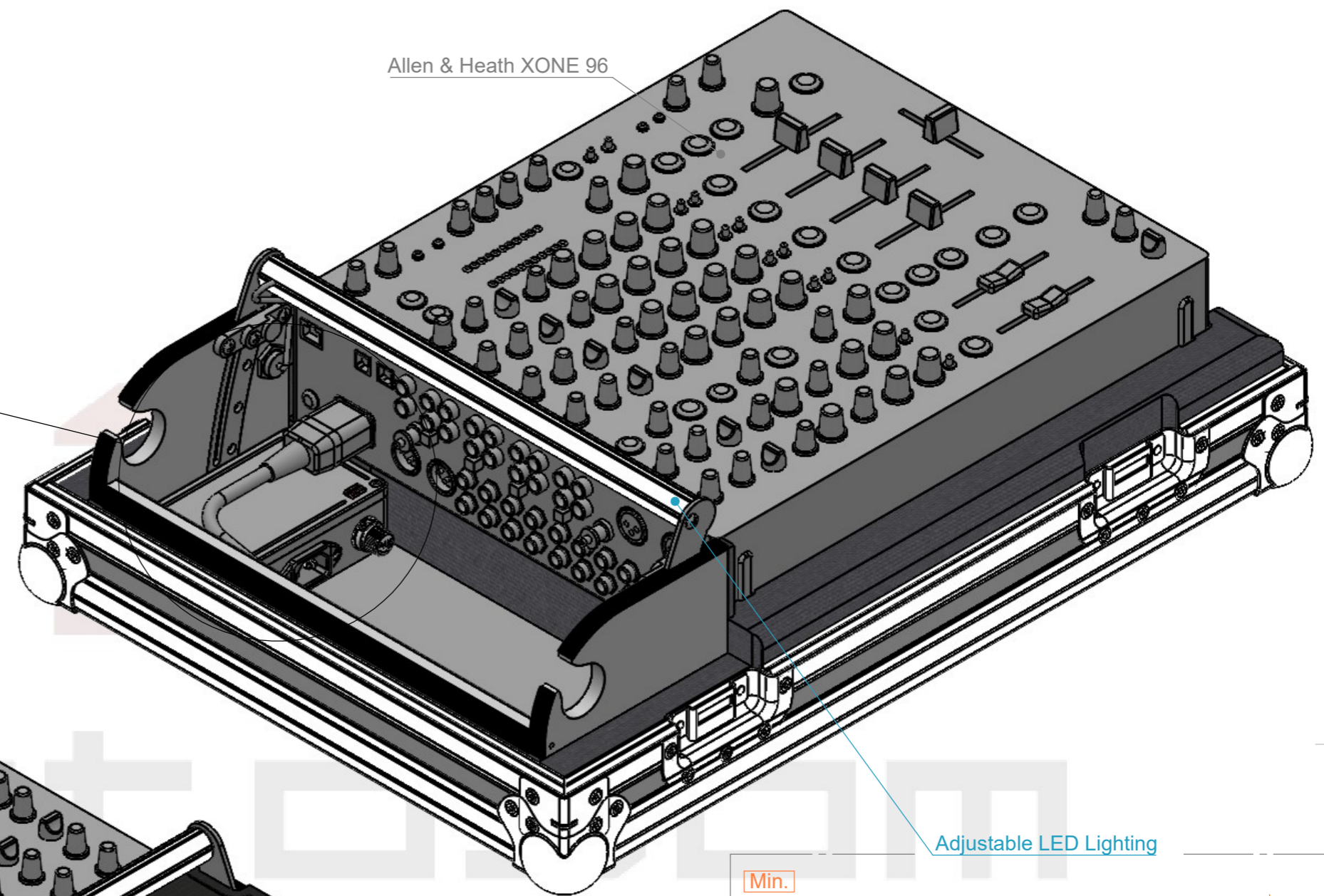
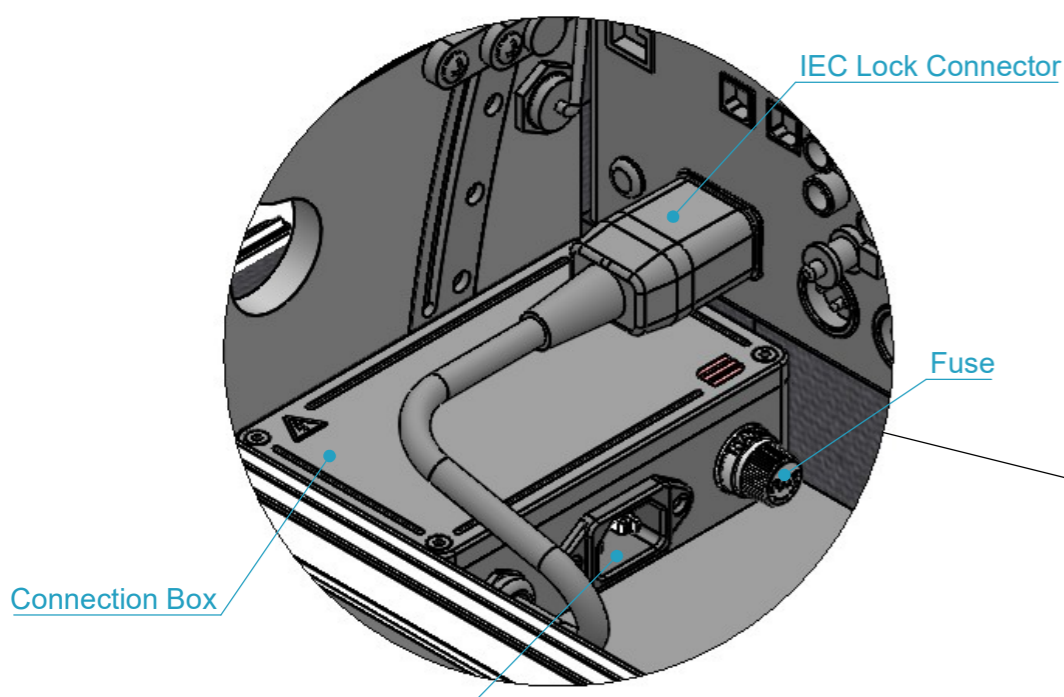


General External Dimensions		Usable Inner Dimensions	
W	Width	Wi	Inside Width
D	Depth	Di	Inside Depth
H	Height	Hi	Inside Height

A3 This drawing must not be copied or disclosed without consent of the owner

Drawn by	Name	Date
Reference	Scale	units in mm
Hand case, Allen & Heath XONE 96 w/doghouse		general tolerance 0.8mm





Equipments	Not Included
Accessories	Included

A3 This drawing must not be copied or disclosed without consent of the owner

Drawn by	Name	Date
catarina.silva	catarina.silva	07/01/2026
Reference	M12B.ALHX96PRO	
Scale	units in mm	general tolerance
1:3	DO NOT SCALE	0.8mm
1st Angle projection	Hand case, Allen & Heath XONE 96 w/doghouse	

