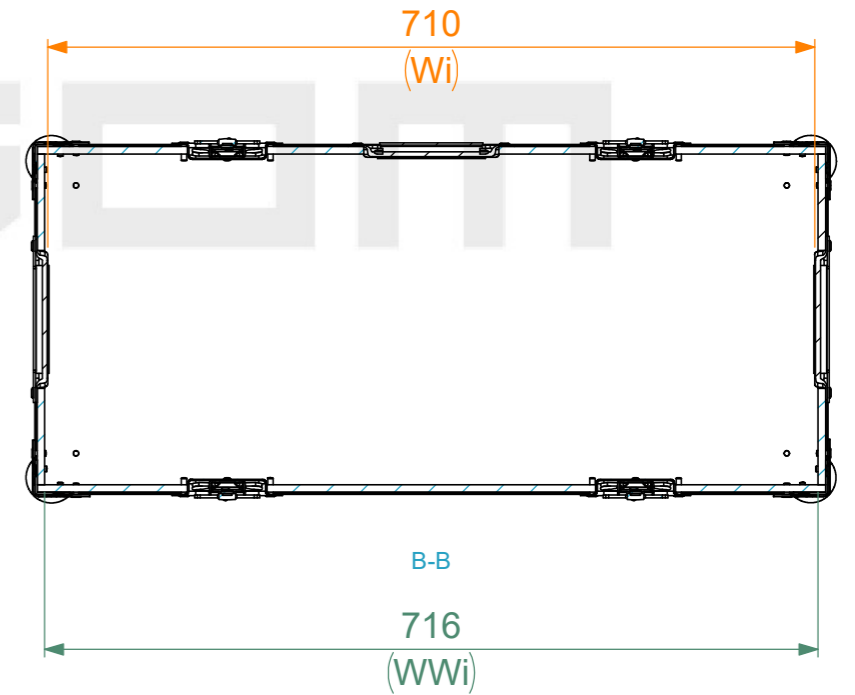
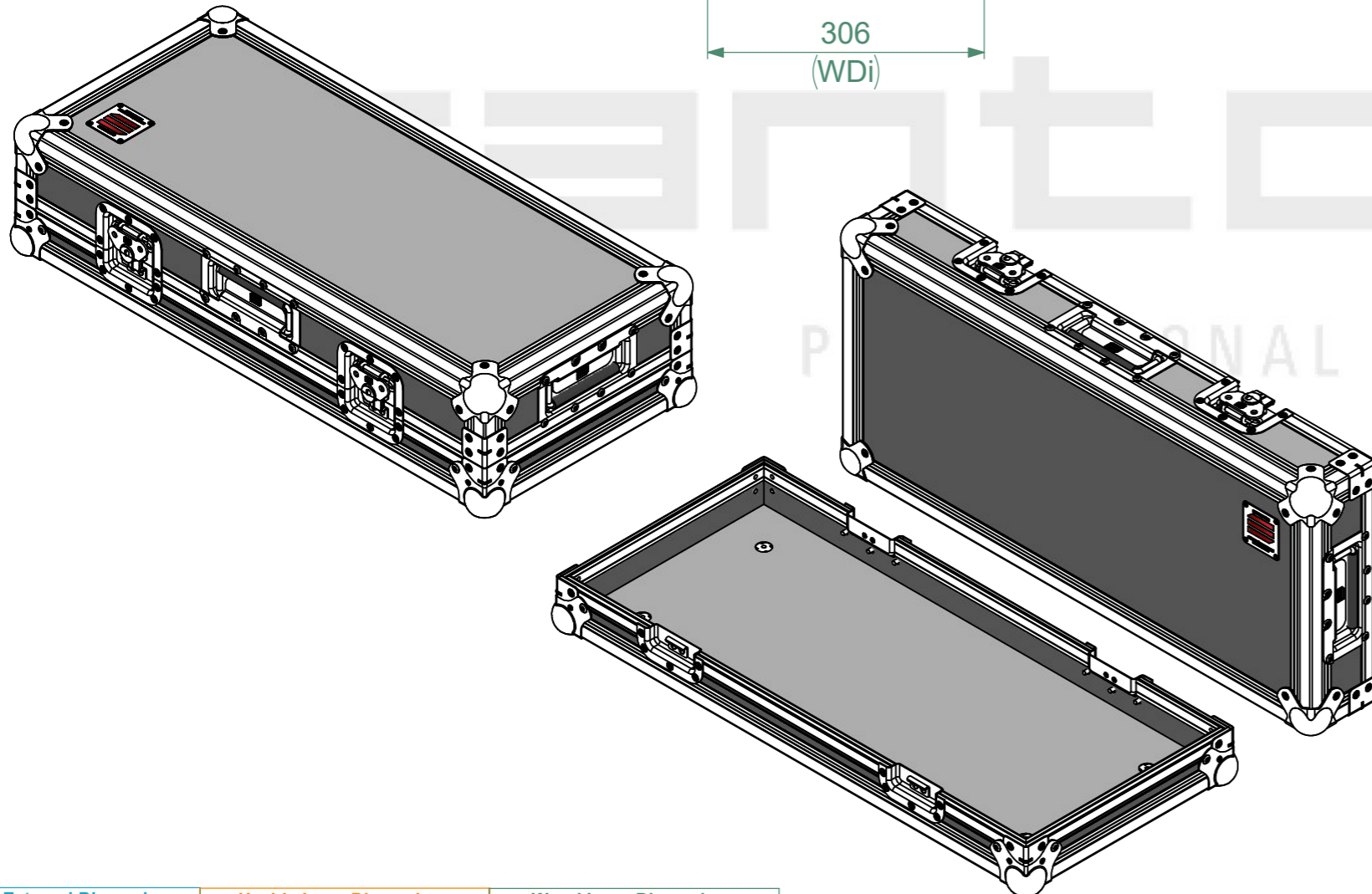
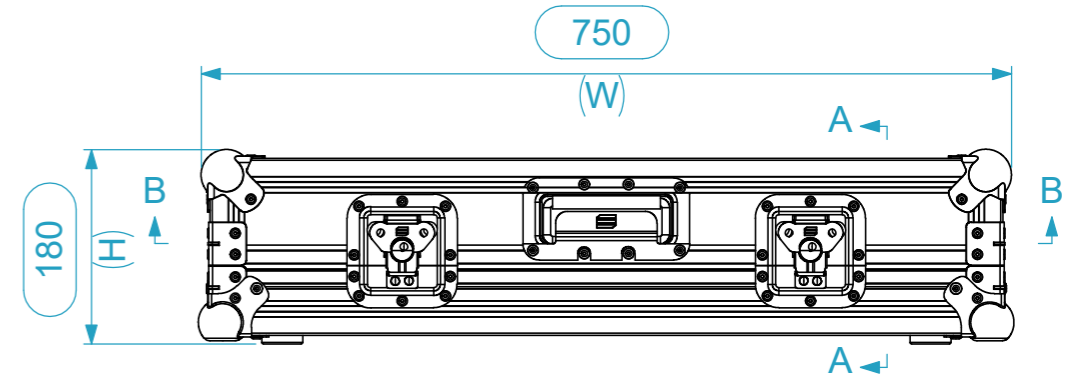
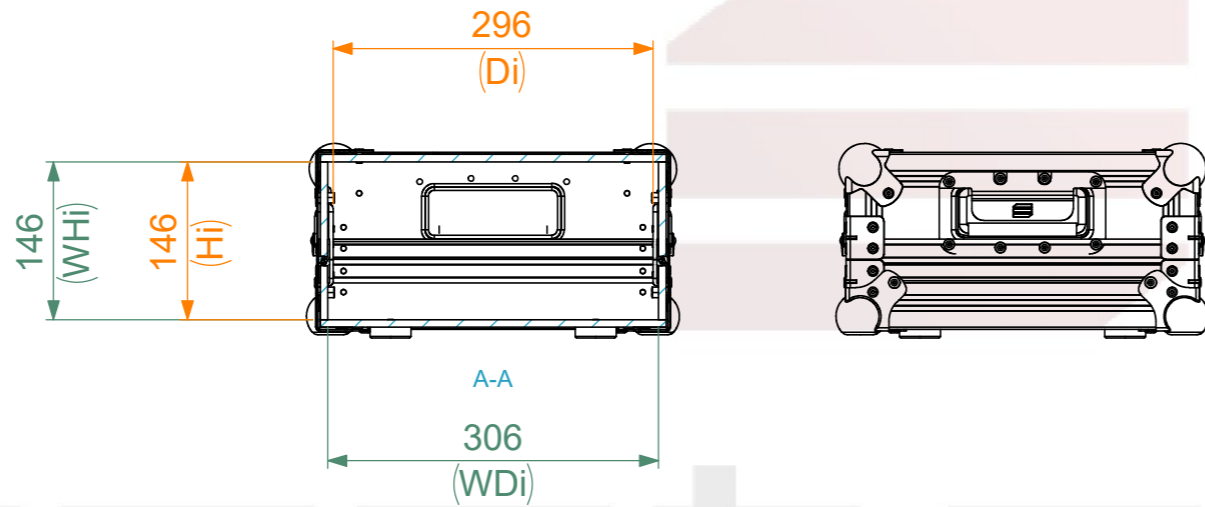
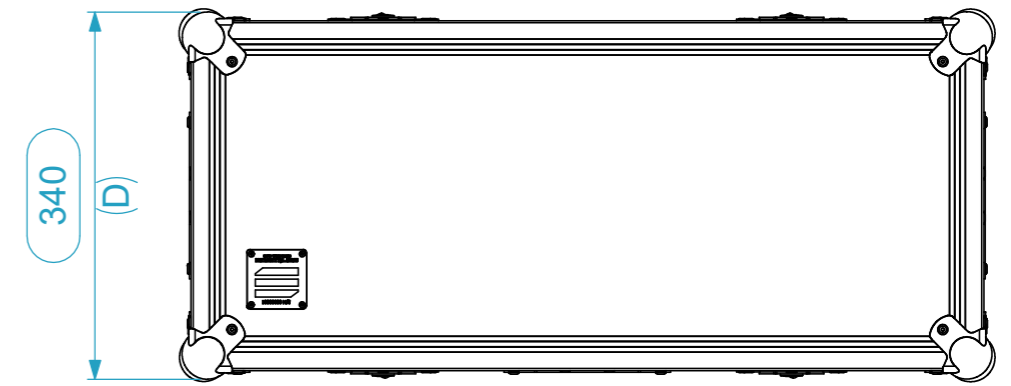


Internal Dimensions		
Width	Depth	Height
710	296	146
Weight	Approx. 8 Kg	
Wall Thickness		7mm



General External Dimensions		Usable Inner Dimensions		Wood Inner Dimensions	
W	Width	Wi	Inside Width	WWi	Wood Inside Width
D	Depth	Di	Inside Depth	WDi	Wood Inside Depth
H	Height	Hi	Inside Height	WHi	Wood Inside Height

Drawn by	Name	Date
projects		29/01/2024
Reference	M12B.0753418	
Scale	units in mm	general tolerance
1:7	DO NOT SCALE	0.8mm
FC M12B, 713x303x146 INNER DIM.		



This drawing must not be copied or disclosed without consent of the owner



A3