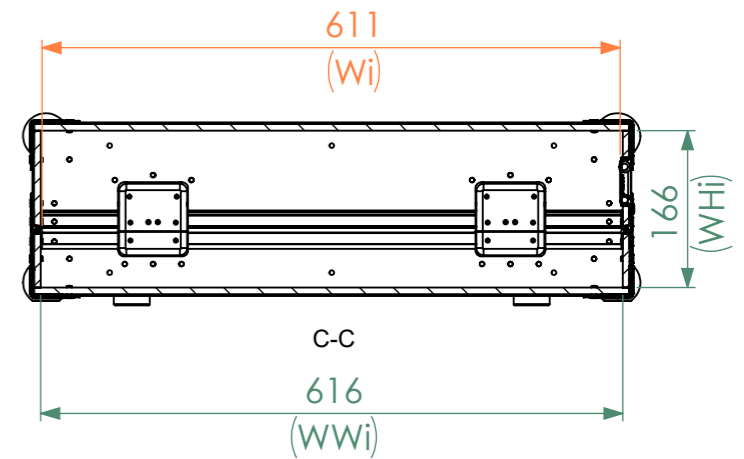
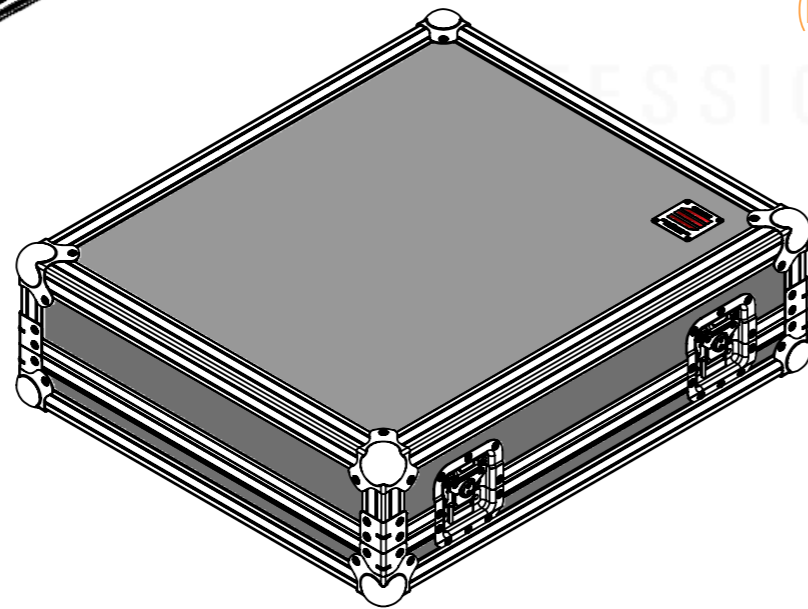
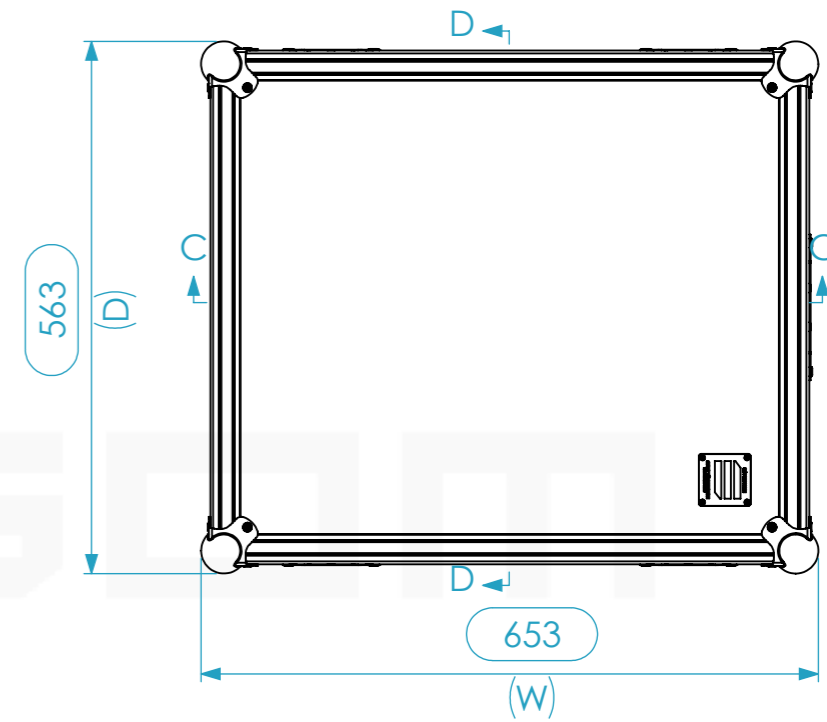
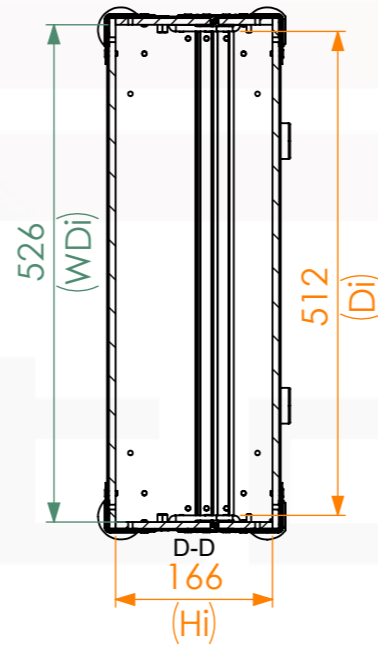
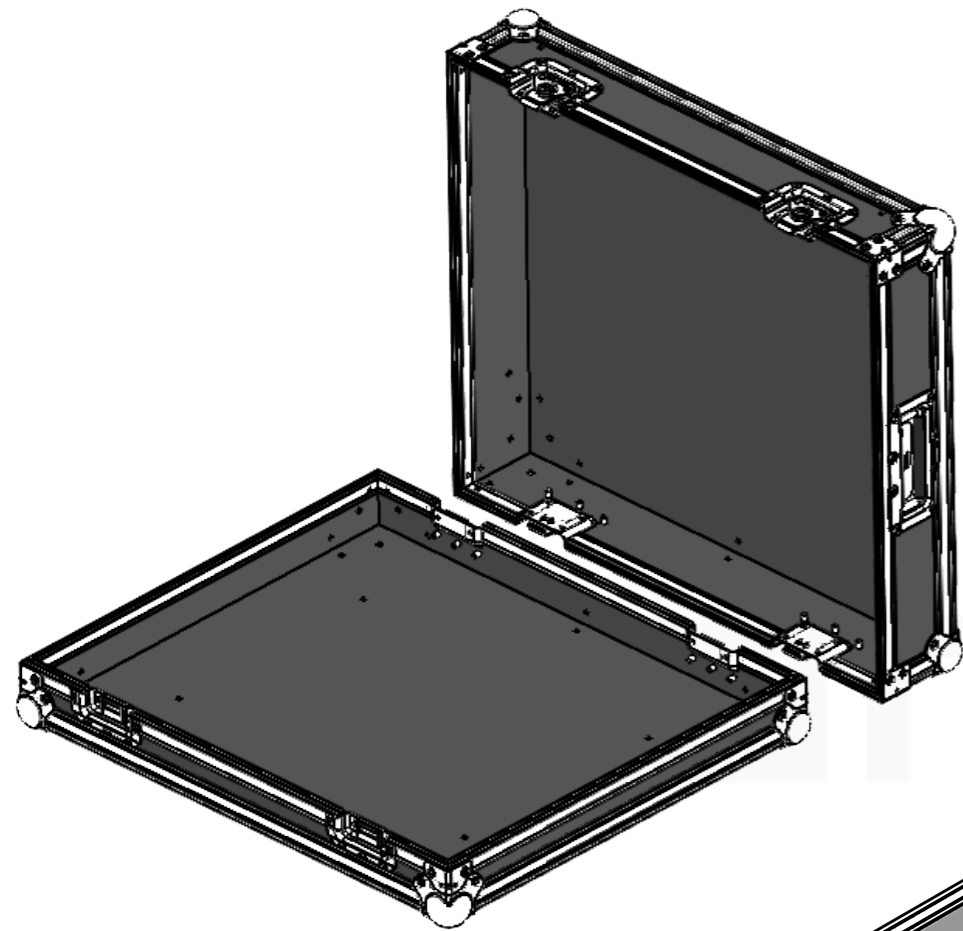
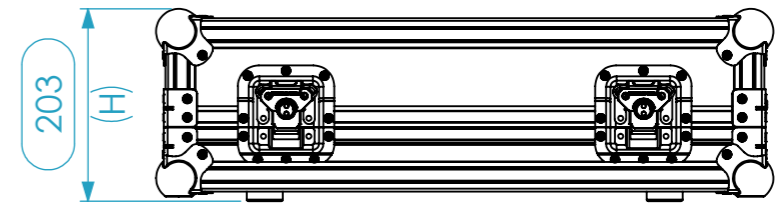
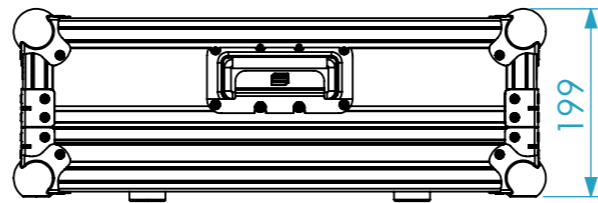


Internal Dimensions		
Width	Depth	Height
616	526	166
Weight	Approx. 9 Kg	
Wall Thickness		7mm



General External Dimensions		Usable Inner Dimensions (UID)		Wood Inner Dimensions (WID)	
W	Width	Wi	Inside Width	WWi	Wood Inside Width
D	Depth	Di	Inside Depth	WDi	Wood Inside Depth
H	Height	Hi	Inside Height	WHi	Wood Inside Height

This drawing must not be copied or disclosed without consent of the owner

Drawn by	Name	Date
guilherme.santos	guilherme.santos	11/06/2026
Reference	M12B.0655620	
Scale	units in mm	general tolerance
1:8	DO NOT SCALE	0.8mm
1st Angle projection	FC M1, 616x526x166	



A3