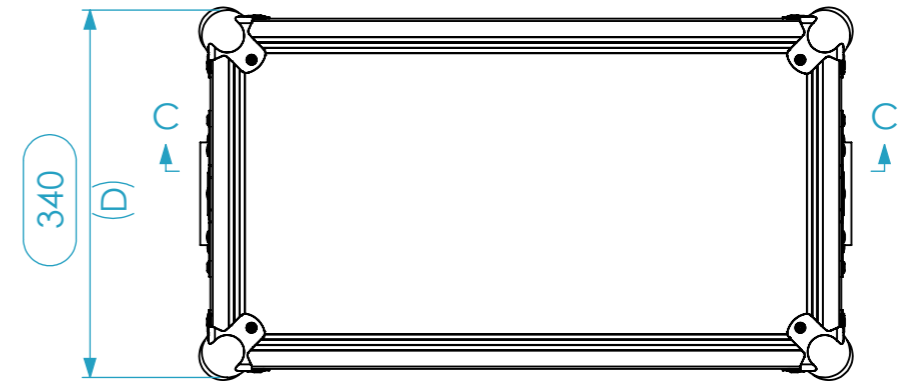
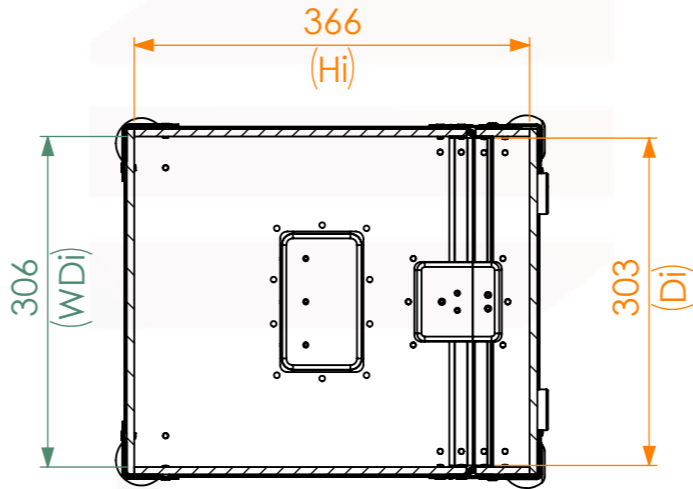
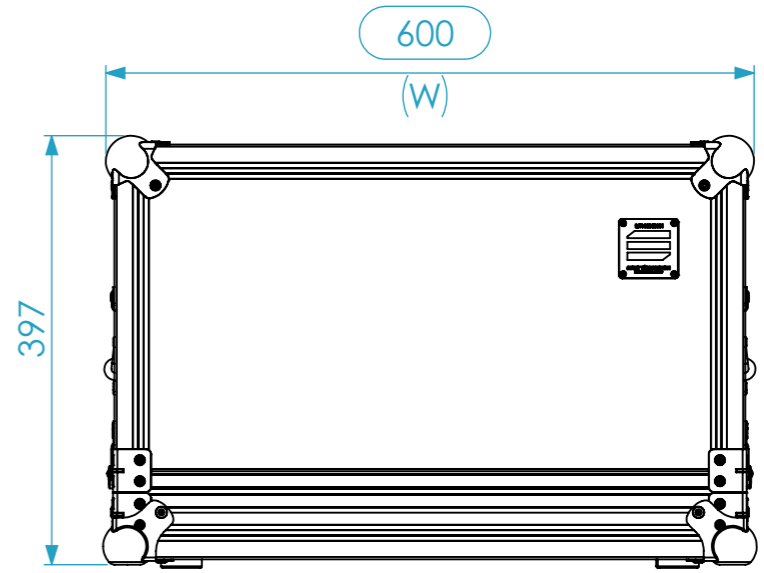
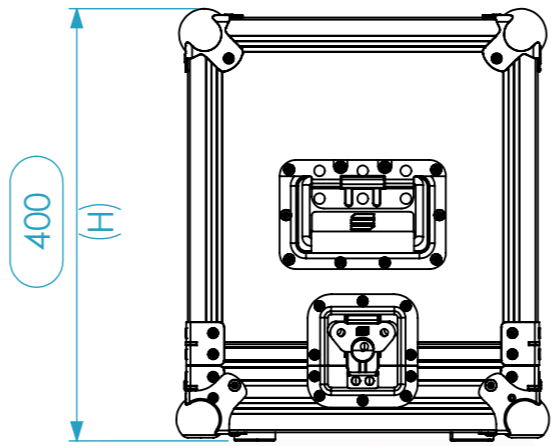
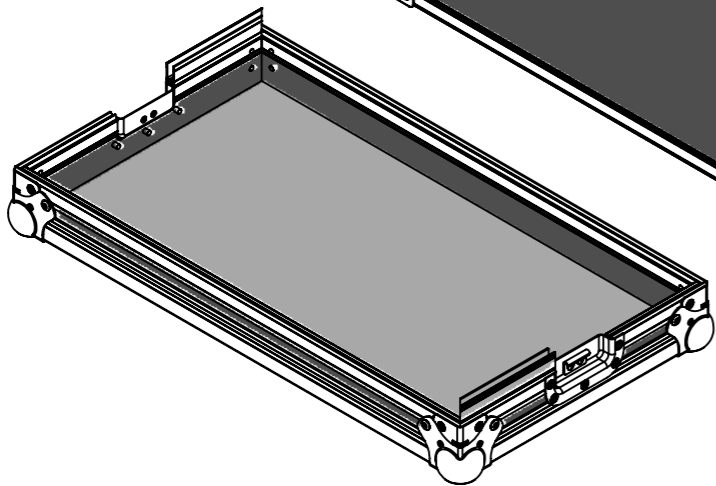
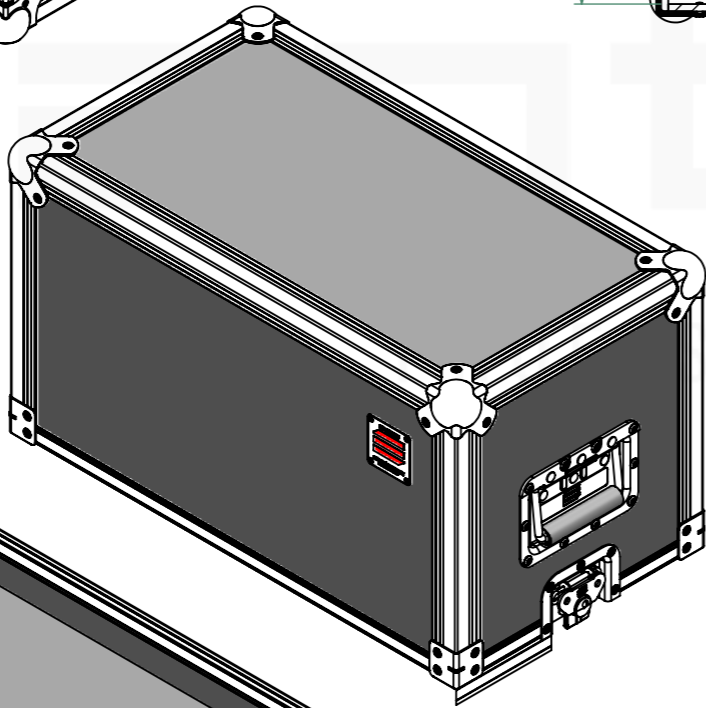
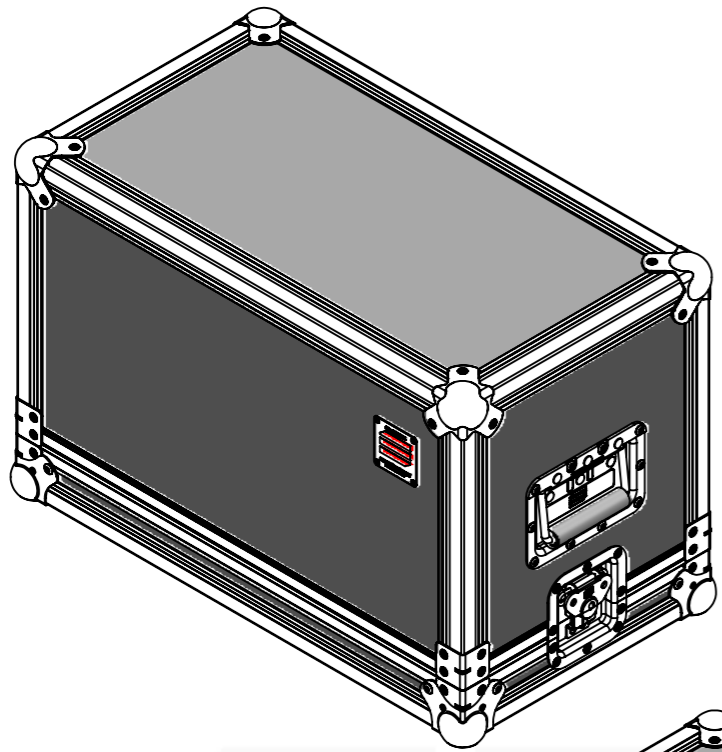
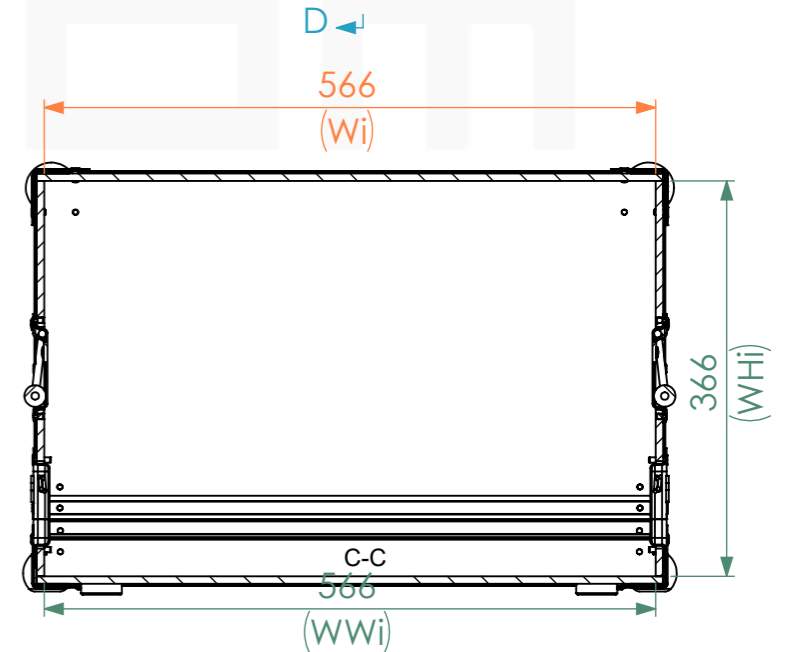


Internal Dimensions		
Width	Depth	Height
563	303	363
Weight	Approx. 8 Kg	
Wall Thickness	7mm	



D-D



General External Dimensions		Usable Inner Dimensions (UID)		Wood Inner Dimensions (WID)	
W	Width	Wi	Inside Width	WWi	Wood Inside Width
D	Depth	Di	Inside Depth	WDi	Wood Inside Depth
H	Height	Hi	Inside Height	WHi	Wood Inside Height

Drawn by	Name	Date
CarlaSilva	CarlaSilva	02/05/2023
Reference	M12B.0603440	
Scale	units in mm	general tolerance
1:7	DO NOT SCALE	0.8mm
Flight Case M12B, 563x303x356mm inner dim.		



This drawing must not be copied or disclosed without consent of the owner



A3