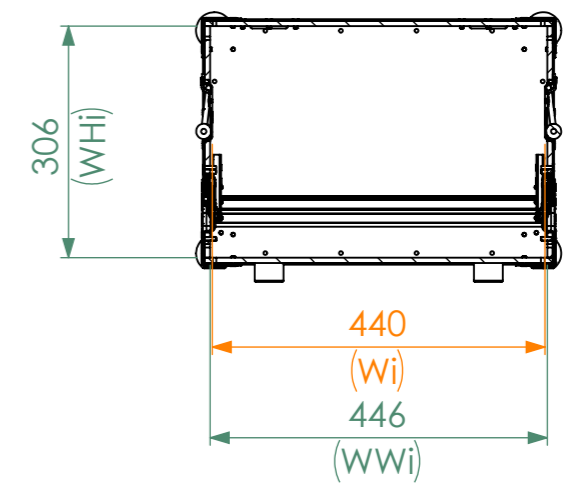
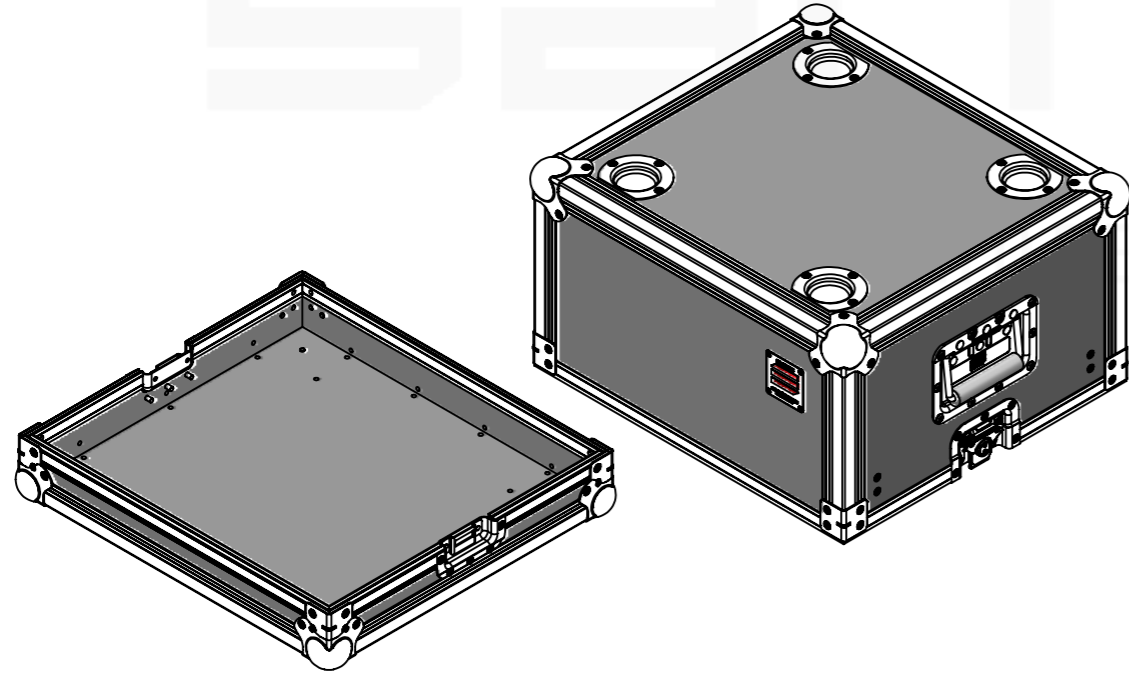
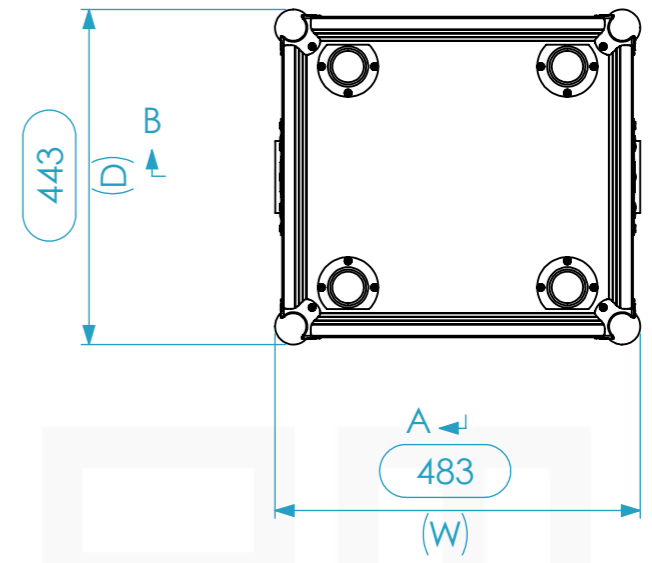
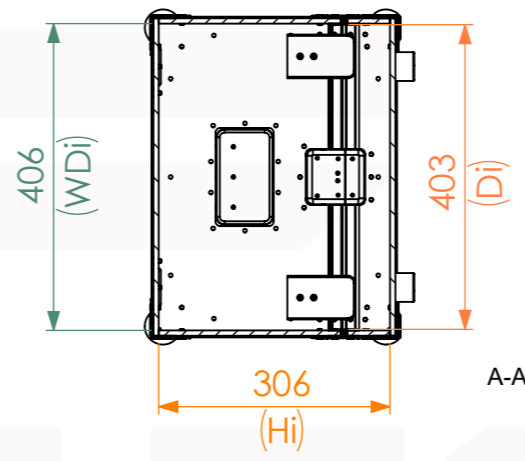
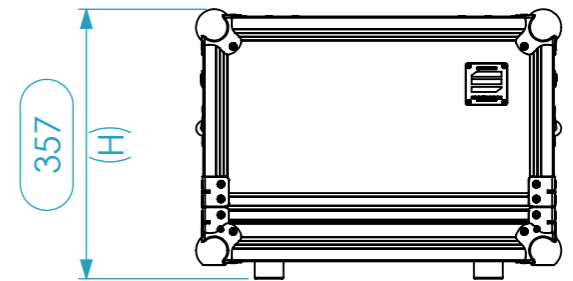
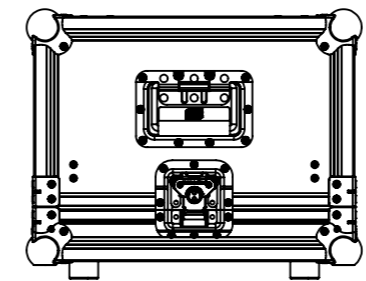
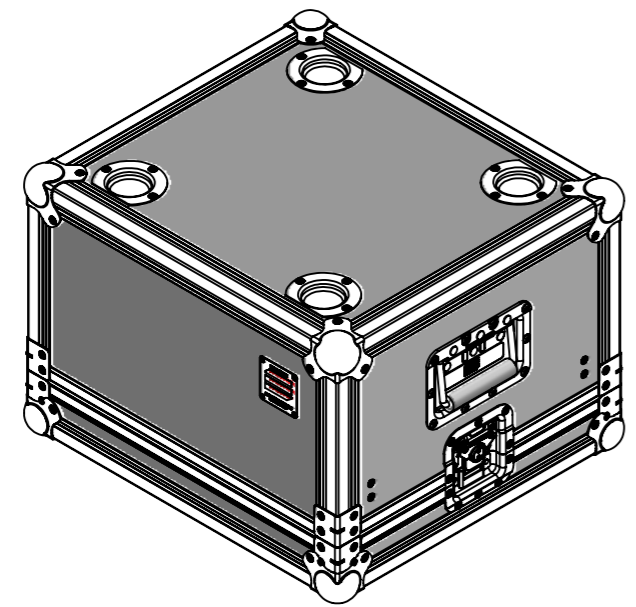


Dimensões

Comprimento	Largura	Altura
443	403	303
Peso	Approx. 8 Kg	
Espessura	7mm	



General External Dimensions		Usable Inner Dimensions (UID)		Wood Inner Dimensions (WID)	
W	Width	Wi	Inside Width	WWi	Wood Inside Width
D	Depth	Di	Inside Depth	WDi	Wood Inside Depth
H	Height	Hi	Inside Height	WHi	Wood Inside Height

This drawing must not be copied or disclosed without consent of the owner

Drawn by	Name	Date
guilherme.santos	guilherme.santos	04/05/2026
Reference	M12B.0484434	
Scale	units in mm	general tolerance
1:10	DO NOT SCALE	0.8mm
1st Angle projection	FLIGHT CASE M12B. 443x403x303 INNER DIM.	

