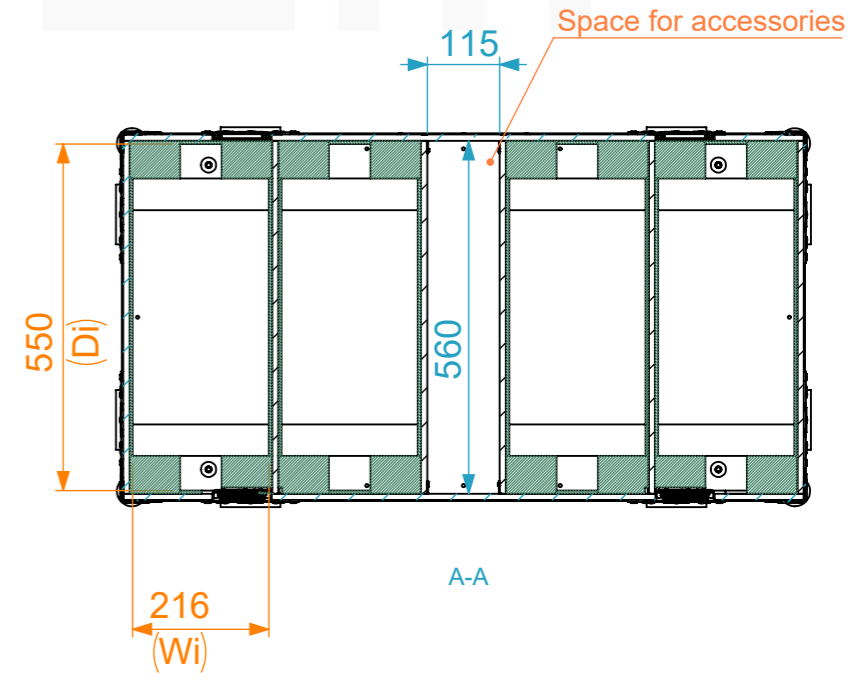
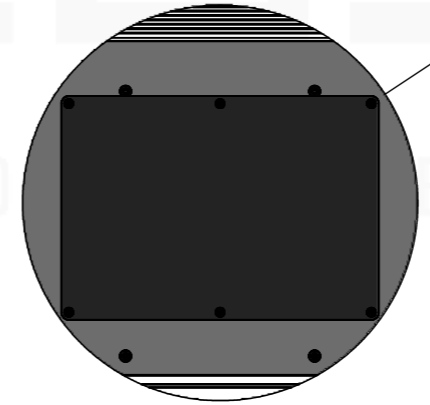
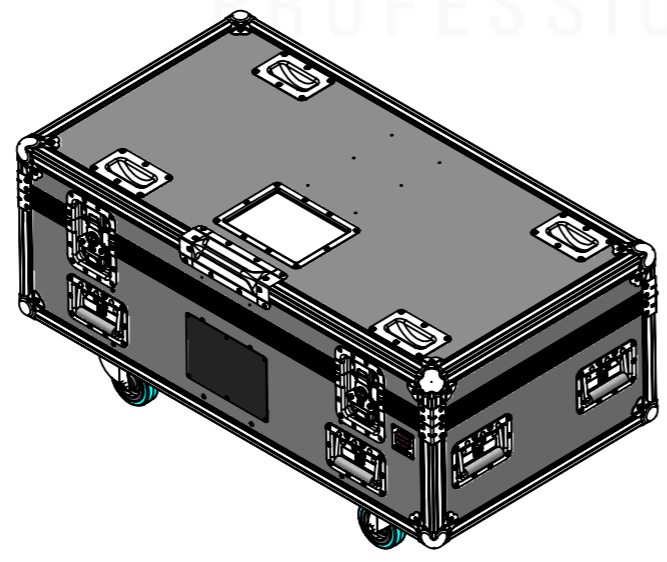
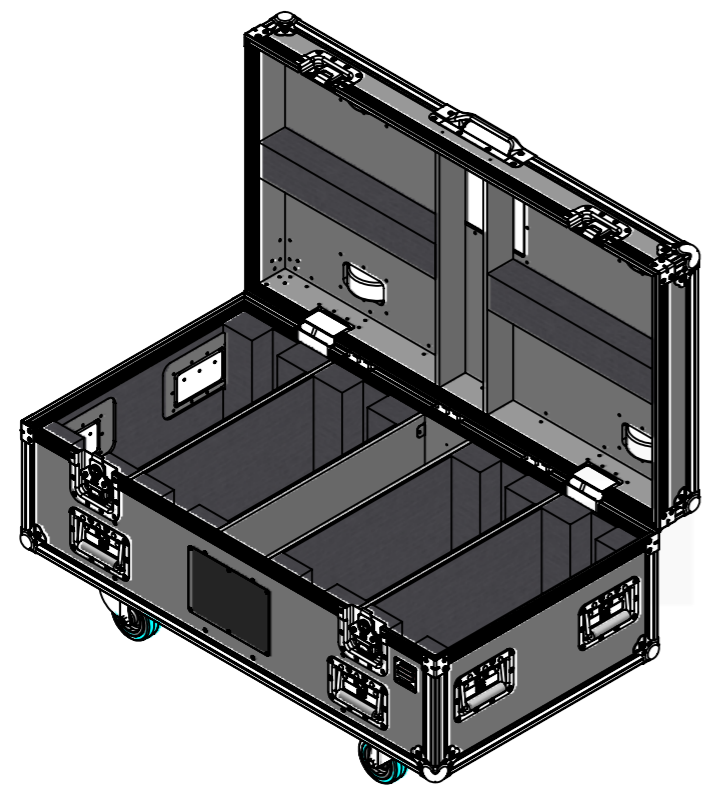
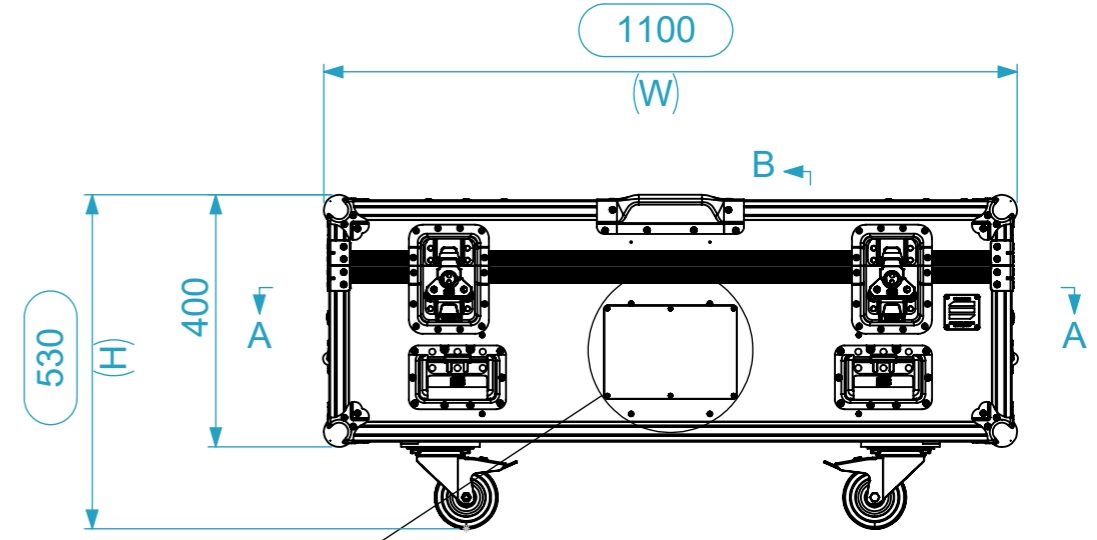
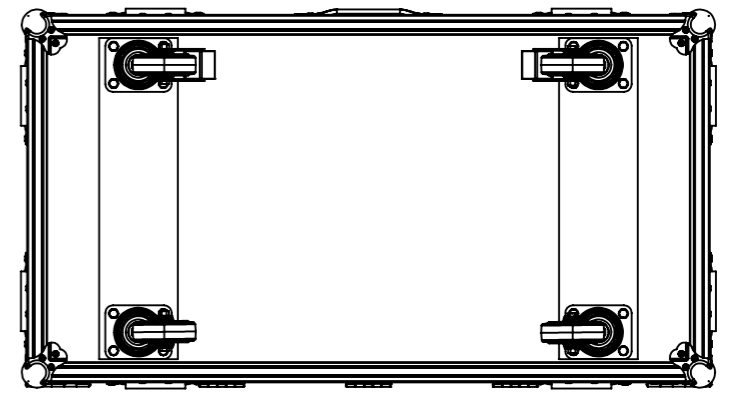
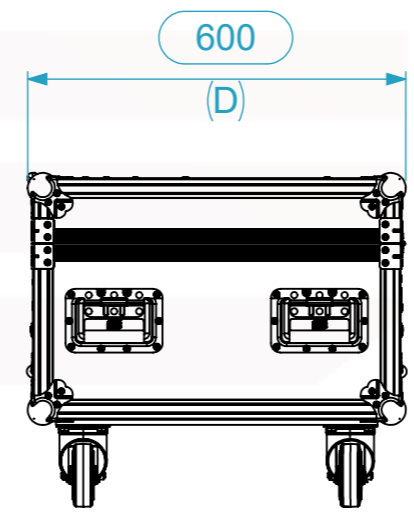
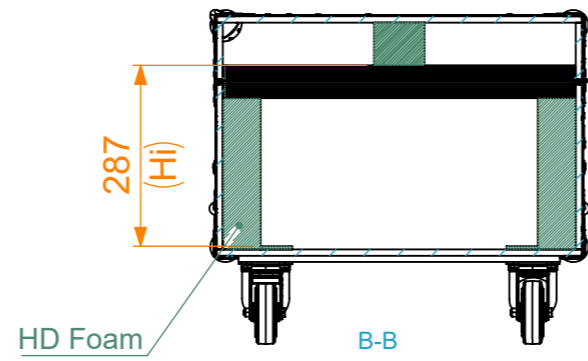


Equipment	Multiflood Pro IP SMD RGBW S/W	
Width	Depth	Height
490	160	285
Weight	Approx. 23.5 Kg	
Internal Dimensions		
Width	Depth	Height
550	216	287
Weight	Approx. 38 Kg	
Wall Thickness	10 mm	



Usable Inner Dimensions (UID)		General External Dimensions	
Wi	Inside Width	W	Width
Di	Inside Depth	D	Depth
Hi	Inside Height	H	Height

This drawing must not be copied or disclosed without consent of the owner

Drawn by	Name	Date
tiago.pais	tiago.pais	28/04/2026
Reference	LSPW.ERLMPiPR.04	
Scale	units in mm	general tolerance
1:12	DO NOT SCALE	0.8mm
1st Angle projection	Flight case PRO.4x Multiflood Pro IP SMD RGBW S/W	

