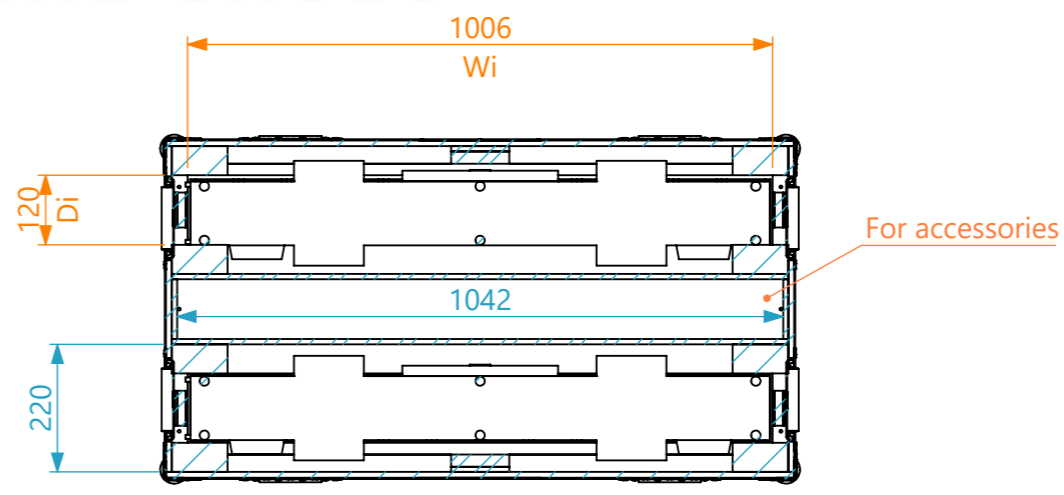
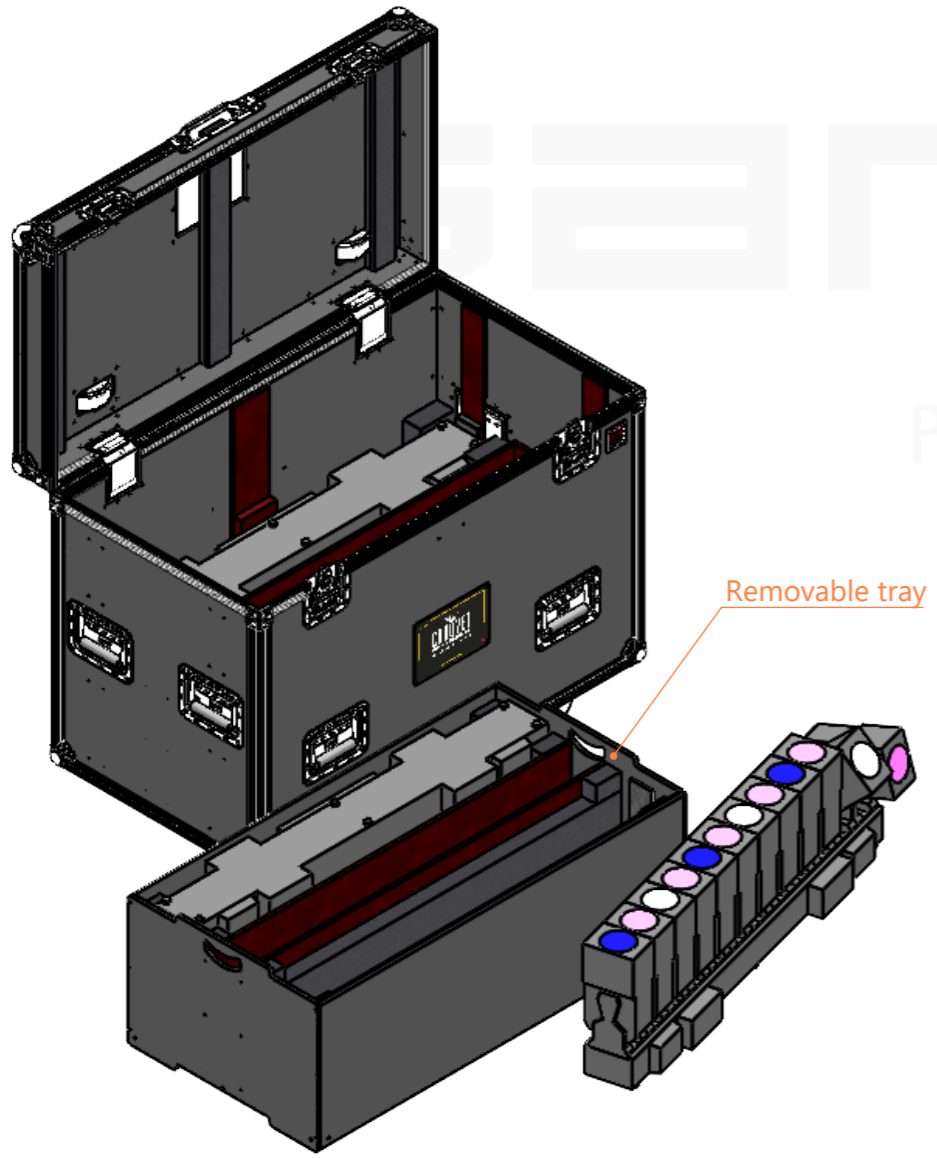
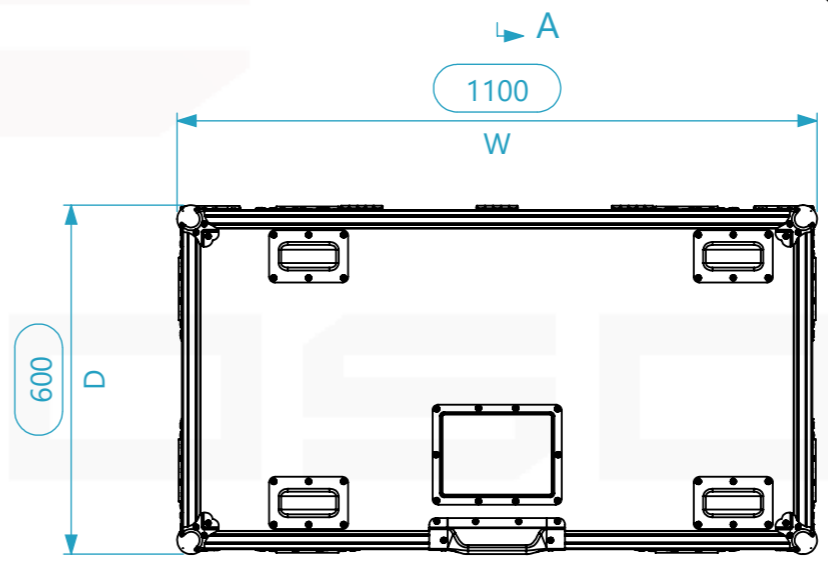
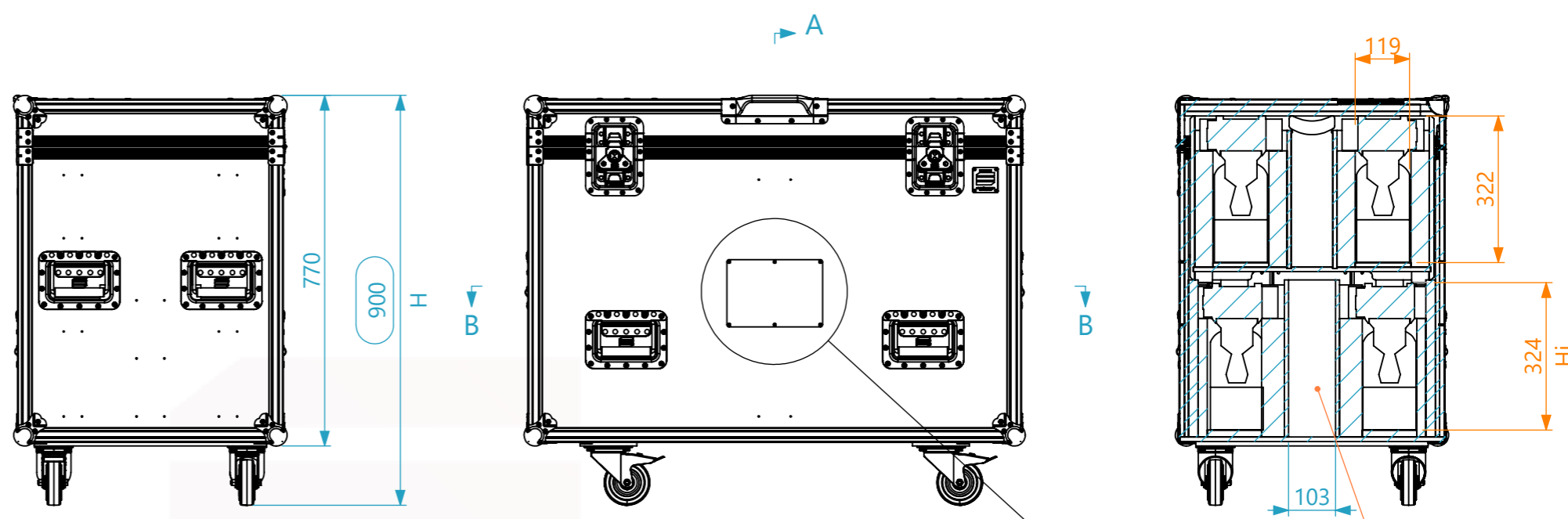
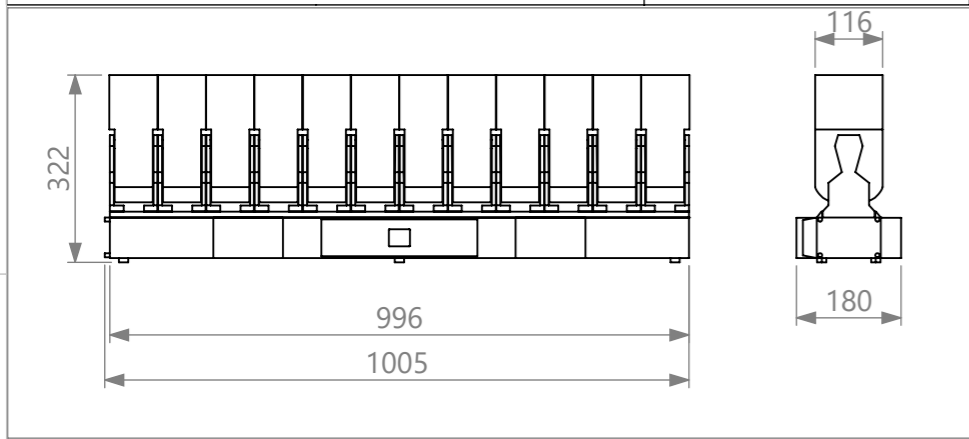


<b>Equipment</b>	Chauvet COLORado PXL CURVE Bar12	
<b>Width</b>	<b>Depth</b>	<b>Height</b>
1003	169	324
<b>Weight</b>	Approx. 34.5 Kg	
<b>Internal Dimensions</b>		
<b>Width</b>	<b>Depth</b>	<b>Height</b>
1006	120	322
<b>FC Weight</b>	Approx. 71.65 Kg	
<b>Wall Thickness</b>		10mm



General External Dimensions	
W	Width
D	Depth
H	Height
Usable Inner Dimensions	
Wi	Inside Width
Di	Inside Depth
Hi	Inside Height

<b>Name</b>	CarlaSilva	<b>Date</b>	26/03/2025
<b>Reference</b>	LSPL-CHVCRDPB12.04		
<b>Scale</b>	1:13	<b>units in mm</b>	DO NOT SCALE
<b>Scale</b>	1:13	<b>general tolerance</b>	0.8mm
1st Angle projection			



This drawing must not be copied or disclosed without consent of the owner

A3



Flight case PRO, 4x Chauvet COLORado PXL CURVE Bar12