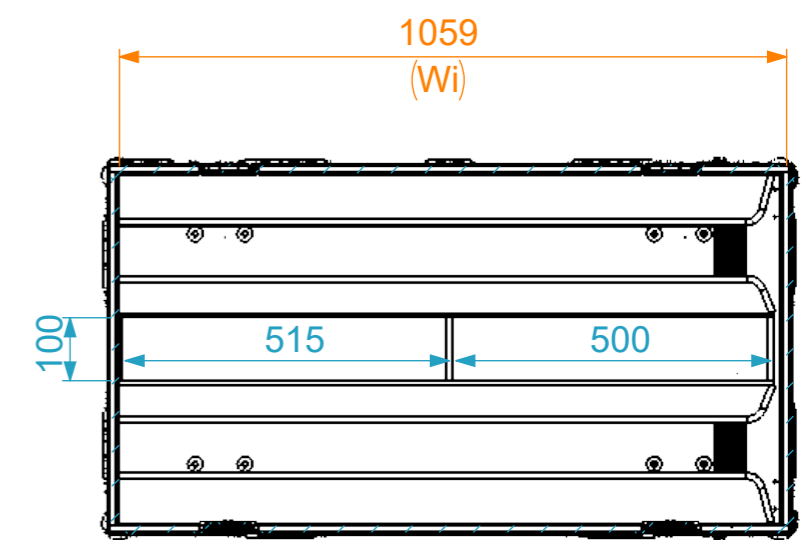
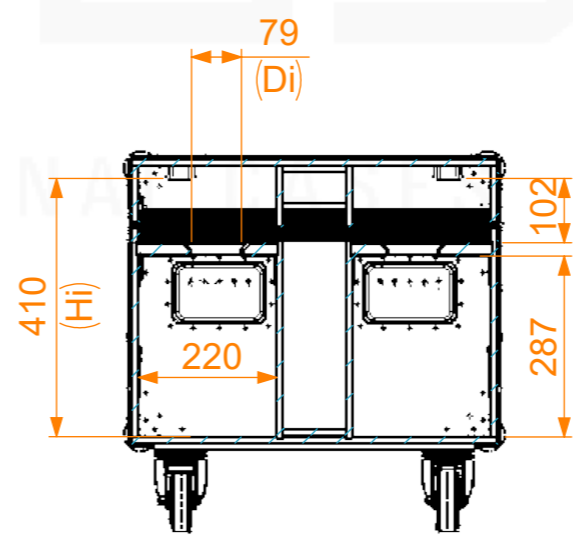
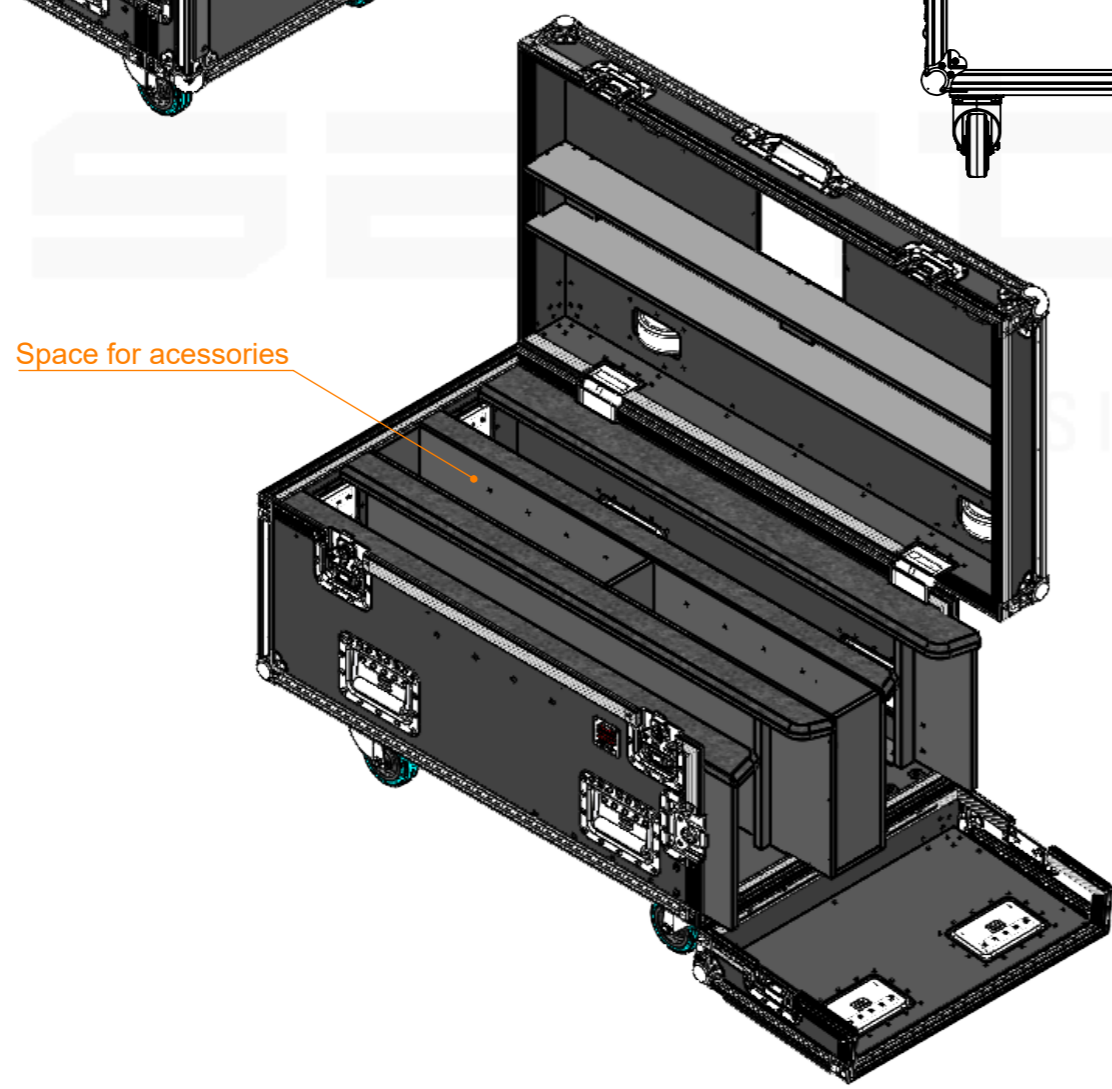
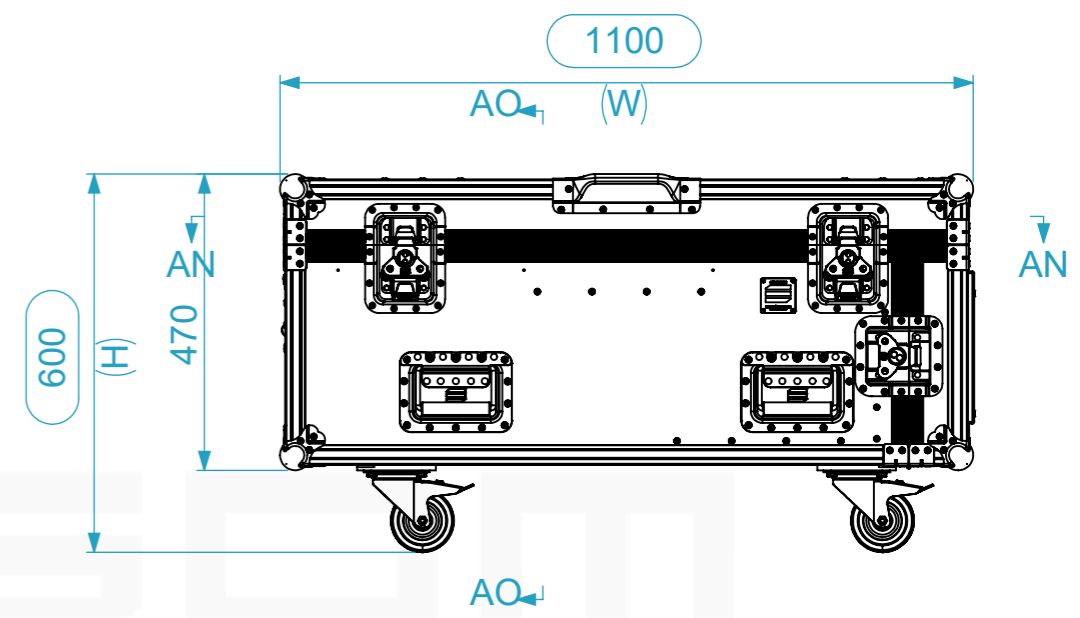
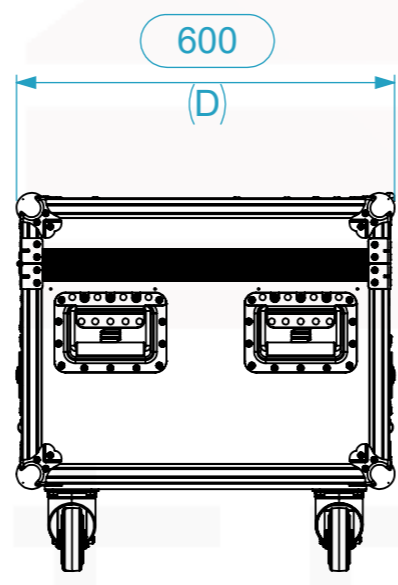
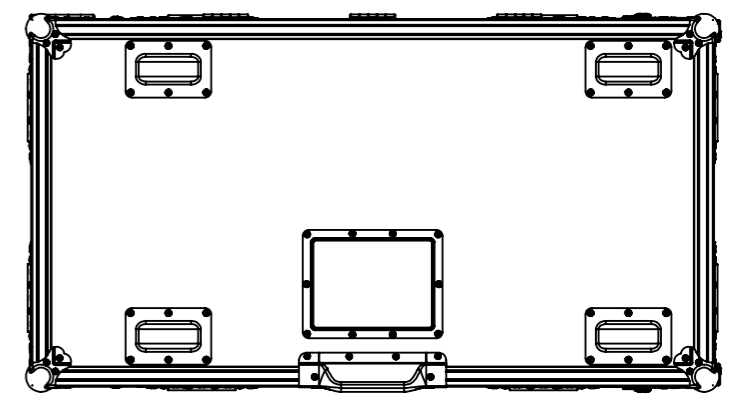
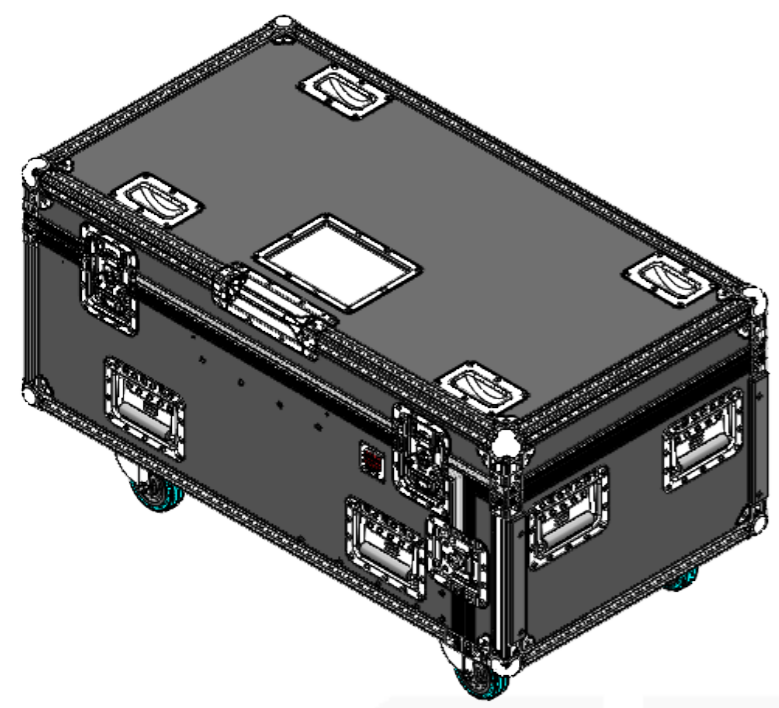


Internal Dimensions		
Width	Depth	Height
1059	79	410
Weight	Approx. 54 Kg	
Wall Thickness		10mm



AO-AO

AN-AN

Drawn by	Name	Date
rita.monteiro	rita.monteiro	04/05/2026
Reference	LSPL.1106047.02	
Scale	units in mm	general tolerance
1:12	DO NOT SCALE	0.8mm
FC PRO, 2x Spot (100x80x33)		



This drawing must not be copied or disclosed without consent of the owner



A3