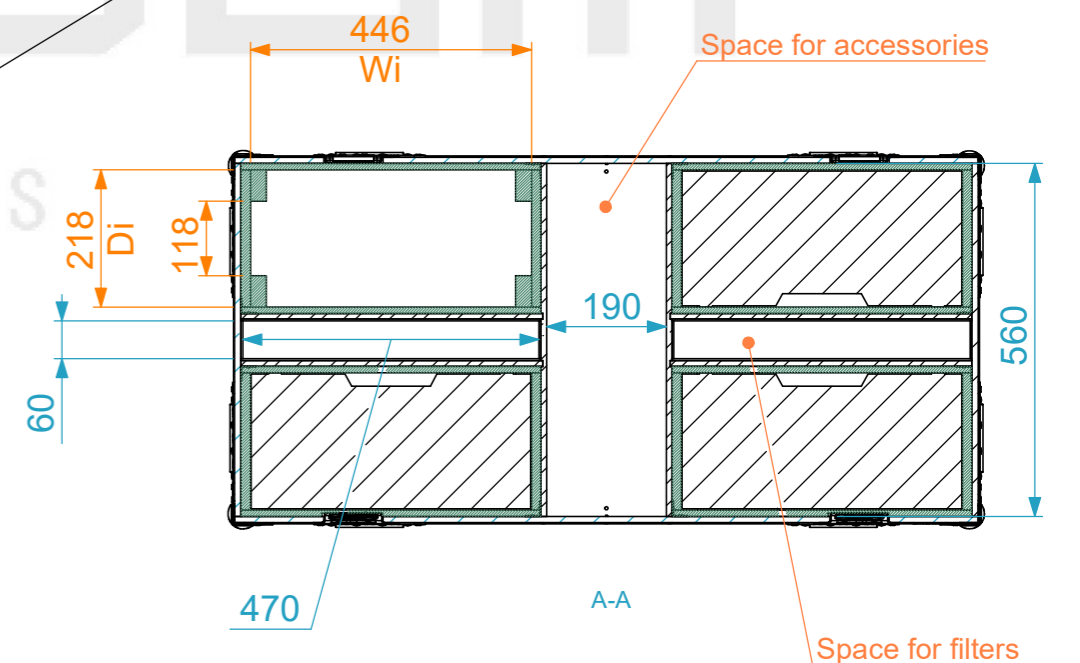
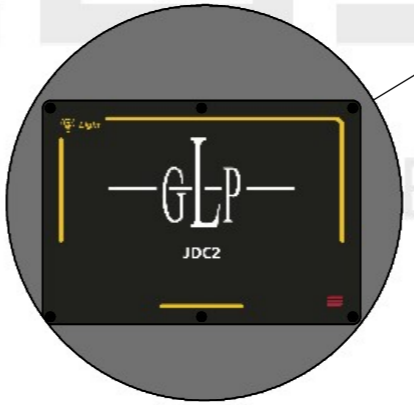
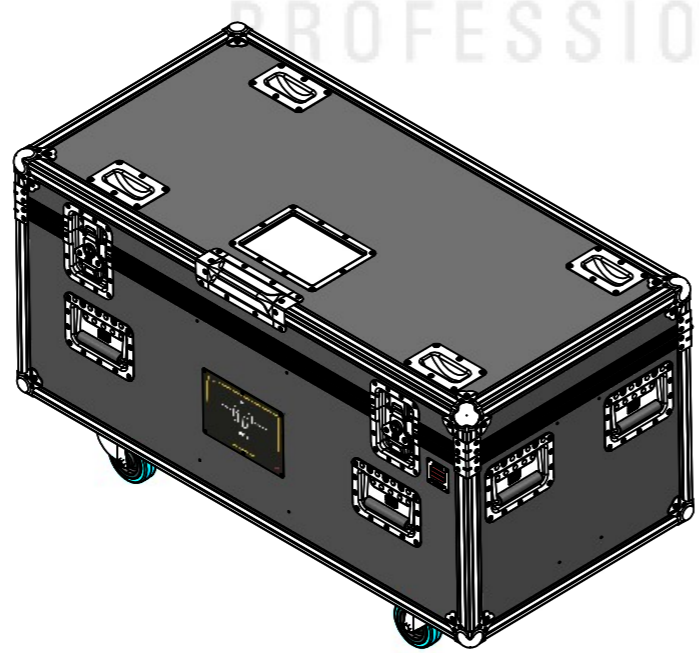
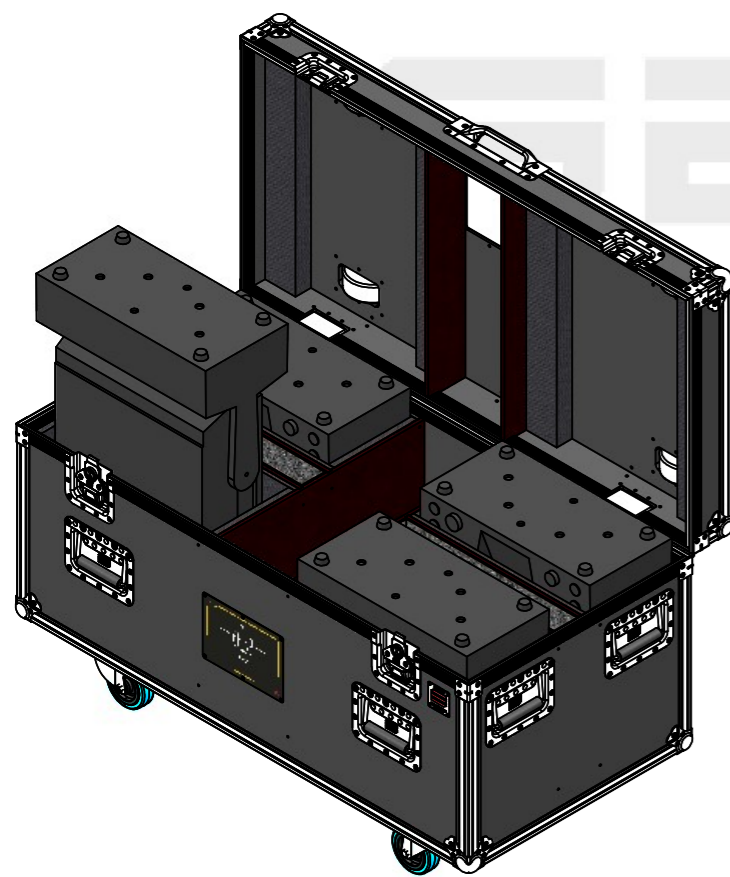
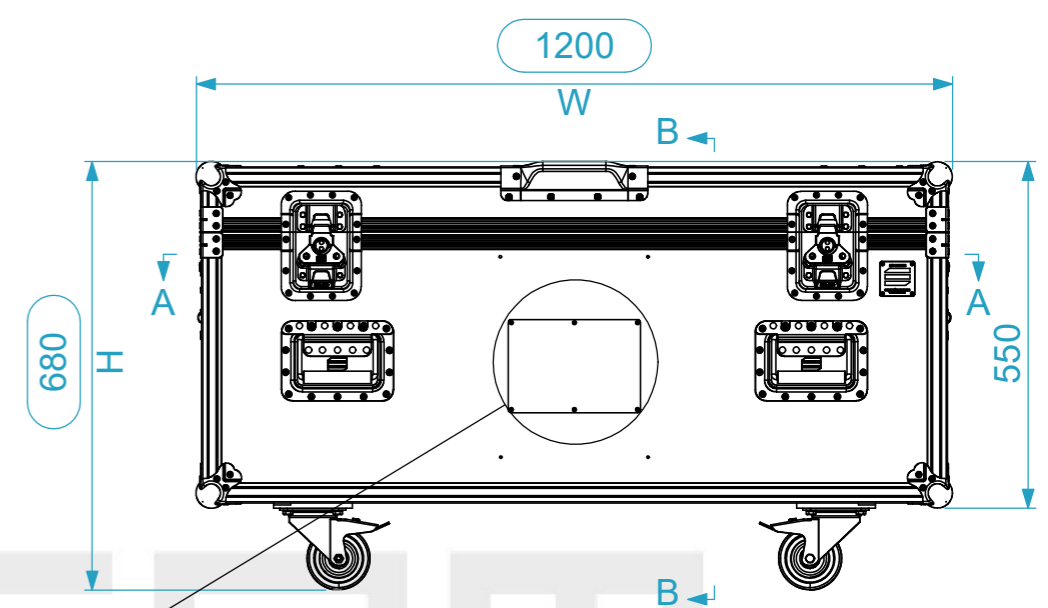
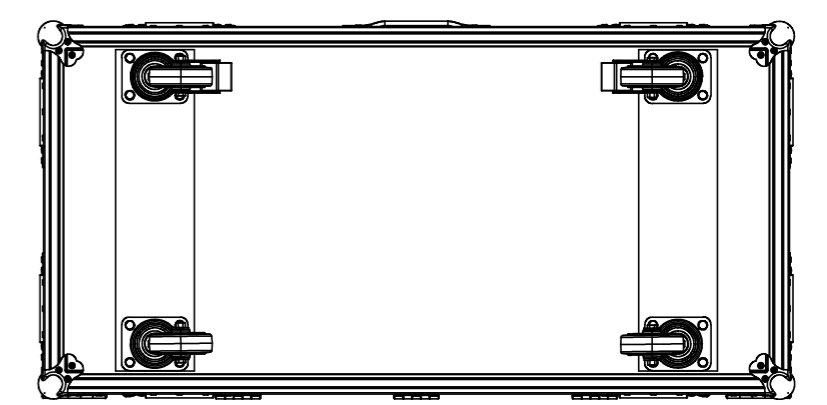
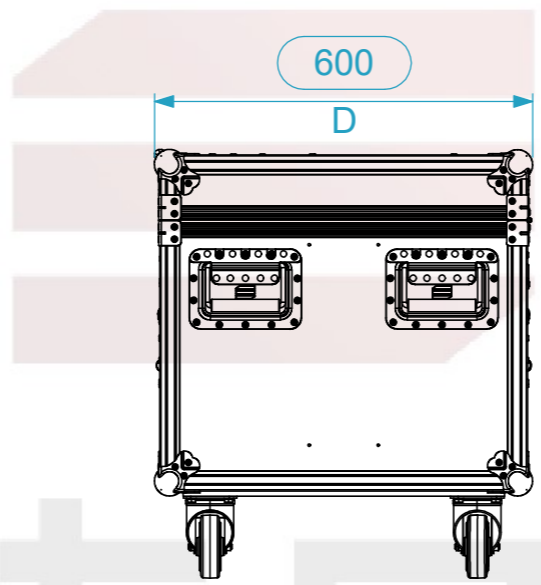
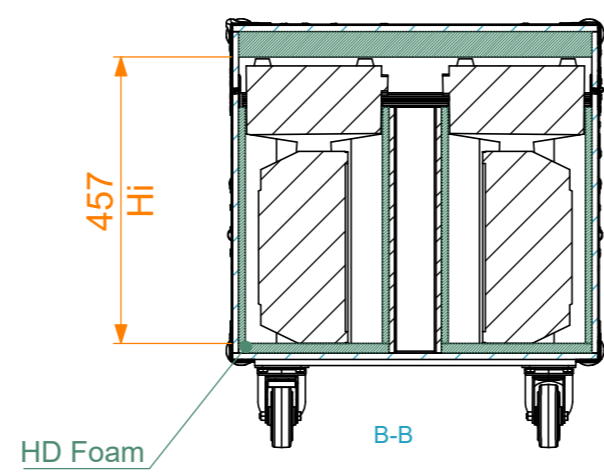
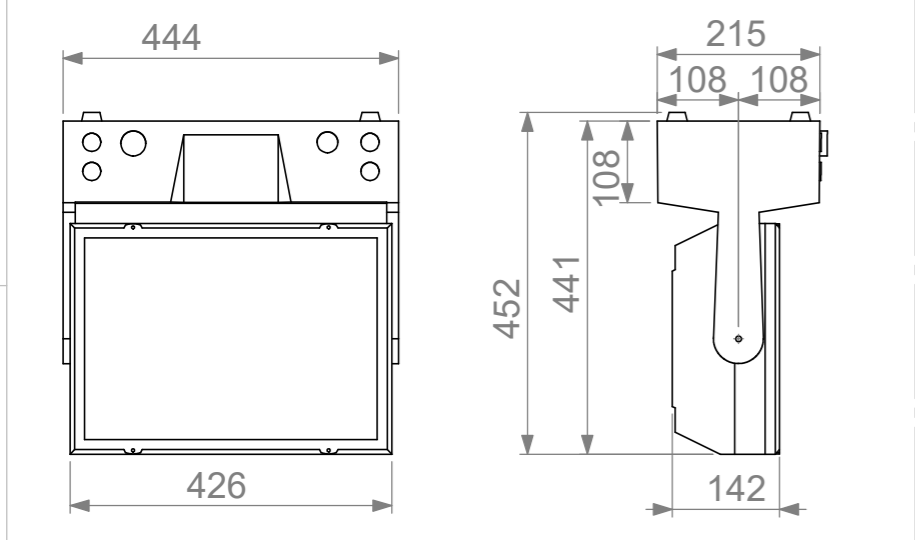


Equipment	GLP JDCII	
Width	Depth	Height
444	216	452
Weight	Approx. 23.5 Kg	
Internal Dimensions		
Width	Depth	Height
446	218	457
Weight	Approx. 49 Kg	
Wall Thickness	10 mm	



Usable Inner Dimensions (UID)		General External Dimensions	
Wi	Inside Width	W	Width
Di	Inside Depth	D	Depth
Hi	Inside Height	H	Height

This drawing must not be copied or disclosed without consent of the owner

Drawn by	Name	Date
catarina.silva	catarina.silva	29/03/2025
Reference	LSP4.GLPJDCII.04	
Scale	units in mm	general tolerance
1:12	DO NOT SCALE	0.8mm
1st Angle projection	Flight case PRO, 4x GLP JDCII	

