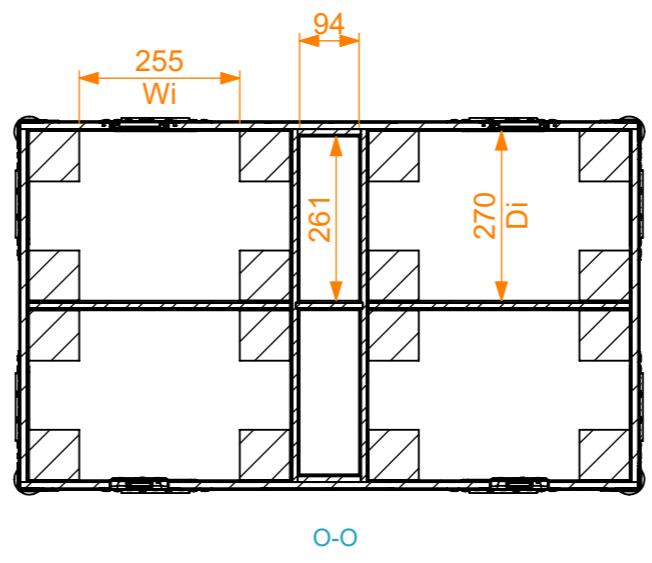
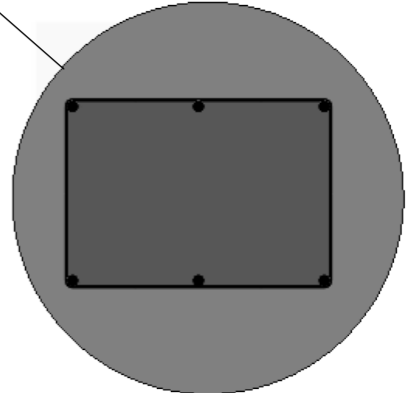
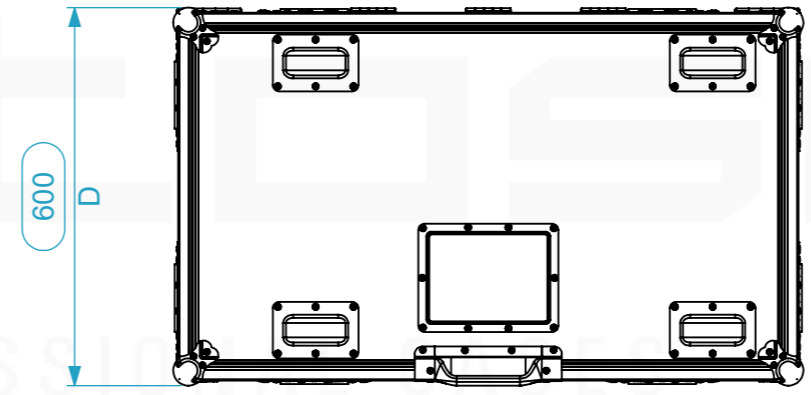
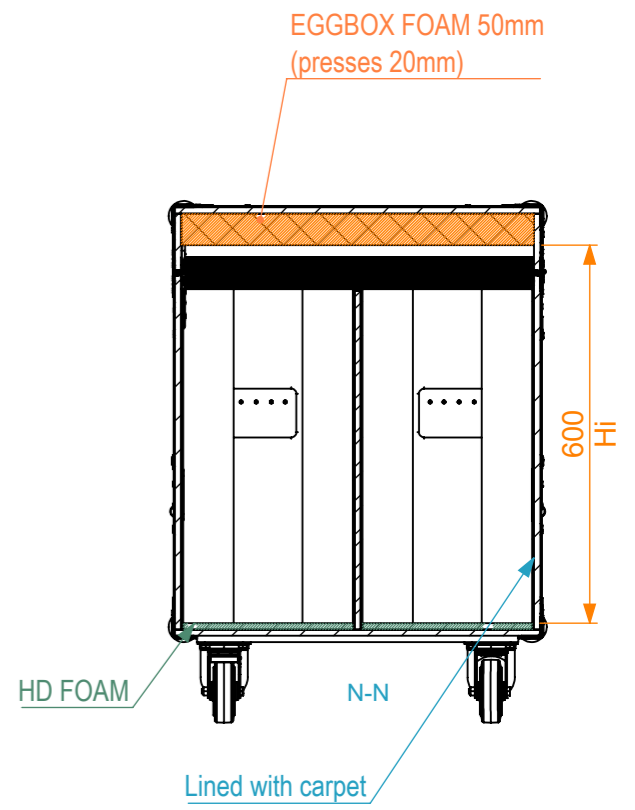
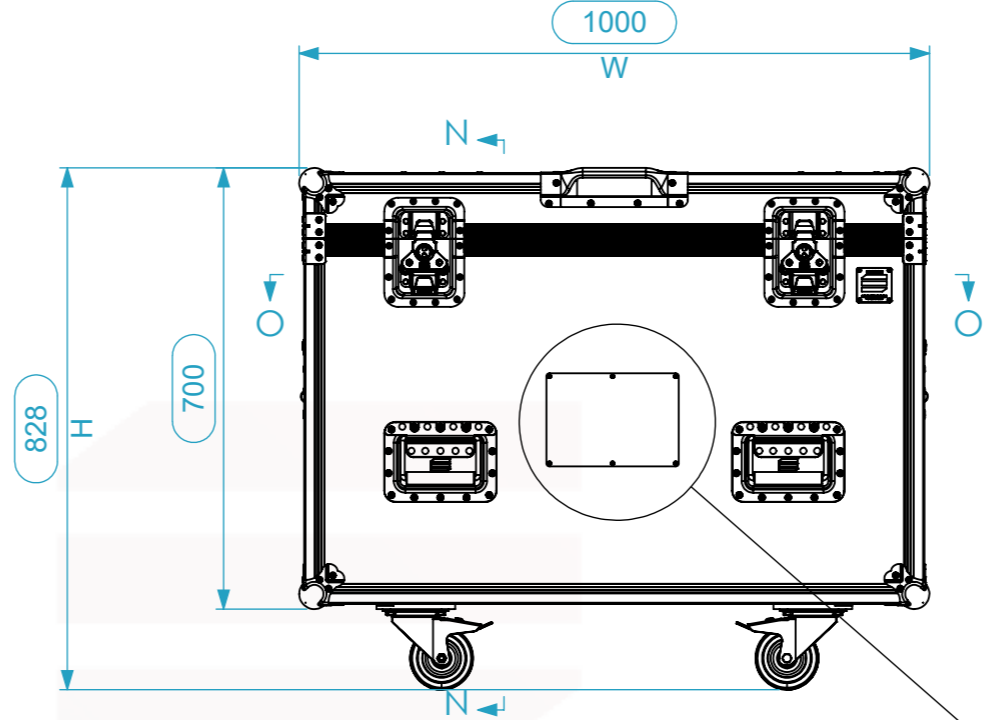
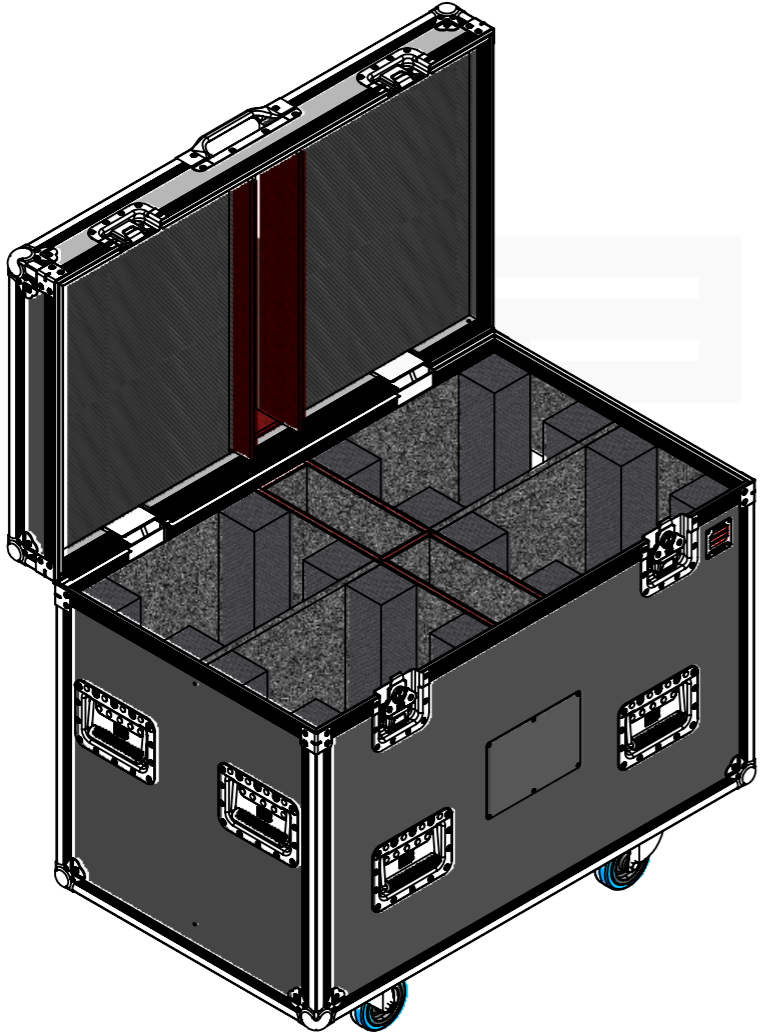


Equipment	BRITEQ BT-THEATRE 400TW w/ clamp	
Width	Depth	Height
336	259	461
Weight	Approx. 9 Kg	
Internal Dimensions		
Width	Depth	Height
255	270	600
Weight	Approx. 53.73 Kg	
Wall Thickness	10mm	



General External Dimensions	
W	Width
D	Depth
H	Height
Usable Inner Dimensions	
Wi	Inside Width
Di	Inside Depth
Hi	Inside Height

Name	CarlaSilva	Date	12/06/2023
Reference	LSP3.BTQBT400.04		
Scale	1:12	units in mm	general tolerance 0.8mm
1st Angle projection	Flight case PRO-3, 4x Briteq BT-THEATRE 400TW (Clamps on)		



This drawing must not be copied or disclosed without consent of the owner

A3