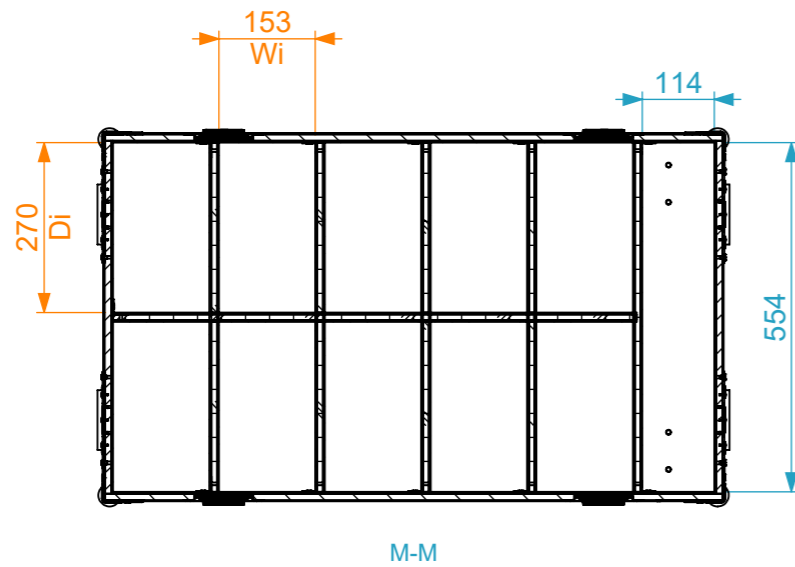
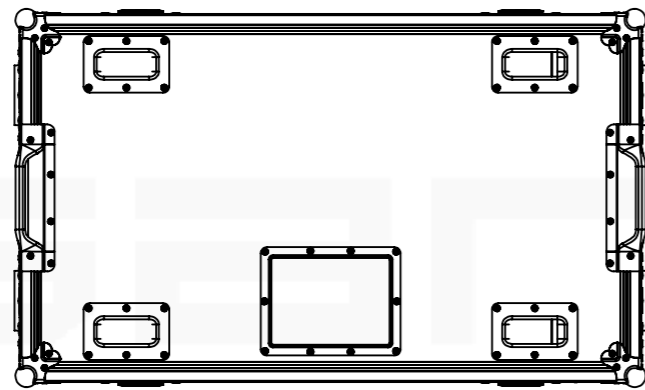
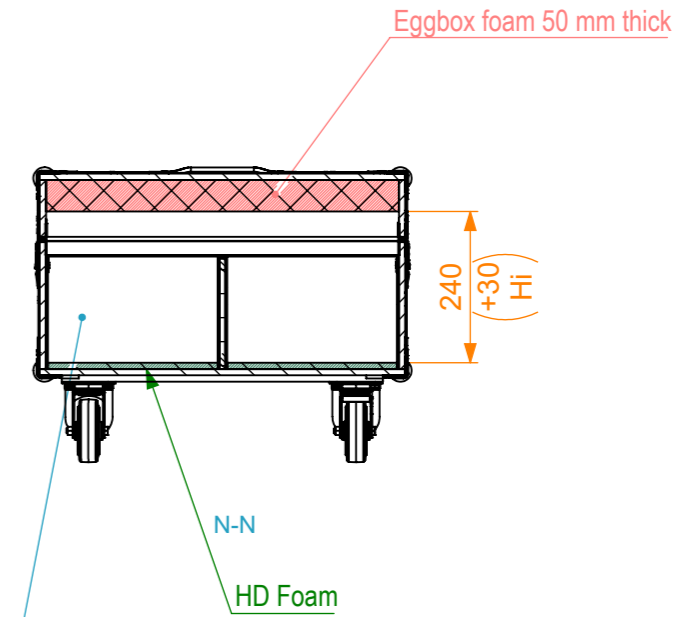
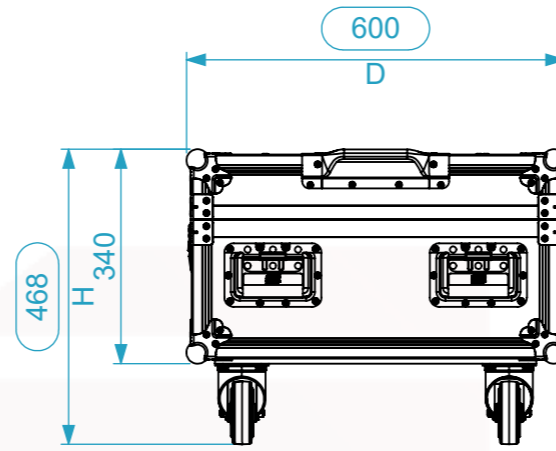
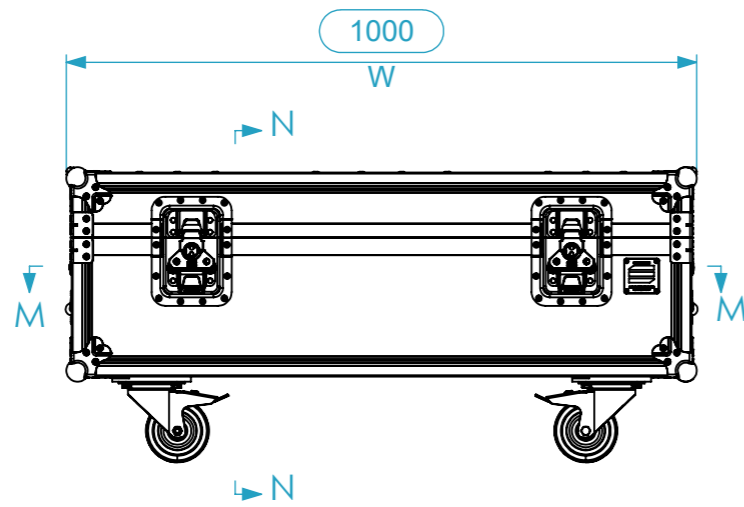
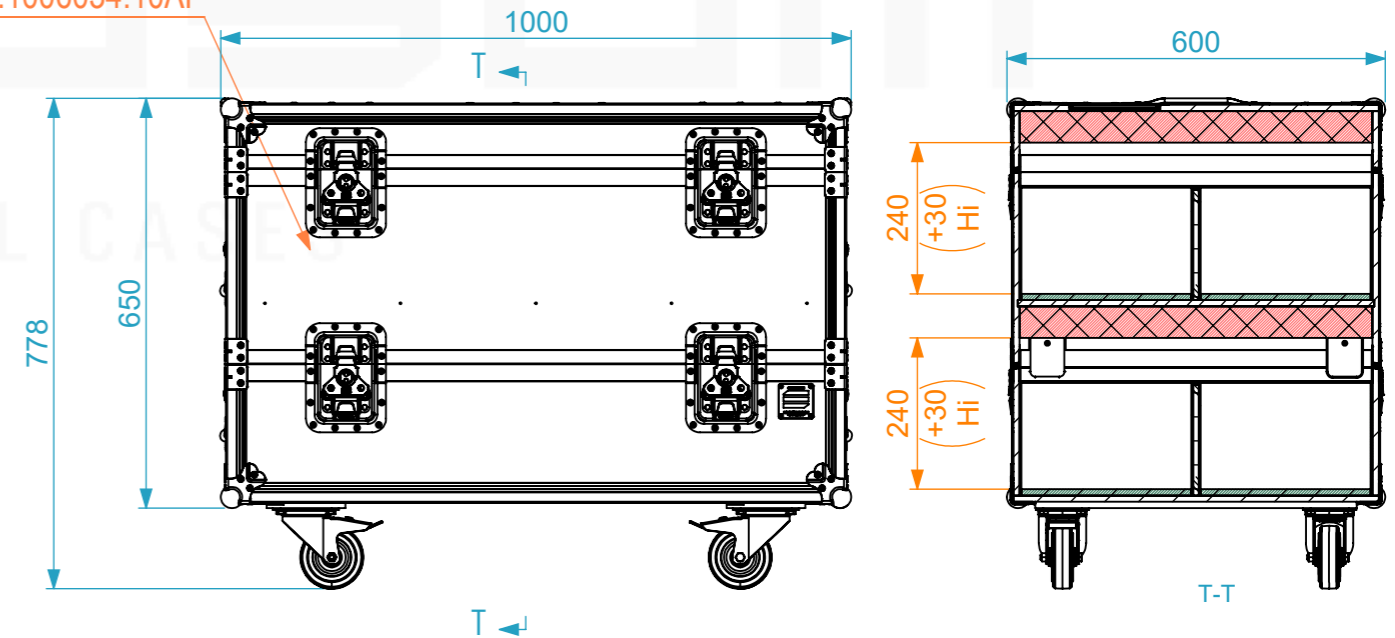


Internal Dimensions		
Width	Depth	Height
153	270	240
Weight	Approx. 32.40 Kg	
Wall Thickness	10mm	

General External Dimensions		Usable Inner Dimensions	
W	Width	Wi	Inside Width
D	Depth	Di	Inside Depth
H	Height	Hi	Inside Height



Optional:
LSP2S.1006034.10AP



Weight Total Approx. 53.73 Kg

Name	projects	Date	25/03/2022
Reference	LSP2S.1006034.10A		
Scale	1:12	units in mm	general tolerance 0.8mm
1st Angle projection	Flight case PRO-AS 10x Spot 2 (15x27x24 UID)		



This drawing must not be copied or disclosed without consent of the owner

A3